

CATALOG# : _____

PROJECT : _____

TYPE : _____

Series RRS

High Output Multi-Function LED Strips

This High Output Multi-Function LED strip offers a family of three different strips to meet a variety of applications in warehouses, retail and utility areas. Available in a cost effective and high output open strip version, a specially designed LED frosted lens version and a narrow focused reflector version. Each version is ideal for different applications and together make a perfect family of products for many industrial and back of house commercial applications. These fixtures can be surface or pendant mounted. Driver box hinges open for easy access to the driver without removing the lens or reflector. Consult for different finishes and different sizes.

CONSTRUCTION

Housing is die-formed and embossed code 22 gauge steel. Finish is high reflectance baked white enamel. Wiring knockouts are provided on back and end of housing. Ballast cover, reflector or lens attach without tools with hinged construction to simplify ballast access.

MOUNTING

Surface mount, chain hung, double stem.



Narrow Reflector



Open Strip



Frosted Lensed

DIMENSIONS

Frosted Lens

46L – 46"L x 2.925"W x 3.395"H

92L – 92"L x 2.925"W x 3.395"H

White Reflector

46L – 46"L x 4.70"W x 6.20"H

92L – 92"L x 4.70"W x 6.20"H

Open

46L – 46"L x 2.925"W x 1.778"H

92L – 92"L x 2.925"W x 1.778"H

FEATURES & BENEFITS

- 3 types of fixtures with one look: open, reflector and lensed
- Ideal for warehouse and back of house applications
- Reflector version is ideal for aisle lighting
- Easy to join for continuous run applications. Consult to add wiring harness
- Optional sensors and emergency drivers available
- 50,000 hours life to L70
- >80 CRI or 90CRI
- Consult for different finishes, asymmetrical reflector and special lengths
- 5 year warranty



Intertek





CATALOG#: _____
 PROJECT: _____
 TYPE: _____

Series RRS

High Output Multi-Function LED Strips

ORDER INFORMATION

Factory at your fingertips. Fill in the blanks to create your part number or create a custom configuration.

RRS

SERIES	LENS		LENGTH		WATTAGE* & LUMENS*		REFLECTOR		DRIVER		CCT/CRI**	
RRS	Blank	No Lens	46L	46"	Y28W2700L	28 Watts 2700 Lumens	Blank	No Refl.	DMV	0-10V Dimming Multivolt 120-277	30K	3000K 80 CRI
					Y48W4600L	48 Watts 4600 Lumens			W30	White reflector (Not available with lens option.)	D1MV	0-10V 1% Dimming Multivolt 120-277
	Y57W5400L	57 Watts 5400 Lumens	G120	120V 2 wire TRIAC dimming	40K	4000K 80 CRI						
	92L	92"			Y57W5400L	57 Watts 5400 Lumens	50K	5000K 80 CRI				
					Y96W9200L	96 Watts 9200 Lumens	930K	3000K 90 CRI				
			Y114W10400L	114 Watts 10400 Lumens	935K	3500K 90 CRI						
							940K	4000K 90 CRI				

WH

FINISH	OPTIONS	HANGING KIT OPTIONS
WH White	EM14 Emergency battery MDT4 On/off sensor MDD4 Daylight dimming sensor	HC301WH Cable kit with 4' Cable & 3 Wires Power Feed/ Cable Incl. and White Canopy
		HC302WH Cable kit with 12' Cable & 3 Wires Power Feed/ Cable Incl. and White Canopy
		HC3015WWH Cable kit with 4' Cable & 5 Wires Power Feed/ Cable Incl. and White Canopy
		HC3025WWH Cable kit with 12' Cable & 3 Wires Power Feed/ Cable Incl. and White Canopy
		2SCS24WH Two Stem kits with 24" Stem, Canopy and Mounting hardware for a 4' fixture
		GT310 Gripple style cable kit

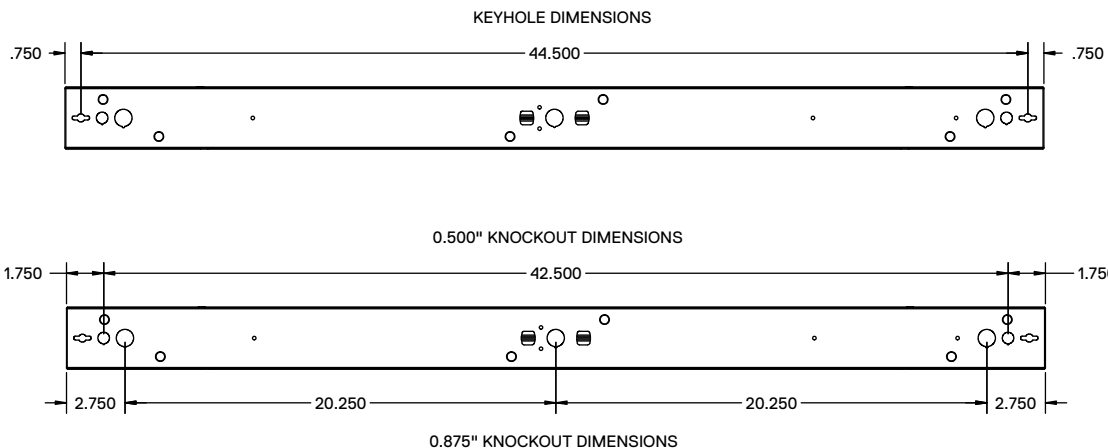
*Programmable LED drivers allow custom configured wattages and corresponding lumens.

** Consult factory for 90 CRI 5000K availability.

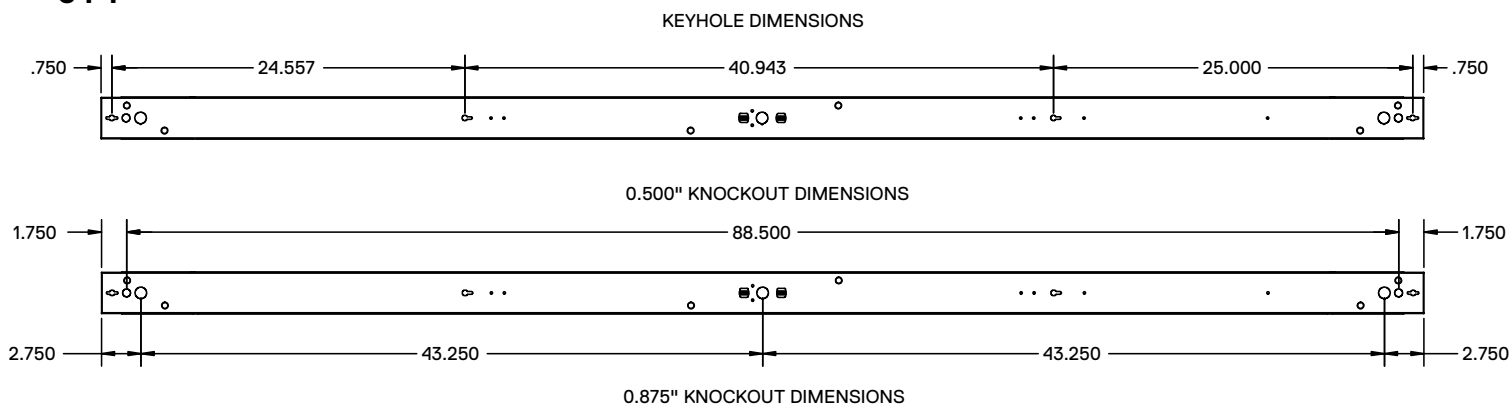
NOTE: Values shown are typical or recorded under standardized conditions at 25°C. Actual performance may vary based environment or application. Specifications are subject to change without notice. We reserve the right to change design, materials, LED's and finish in any way that will not alter installed appearance or reduce function and performance.

DRAWINGS & IMAGES

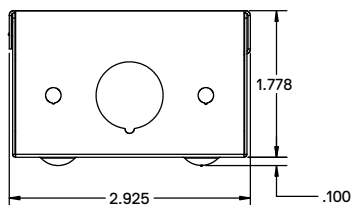
4 FT



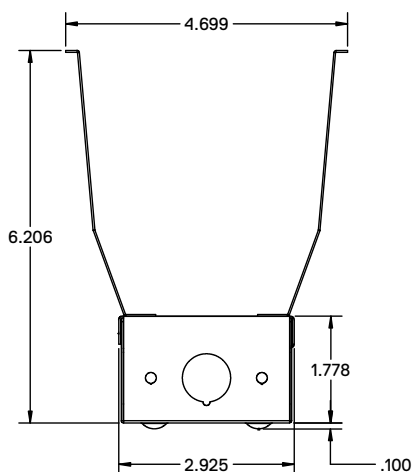
8 FT



Open Strip End View



Reflector End View



Lens End View

