



JOB NAME:

CAT#:

TYPE:

### APPLICATIONS

Typical applications for the 155SWR SmartSense Series include stairwells, open office cubicles, offices, conference rooms, restrooms and hallways. This technology also provides superior detection in hard surfaced areas, such as stairwells and hallways. Bi-level lighting control is available and can result in even more energy savings for fixtures that are on 24/7, while still providing the light needed for safety and egress.

Housing is die-formed and embossed code 22 gauge steel. Standard finish is high reflectance baked white enamel; custom finishes are available as an option. Wiring knockouts are provided on back of housing. The frosted lens is fully captured by the end plate. Custom finishes and Emergency backup available. Contact factory for custom options.  $cETL_{us}$  Listed for damp locations. Min CRI 82.

**SIZE: H x W in inches**

155SWR-24 3.5" Deep x 4.5" Tall x 24.25" Long  
155SWR-48 3.5" Deep x 4.5" Tall x 46.25" Long

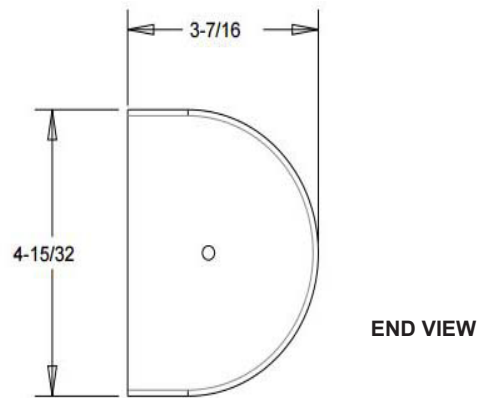
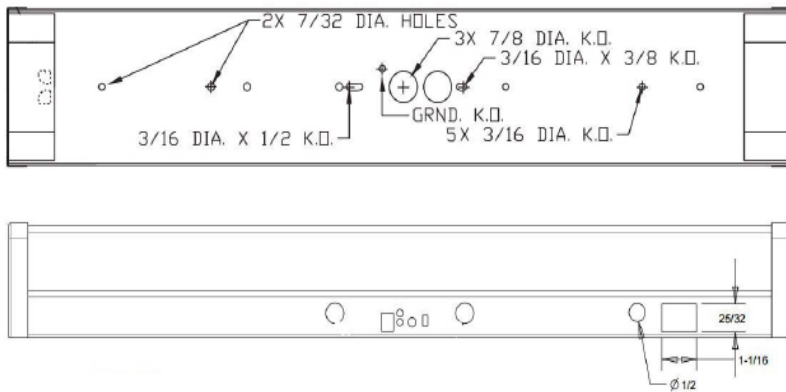


Ultrasonic technology for open area detection with line-of-sight obstructions.

### FEATURES & BENEFITS

- Includes Ultrasonic Smart Sensor

### DIMENSIONS



Dimensions and specifications subject to change without notice.





**JOB NAME:**

**CAT#:**

**TYPE:**

**ORDERING**

EXAMPLE: 155SWR 24 LED 14 DMV 40

155SWR		LED	DMV				
1. SERIES	2. SIZE	3. GEAR	4. WATTAGE/LUMENS	5. DRIVER	6. COLOR TEMP	7. EM (O) <sup>1</sup>	
155SWR	24 24"	LED	<u>2 Ft.</u>		DMV 120-277V Multivolt 0-10V Dimmable	30 3000K	EM 10 Watts, 1600 Lumens Battery Backup EM5 5W, 650 Lumens Battery Backup
	48 48"		14 14 Watts 1400 Lumens	35 3500K			
			27 27 Watts 2700 Lumens	40 4000K			
			<u>4 Ft.</u>	50 5000K			
			36 36 Watts 3600 Lumens				
		57 57 Watts 5700 Lumens					

**8. UNOCCUPIED SETTINGS (O)<sup>1</sup>**

- 10 10%
- 20 20%
- 30 30%
- 40 40%
- 50 50%
- 60 60%
- 70 70%
- 80 80%
- 90 90%

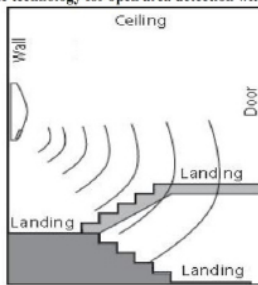
**ABOUT SMARTSENSE**

Our popular 155SWR series linear LED fixtures come standard with integral ultrasonic occupancy sensor to sense motion within a space and automatically turns on lights even when the sensor has no direct line of sight to occupants. After the area is vacated and the time delay has elapsed, the sensors automatically dim the lights. Ultrasonic detection operates by transmitting sound waves throughout an area and measuring the speed at which they return. Movement increases the return frequency, which triggers occupancy. Mobern Lighting's Ultrasonic smartensors provide functions for testing, time delay and overriding the fixture "ON".

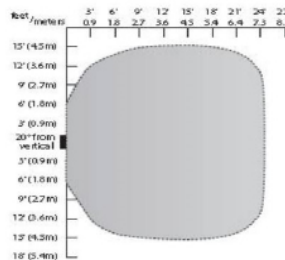
**APPLICATIONS FOR SMART SENSE**

Typical applications for this SmartSense Series include stairwells, open office cubicles, offices, conference rooms, restrooms and hallways. This technology also provides superior detection in hard surfaced areas, such as stairwells and hallways. Bi-level lighting can result in up to 66% energy savings for fixtures that are on 24-hours a day, seven days a week while still providing enough light for safety and egress.

Ultrasonic technology for open area detection with line-of-sight obstructions.



**WIRING & COVERAGE**



**FEATURES**

- Time Delay: 5 to 30 minutes
- Coverage at 8' height, 24' diameter

**Notes:**

<sup>1</sup>(O) is optional

Dimensions and specifications subject to change without notice.

