



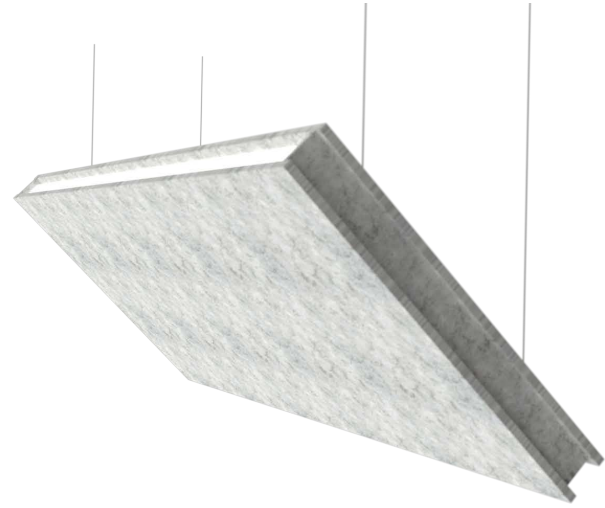
JOB NAME:

CAT#:

TYPE:

### APPLICATIONS

Take control of your noise level with Mobern's Acoustic Angled Linear Baffle. This unique fixture offers a seamless transition between walls and ceilings. Classic linear LEDs are coupled with modern acoustic technology to create un-invasive, directional lighting that reduces noise pollution. Arrange side by side in a continuous run to dampen sound in lengthy hallways, or around the edges of an open office space. Custom angling and color options make the Angled Baffle a perfect fit for any interior style.



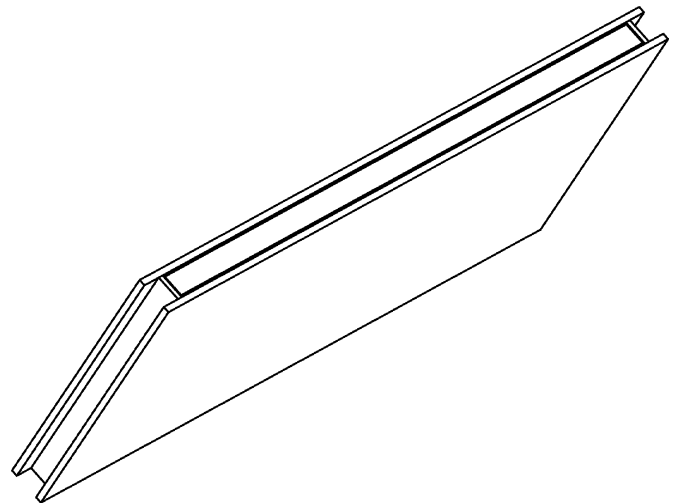
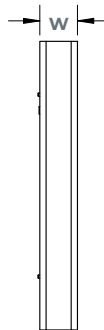
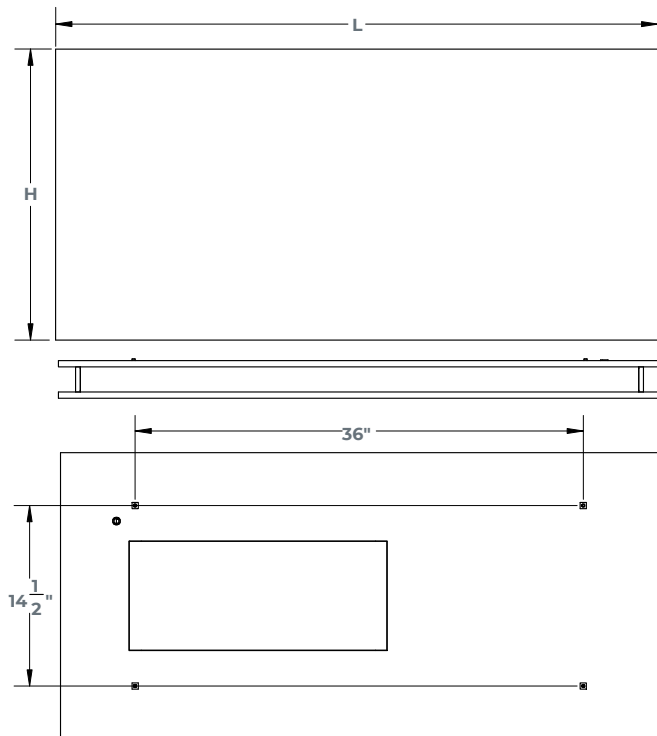
### FEATURES & BENEFITS

- 30+ acoustic material color options available
- Pendant mount accommodates most ceiling types
- CRI >80
- >50,000 hrs of L70 LED life
- Rated for dry and damp locations
- 0-10 Volt dimmable 120-277V
- Power factor >0.90
- 5 year warranty

### DIMENSIONS

Part	L	H	W
LABA24	24"	12",16",24"	3"
LABA48	48"	12",16",24"	3"
LABA72	72"	12",16",24"	3"
LABA96	96"	12",16",24"	3"

L = Length  
W = Width  
H = Height



Dimensions and specifications subject to change without notice.







JOB NAME:

CAT#:

TYPE:

## ACOUSTIC MATERIAL COLOR OPTIONS



07 - White



44 - Ivory



42 - Cream



52 - Latte



02 - Taupe



53 - Smoky  
Beige



09 - Deep  
Blue



21 - Indigo  
Blue



19 - Denim



56 - Azure



30 - Blue



18 - Arctic Ice



54 - Espresso



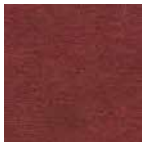
49 - Brunette



35 - Speckled  
Earth



43 - Lava



36 - Berry



45 - Big Red



55 - Tangerine



41 - Marigold



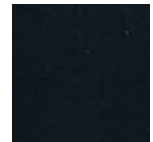
50 - Caramel



51 - Sunkist  
Orange



22 - Yellow



10 - True  
Black



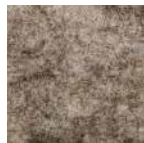
17- Dark  
Gray



11 - Steel



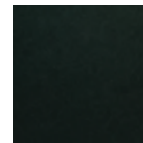
34 - Pure  
Gray



06-12-City  
Brown



03-12-  
Light Gray



47 - Emerald



05 - Dark  
Green



12 - Moss



39 - Green  
Apple



48 - Avocado



08 - Eggplant

Dimensions and specifications subject to change without notice.