



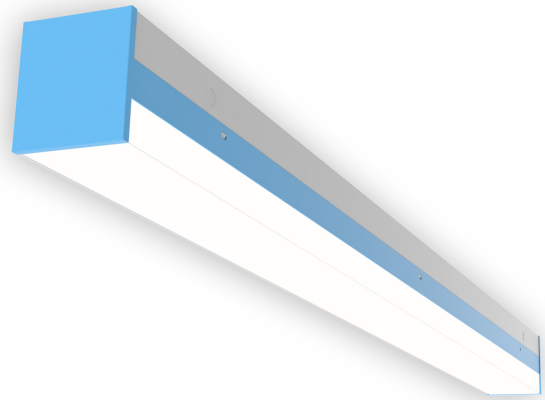
JOB NAME:

CAT#:

TYPE:

APPLICATIONS

Make a bold, vibrant statement with the Trio Series' full body micro-silhouette that features a minimal design footprint but a lot of illumination. Its dropped frosted diffuser surrounds its scaled LED modules to offer elegant, soft lighting for a multitude of applications. Fixtures can be utilized as stand-alone luminaires or in a connected series, either surface mounted, wallmounted, or pendant mounted. To create a more unique look, use your own custom colors or choose from many standard powder coated finishes.



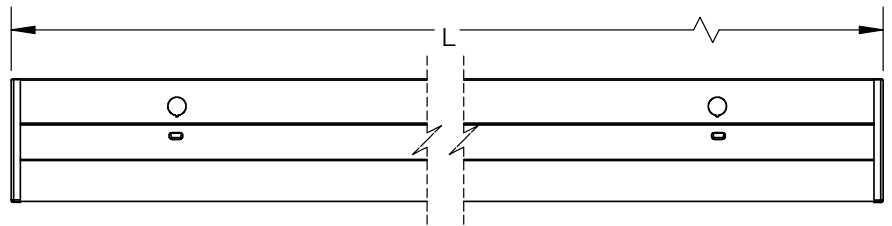
FEATURES & BENEFITS

- Available in custom finishes (consult factory)
- Fixtures can be surface mounted to the wall or ceiling or pendant hung by engineered hanging kit
- cETL_{US} listed for damp locations up to 90 watts
- L₇₀ > 50000 hrs.
- Min CRI 80
- PL3D comes standard (fixture to fixture wiring options for power and dimming)
- 5 year warranty

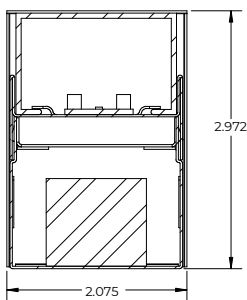
DIMENSIONS

Part	L	X	Y
LS2/LS3P24	24"	2.75"	3.27"
LS2/LS3P36	36"	2.75"	3.27"
LS2/LS3P48	48"	2.75"	3.27"
LS2/LS3P96	96"	2.75"	3.27"

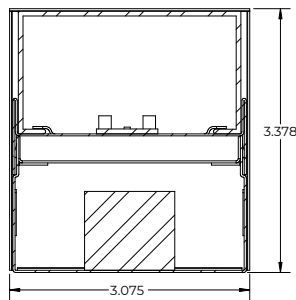
L = Length
X = Knock Out Distance
Y = Hanging Kit Distance



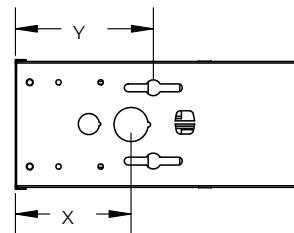
LS2 Side View



LS3 Side View



Pendant/Surface Mount



Dimensions and specifications subject to change without notice.





JOB NAME:

CAT#:

TYPE:

ORDERING

EXAMPLE: LS2 P 24 LED 14 DMV BK FR 30 EM SS GT310

LS2		P		LED								
1. SERIES	2. MOUNTING	3. LENGTH		4. GEAR	6. WATTAGE/LUMENS ¹		7. DRIVER		8. FINISH ²		9. LENS	
LS2	P Pendant	24	24"	LED	<u>24 in.</u>		DMV	120-277V Multivolt	BK	Black	FR	Frosted Acrylic Lens (85% transmission)
		36	36"		14	14 Watts 1700 Lumens			SI	Silver		
		48	48"		22	22 Watts 2600 Lumens	SDMV	Step dimming Multivolt	WH	White		
		96	96"		<u>36 in.</u>							
					21	21 Watts 2550 Lumens						
					33	33 Watts 3900 Lumens						
					<u>48 in.</u>							
					28	28 Watts 3400 Lumens						
					44	44 Watts 5200 Lumens						
					<u>72 in.</u>							
					42	42 Watts 5100 Lumens						
					66	88 Watts 7800 Lumens						
					<u>96 in.</u>							
					56	56 Watts 6800 Lumens						
					88	88 Watts 10400 Lumens						

10. CRI		11. COLOR TEMP ³		8. FLAIR ⁴		12. EM (O) ⁷		13. SENSOR ⁶ (O) ⁷		14. HANGING KIT (O) ⁷		15. CONFIGURATION	
Blank	80	30	3000K	RD	Red	EM14	14W Emergency	SS	Integral Occupancy Sensor	GT310	GT310 cable kit with (2) 10' cables	Blank	Individual
9	90	35	3500K	BL	Blue		Battery Backup ⁵	SSD	Daylight Harvesting Occupancy	GT315	GT315 cable kit with (2) 15' cables	-B	Beginner Run
		40	4000K	BK	Matte Black							-E	Ender Run
		50	5000K									-J	Joiner Run

Notes:

¹Minimum fixture wattage of 10W. Minimum 5W per fixture foot, maximum 20.5W per fixture foot. Programmable LED drivers allow custom configured wattages and corresponding lumens. Power feed cable is 18 AWG, a power drop will be required every 48 feet of fixture length OR every 800W, whichever comes first.

²Finish refers to the color of the driver cover portion of the fixture body.

³Consult factory for 90CRI and 5000K availability.

⁴Flair refers to the end caps and middle stripe of the fixture body.

⁵EM backup integrated in fixtures 4' and longer

⁶Sensors are not integrated and add approx. 3 inches to overall fixture length. Adding a sensor to an existing fixture requires rewiring.

⁷(O) is optional

ACCESSORIES

C15WH 15' 3 wires 18-gauge power cord

C515WH 15' 5 wires 18-gauge power cord

HC4015WWH 4ft White Canopy Kit with 5 Wire Cord

HC4016WWH 4ft White Canopy Kit with 6 Wire Cord

HC4025WWH 12ft White Canopy Kit with 5 Wire Cord

HC4026WWH 12ft White Canopy Kit with 6 Wire Cord

Dimensions and specifications subject to change without notice.



JOB NAME:

CAT#:

TYPE:

ORDERING

EXAMPLE: LS3 P 24 LED 20 DMV BK FR 30 EM SS GT310

LS3		P		LED									
1. SERIES	2. MOUNTING	3. LENGTH		4. GEAR	5. WATTAGE/LUMENS ¹		6. DRIVER		7. FINISH ²		8. LENS		
LS2	P Pendant	24	24"	LED	24 in.		DMV	120-277V Multivolt	BK Black	FR Frosted	SI Silver WH White	FR Frosted Acrylic Lens (85% transmission)	
	SM Surface Mount	36	36"		20	20 Watts 2500 Lumens							
		48	48"		41	41 Watts 5000 Lumens							
		96	96"		36 in.		SDMV	Step dimming Multivolt					
					28	28 Watts 3000 Lumens							
					45	45 Watts 4000 Lumens							
					48 in.								
					41	41 Watts 5000 Lumens							
					82	82 Watts 10000 Lumens							
					72 in.								
			56	56 Watts 6000 Lumens									
			90	90 Watts 8000 Lumens									
			96 in.										
			82	82Watts 10000 Lumens									
			164	164 Watts 20000 Lumens									

9. CRI		10. COLOR TEMP ³		11. FLAIR ⁴		12. EM (O) ⁷		13. SENSOR ⁶ (O) ⁷		14. HANGING KIT (O) ⁷		15. CONFIGURATION	
Blank 80	30 3000K	BK Black	EM14 14W Emergency Battery Backup ⁵	SS Integral Occupancy Sensor	GT310 GT310 cable kit with (2) 10' cables	Blank Individual							
9 90	35 3500K	SI Silver											
	40 4000K	WH White											
	50 5000K												
				SSD Daylight Harvesting Occupancy	GT315 GT315 cable kit with (2) 15' cables	-B Beginner Run							
						-E Ender Run							
						-J Joiner Run							

Notes:

¹Minimum fixture wattage of 10W. Minimum 5W per fixture foot, maximum 20.5W per fixture foot. Programmable LED drivers allow custom configured wattages and corresponding lumens. Power feed cable is 18 AWG, a power drop will be required every 48 feet of fixture length OR every 800W, whichever comes first.
²Finish refers to the color of the driver cover portion of the fixture body.
³Consult factory for 90CRI and 5000K availability.
⁴Flair refers to the end caps and middle stripe of the fixture body.
⁵EM backup integrated in fixtures 4' and longer
⁶Sensors are not integrated and add approx. 3 inches to overall fixture length. Adding a sensor to an existing fixture requires rewiring.
⁷(O) is optional

ACCESSORIES

- C15WH** 15' 3 wires 18-gauge power cord
- C515WH** 15' 5 wires 18-gauge power cord
- HC4015WWH** 4ft White Canopy Kit with 5 Wire Cord
- HC4016WWH** 4ft White Canopy Kit with 6 Wire Cord
- HC4025WWH** 12ft White Canopy Kit with 5 Wire Cord
- HC4026WWH** 12ft White Canopy Kit with 6 Wire Cord

Dimensions and specifications subject to change without notice.



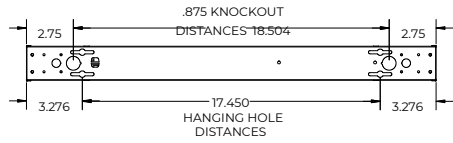
JOB NAME:

CAT#:

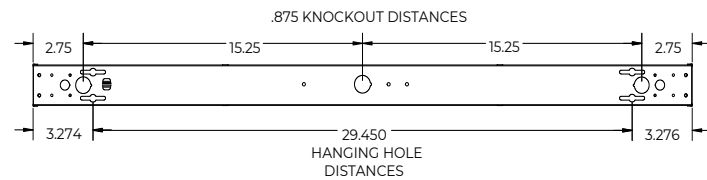
TYPE:

DIMENSIONS

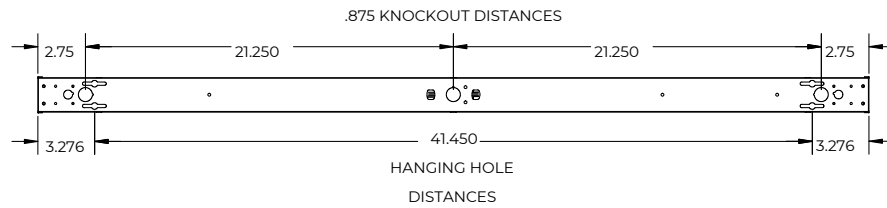
LS2P24



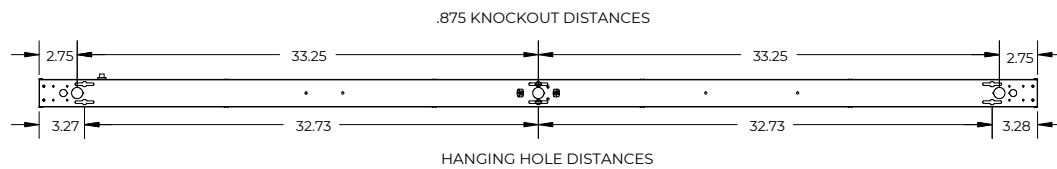
LS2P36



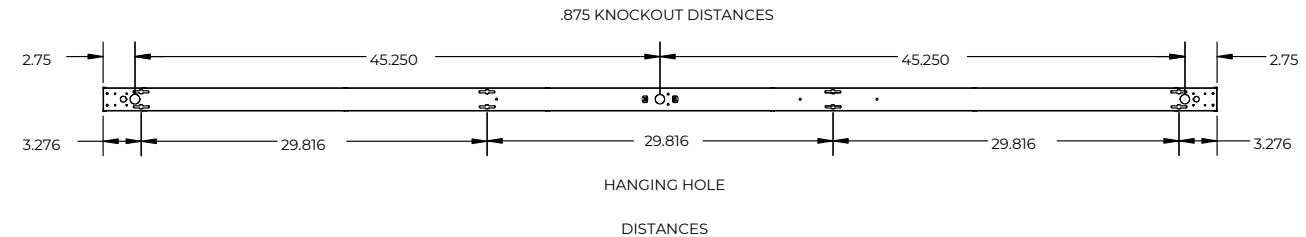
LS2P48



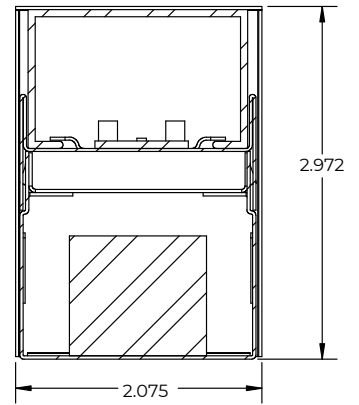
LS2P72



LS2P96



LS2 Side View



Dimensions and specifications subject to change without notice.



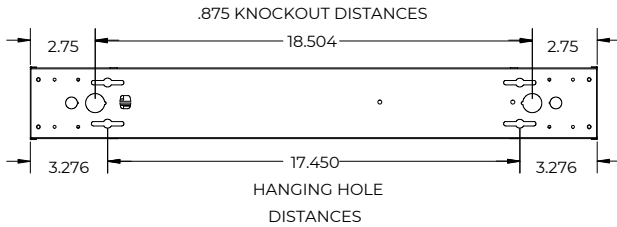
JOB NAME:

CAT#:

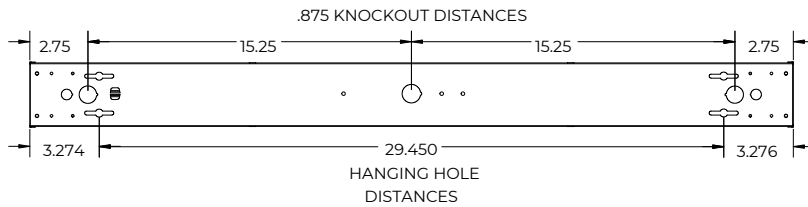
TYPE:

DIMENSIONS

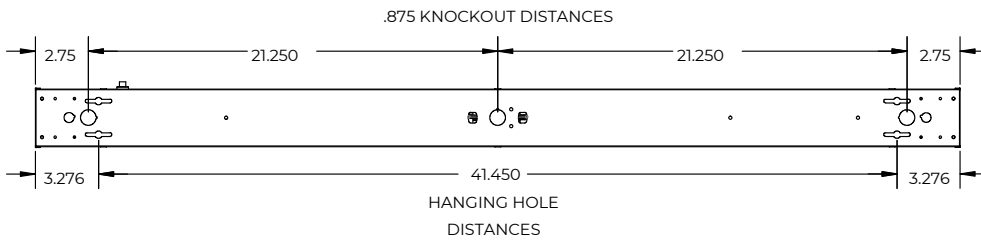
LS3P24



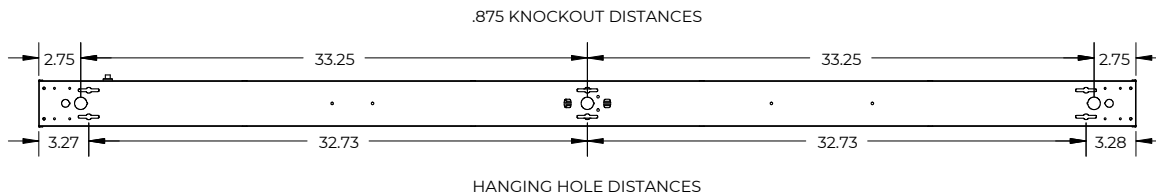
LS3P36



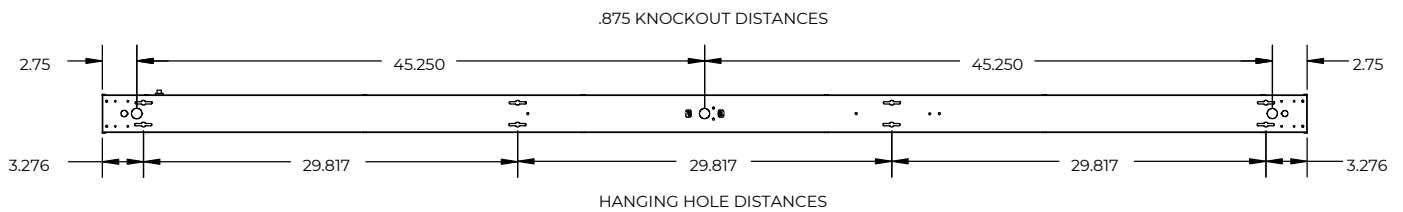
LS3P48



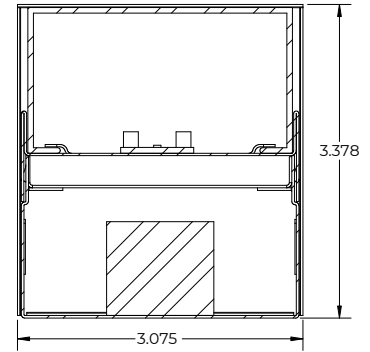
LS3P72



LS3P96



LS3 Side View



Dimensions and specifications subject to change without notice.



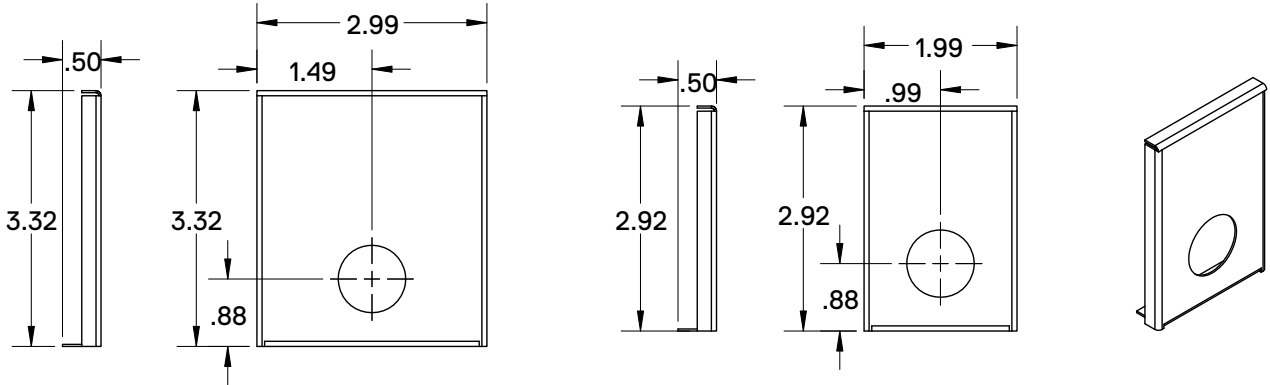
JOB NAME:

CAT#:

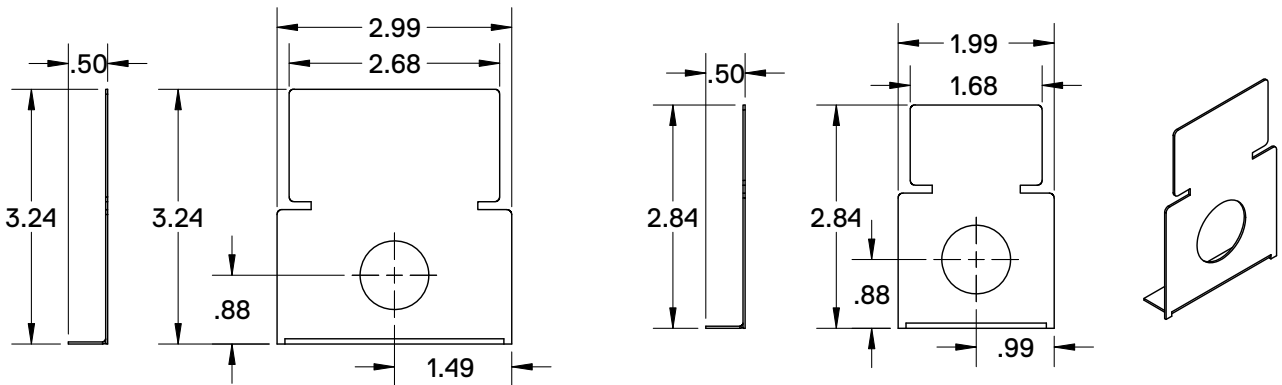
TYPE:

DIMENSIONS

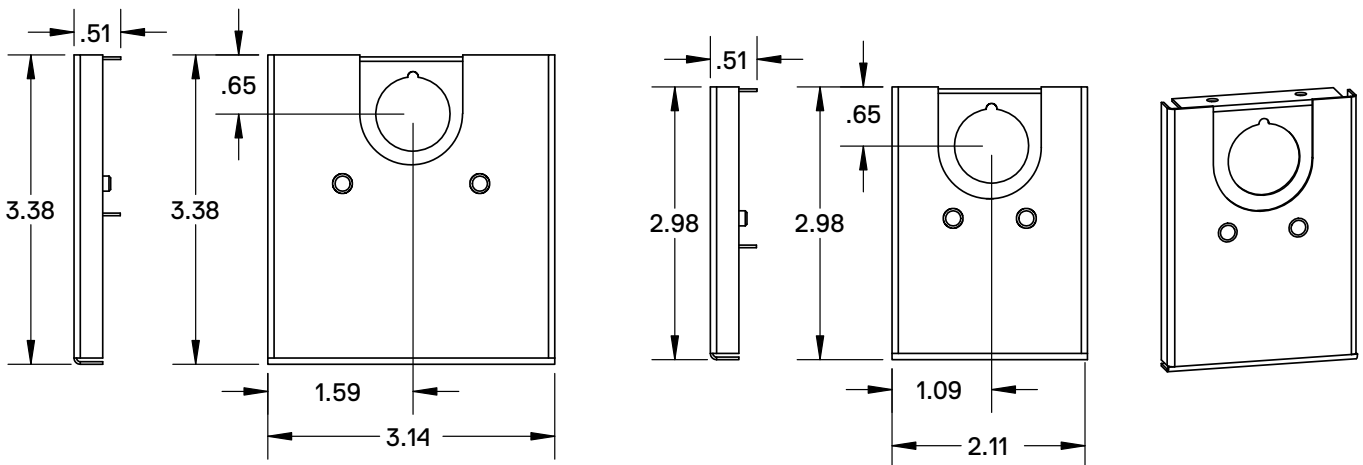
LS CR-L Endcap



LS CR Endcap



MAX CR Conduit Endcap



Dimensions and specifications subject to change without notice.