



JOB NAME:

CAT#:

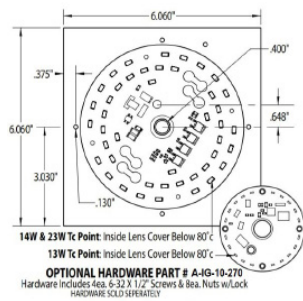
TYPE:

FEATURES & BENEFITS

- AC driver-on-board technology
- Optical grade polycarbonate lens
- Standard mounting options for easy install with optional hardware
- On board line surge protection
- Optional MOV ground surge protection
- 12" 18 AWG leads
- $L_{70} > 50000$ hrs
- FCC compliance Class B
- cUL_{us} 1598 Classified Retrofit
- 5 year warranty



DIMENSIONS



13W, 910LM, 3000K

13W, 1000LM, 4000K



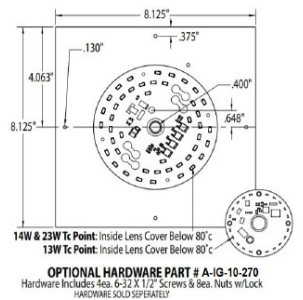
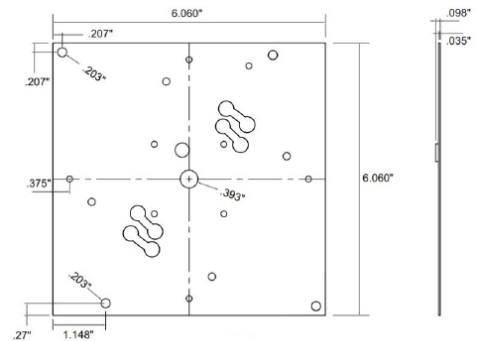
14W, 1350LM, 3000K

14W, 1400LM, 4000K



23W, 1850LM, 3000K

23W, 1900LM, 4000K



13W, 910LM, 3000K

13W, 1000LM, 4000K



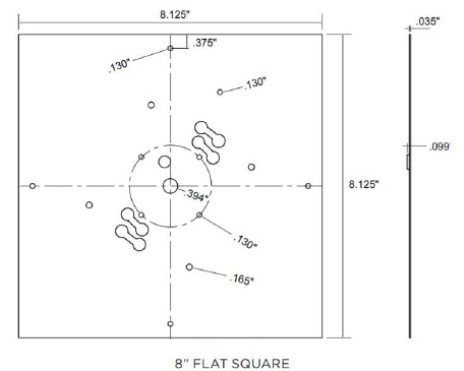
14W, 1350LM, 3000K

14W, 1400LM, 4000K



23W, 1850LM, 3000K

23W, 1900LM, 4000K



Dimensions and specifications subject to change without notice.





JOB NAME:

CAT#:

TYPE:

ORDERING

EXAMPLE: RKSEOS 6 LED 13 D120 30

RKSEOS		LED					
1. SERIES	2. SIZE	3. GEAR	4. WATTAGE/LUMENS	5. DRIVER	6. COLOR TEMP		
RKSEOS	6 6 inches	LED	13 13 Watts 1280 Lumens	D120 120VAC Triac Dimmable	30 3000K		
	8 8 inches		15 14 Watts 1500 Lumens		40 4000K		
			22 22 Watts 2130 Lumens				

UL CONDITIONS

UL Conditions of Acceptability

- The EOS LED Light Engine may be provided with or without lead wires. In cases where lead wires are not provided, wire leads must be evaluated for proper size, operating temperature, and strain relief in final application. Wire connectors provided with the EOS LED Light Engine are rated to accept maximum 18 AWG wires.
- The EOS LED Light Engine is provided with a polycarbonate lens that is part of the electrical enclosure. Lens must be secured to the painted circuit board in the final application.
- Temperature must be considered in the final application. The following temperature ratings must not be exceeded:
 - Printed Circuit Board - 130°C
 - Leads - as marked on the insulation
 - Polycarbonate Lens (Enclosure) - 80°C
 - Connectors - 125°C

NOTE: The EOS LED Light Engine must be properly heatsunk to thermal dissipation material. Do not mount the EOS board to insulating material such as glass, steel, plastic, or wood.

- The EOS LED Light Engine has been evaluated for use in dry or damp locations only. The suitability of the mounting means in the end product shall be determined in the end use evaluation.
- All EOS LED Light Engine boards are supplied with built in surge protection that provides Energy Star required transient voltage protection of 2.5Kv as outlined in ANSI/IEEE C62.41.1-2002 and considered sufficient for indoor applications. For outdoor applications where products are at a higher risk of surges from lightning it is recommended to use a higher level of surge protection. To accomplish this, a supplementary surge protection device is included (LED-MOV1) which aids to provide the transient voltage protection of 4.0Kv that is recommended for those applications.

Application Notes

- Maximum solder point temperature of LEDs must not exceed 100°C.
- ENERGY STAR - Product is listed on the Energy Star Certified Component Database (CSD) under LED Light Engines. The CSD supports the Luminaire Manufacturer's qualification of their Energy Star Luminaires by providing certified performance data of the components. This streamlines the Energy Star qualification process for the luminaire when CSD listed products are used.
- TYPICAL MOUNTING DETAIL:

- Product must be installed with supplied optical lens to comply with UL requirements. Lens must be hand tightened to avoid cracking.
- FLICKER - All lighting systems produce Flicker. Visibility of flicker is highly arbitrary and depends on the surrounding conditions. Visual perception of flicker is negligible at operating frequencies higher than 100Hz. Operating frequencies less than 65Hz are considered unacceptable. The EOS LED Light Engine has an operating frequency greater than 120Hz.
- EOS boards are static sensitive. They must be handled in a manner to protect them from static discharge.
- If additional technical assistance is needed, please contact Mobern Lighting at (800) 444- WATT.

Dimensions and specifications subject to change without notice.

