



JOB NAME:

CAT#:

TYPE:

APPLICATIONS

The 6" LED DoB Retrokit Module & Trim kit with E26 medium base adapter is designed for 6" IC/Airtight and Non-IC incandescent recessed downlights and has an optional GU24 adapter for CFL housings. It is designed for use with Lum-tech models IH-620ICA, IH-620, shallow IH-640ICA, IH-640 and most 6" housings certified under UL1598 standard. High efficacy 120VAC DoB (Driver on board) LED Module (Campcell®) with integral triac dimmer capability. The optical diffusing lens produces high lumen transmissio and even illumination. Suiteable for wet location.



FEATURES & BENEFITS

LED MODULE

- Efficient aluminum extrusion heat sink with integrated LED DoB module
- Gimbal head rotates 358 degrees and can tilt 0-30 degrees
- High reflectance reflector improves beam distribution and uniformity

LENS

- High impact translucent plastic lens
- High lumen transmission and diffusing for even illumination

MOUNTING

- Precision formed steel torsion springs easily adjust to 6" housings
- Dual torsion springs easily mount into compatible 6" recessed housings that have spring mounting tabs

COMPATIBLE HOUSINGS

- See housing compatibility section

Limited Warranty

- LED module: 5 years/50K hours
- Product/Driver: 3 years

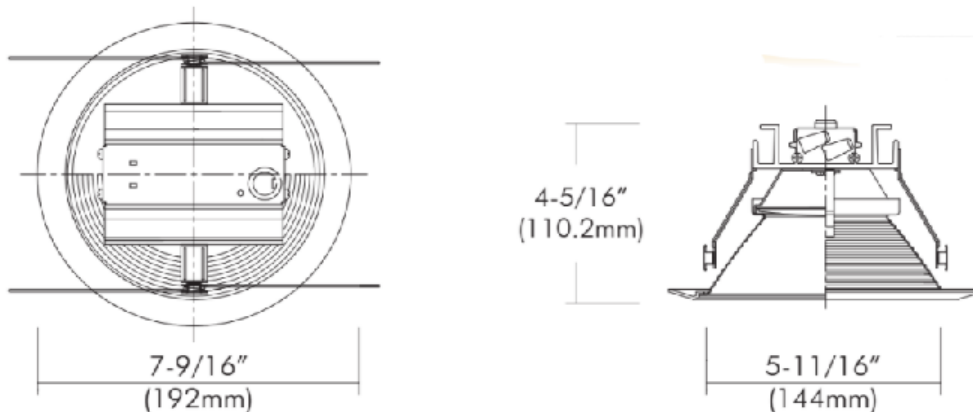
Electrical Connection

- E26 medium Edison connector provides easy retrofit of screw based incandescent housings
- Optional GU24 base adapter available for CFL housings
- 120VAC LED power supply on-board with state-of-the-art customized IC chip (DoB)
- 10-100% triac dimming with most of leading and trailing edge incandescent & low voltage dimmer switches
- Advanced driver circuit design (Pat. Pending) prevents damage to the LED module and switch from common inrush currents
- Recommended for use max. 45 fixtures per run of a dimmer switch 600W loaded and max. 23 fixtures per a dimmer switch 300W loaded.

Listing

- ETL_{us} Damp Location
- California Title 24
- Energy star Approved & Listed

DIMENSIONS



Dimensions and specifications subject to change without notice.



JOB NAME:

CAT#:

TYPE:

ORDERING

EXAMPLE: MDLED-AF6AD DOB 8 27 GU24A ZE

LED-AFC6

1. SERIES	2. DRIVER	3. CRI	4. COLOR TEMP	5. FINISH	6. ADAPTER
LED-AFC6	DOB 120V Direct Driver on Board (dimmmable with most line or low voltage dimmers)	8 80 CRI 9 90 CRI	27 2700K 30 3000K 35 3500K 40 4000K	RWH White Reflector RHC Haze Clear Reflector BWH White Baffle BBK Black Baffle	GU24A GU24 Adapter

7. QUICK CONNECT

ZE Genderless Quick Connector (select when ordering with LEDH Housings)

HOUSING COMPATIBILITY

LED-AFC6 ETL Listed for installation in the following Lum-Tech E26 screw based 6" standard and shallow recessed housings;

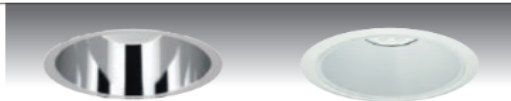
- 6" : IH-620ICA, IH-620ICAR, IH-610, IH-620R, Shallow: IH-640ICA, IH-640ICAR, IH-640, IH-640R

LED-AFC6 ETL Listed for retrokit in the following 6" recessed housing;

- **Halo** : H7ICAT, H7RICAT, H7ICT, H7RICT, H7ICATNB, H7ICTNB, H7T, H7RT, H7TNB, H7TCP, H7UICAT, H7UICATNB, H27ICAT, H27RICAT, H27ICT, H27RICT, H27T, H27RT, H5ICAT, H5RICAT, H5T, H5RT, H25ICAT
- **All-Pro** : E1700AT, E1700RAT, E700ATNB, E1700, E1700R, E1700ATNB, E1700NB, ET700, ET700R, E1700U, E1700UAT, E2700AT, E12700, E12700R, ET2700, ET2700R
- **Juno** : IC22, IC22R, IC22W, IC22S, IC23, IC23W, IC21, IC21R, TC2, TC2R, IC20, IC20R, IC25, IC25R, IC25W, IC25S, TC20, TC20R
- **Capri** : CR1, PR1, QL1. R9ASIC
- **Lithonia** : L7X, L7XP
- **Thomas** : PS1, R9ASIC/PS9RM
- **Prescolite** : IBXS

LED-AFC6 Retrokit Reflectors and Baffles

Reflector
White or Clear Reflector
O.D : 7-9/16" (192mm)
for 5/6" housing



RHC

RWH

Baffle
White or Black Baffle
O.D : 7-9/16" (192mm)
for 5/6" housing



BWH

Dimensions and specifications subject to change without notice.