

JOB NAME:

CAT#:

TYPE:

APPLICATIONS

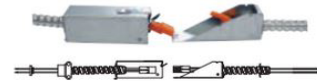
The SFK8 is a commercial grade, DoB, AC direct LED, recessed downlight retrokit with integral once piece housing and mouse-trap spring clips to allow for easy installation. Designed for use with existing Mobern lighting 8" commercial incandescent, fluorescent, and metal halide housings. It is also compatible with most 8" commercial housings measuring at least 6 $\frac{7}{8}$ " high, with apertures between 8" and 8 $\frac{3}{4}$ ". It is also used for remodeling down lights in existing ceiling by adding a J-box on the conduit end (Supplied separately as an option).



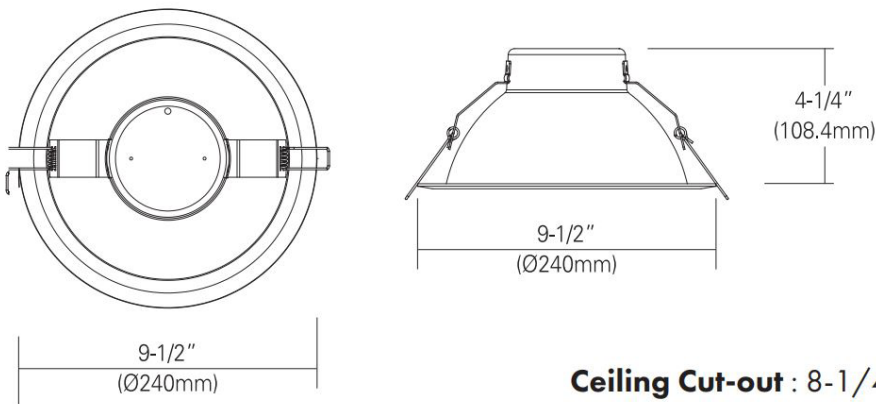
FEATURES & BENEFITS

- Heavy gauge, anodized haze clear aluminum reflector allows for efficient heat dissipation
- Designed to fit most existing 8" to 8 $\frac{3}{4}$ " aperture commercial incandescent, fluorescent, and metal halide housings
- Easy, quick connect metal connector case allows for easy wire connection
- Universal 120-277VAC DoB LED module with dual dimming of Triac and 0-10V in one module
- 5 year/50K hours warranty on LED module
- c_{CSA}_{US} listed for damp location
- Energy Star listed
- Meets California Title24 requirements

* Provided: Easy-quick connector case (patent pending)



DIMENSIONS



Ceiling Cut-out : 8-1/4"

Dimensions and specifications subject to change without notice.



JOB NAME:

CAT#:

TYPE:

ORDERING

EXAMPLE: LEDH-SR6W 14 8 30 UTD WH

SFK8

| 1. SERIES | 2. WATTAGE | 3. CRI | 4. COLOR TEMP | 5. REFLECTOR/TRIM FINISH | 6. TRIM RING |
|-------------|--------------------|-----------------|-----------------|--------------------------|-------------------------|
| SFK8 | 15 15 Watts | 8 80 CRI | 30 3000K | HC Haze Clear | WH White Plastic |
| | 20 20 Watts | 9 90 CRI | 35 3500K | | |
| | 30 30 Watts | | 40 4000K | | |
| | 40 40 Watts | | | | |

7. EMERGENCY (O)'

EM Emergency Battery Backup (RJB Required)

8. REMODELING (O)'

RJB Remodel Junction Box

9. FRAME KIT (O)'

AFK8 Architectural Frame Kit
NCFK8 New Construction Frame Kit
NCFK8ICA IC/AIR-TIGHT Commercial Flat Frame-in Down Light Kit

| Specification Chart | | | | |
|---------------------|----------------------|-------|-------|-------|
| Input Voltage | 120-277VAC | | | |
| Wattage (±5%) | 15W | 20W | 30W | 40W |
| Lumen (±5%) | 900 | 1,200 | 1,800 | 2,400 |
| Efficacy (LPW) | 60 | 60 | 60 | 60 |
| Beam Angle | 80° | 80° | 80° | 80° |
| CRI (Typical) | 80, 90 | | | |
| CCT (Color ±5%) | 3000K, 3500K, 4000K | | | |
| Dimming | Triac, ELV, 0-10V | | | |
| Environment | Indoor Damp Location | | | |

Triac Approved Dimmers

- * Lutron: NovaT (Ntelv 300&600) Diva (Delv-300P&303P)
- * Leviton: Acenti Ate06-1Lw
- * Leviton Trimatron #705W (Incandescent)

ELV Approved Dimmers

- * Lutron: Skylark SELV Series Diva DVELV Series Maestro MAELV Series Maestro MRF2-6ELV Series

0-10V Approved Dimmers

- * Lutron: Nova 0-10V : NTFTV Diva 0-10V : DDTV
- * Leviton: Decora 0-10V: IP710DL
- * Leviton Trimatron #705W (Incandescent)

Consult Factory for additional dimmers.

WARNING: Do not use 0-10V relay systems like Acuity nPP116 EFP or Creston GLXP-DIMFLV8-LP units with Mobern DoB Fixtures

Notes:

'(O) is optional

Dimensions and specifications subject to change without notice.

