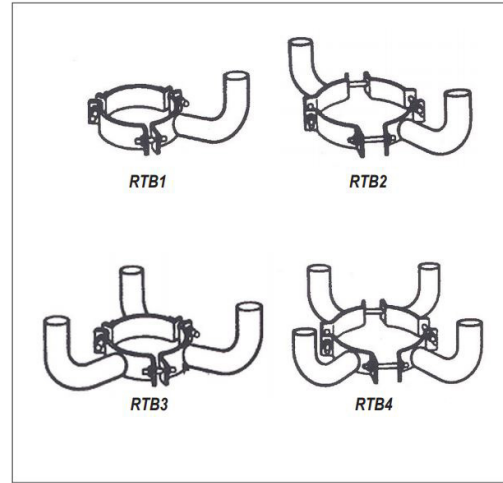


### APPLICATIONS

The MIRTB Series Wood Pole Brackets are designed for use with 8-12" wooden poles to provide one or more 2-3/8" OD tenons for mounting light fixtures that utilize an adjustable slip fitter.

### FEATURES & BENEFITS

- ◆ Constructed of rolled steel (stainless steel hardware provided)
- ◆ Durable polyester powder coat finish



### ORDERING DATA

EXAMPLE: MIRTB1BZ

MIRTB			
Series	# of brackets	Finish	
<b>MIRTB</b>	1	<b>BK</b>	Black
Wood pole bracket	2	<b>BZ</b>	Bronze
	3	<b>GR</b>	US Green
	4	<b>WH</b>	White

### DIMENSIONS

