

MFPCS Installation Instructions

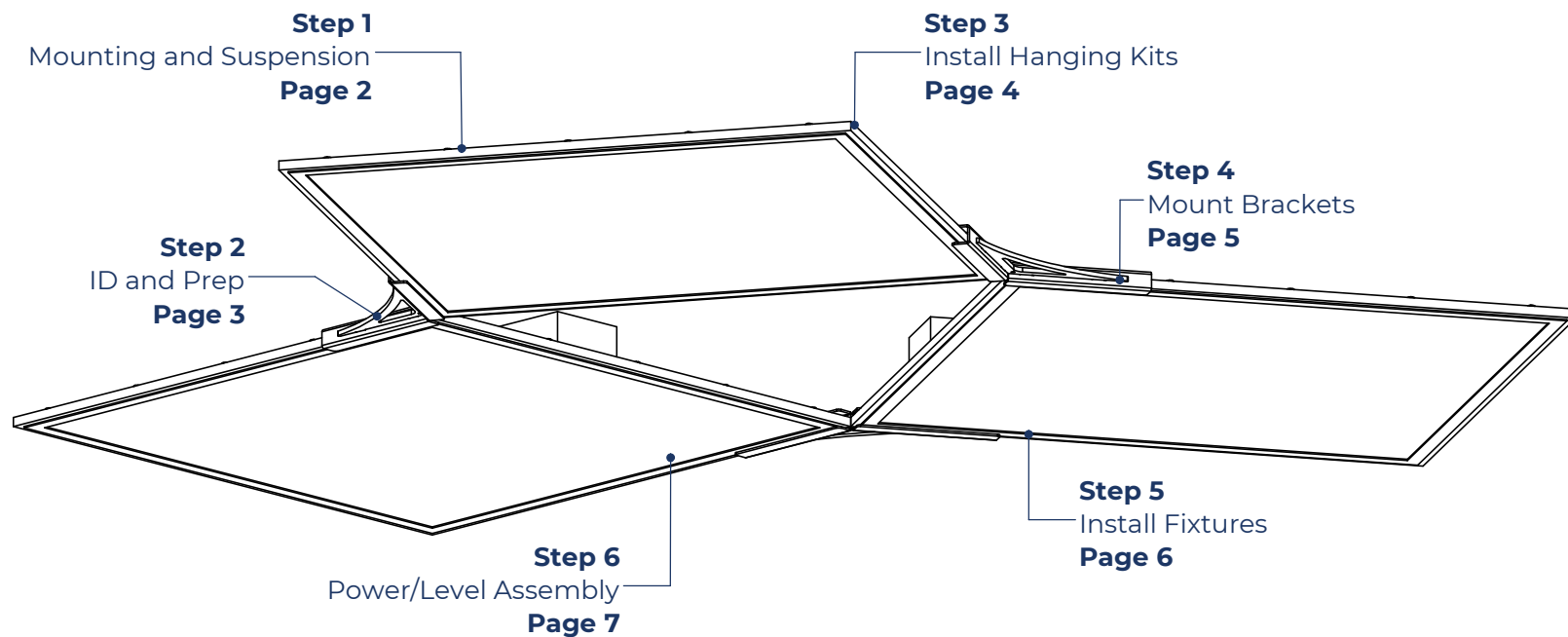
Overview



MOBERN
LIGHTING

WARNINGS

- This product must be installed in accordance with all applicable codes by a person familiar with the product.
- Each fixture must be **properly supported** during install.
- **DO NOT** join fixtures on the floor prior to lifting, or damage will occur.
- **Before beginning installation**, review our complete list of warnings by visiting www.saylite.com/warnings.



Form MCM - MOB-MFPCS, V1, 09/20

Your particular build may vary.

2020© Mobern Lighting Company | 8200 Stayton Dr., Suite 500, Jessup, MD 20794 | www.mobern.com

MFPCS Installation Instructions

Step 1 - Mounting and Suspension



Mounting

Drywall or other hard surfaces* - HC301 Hanging Kit

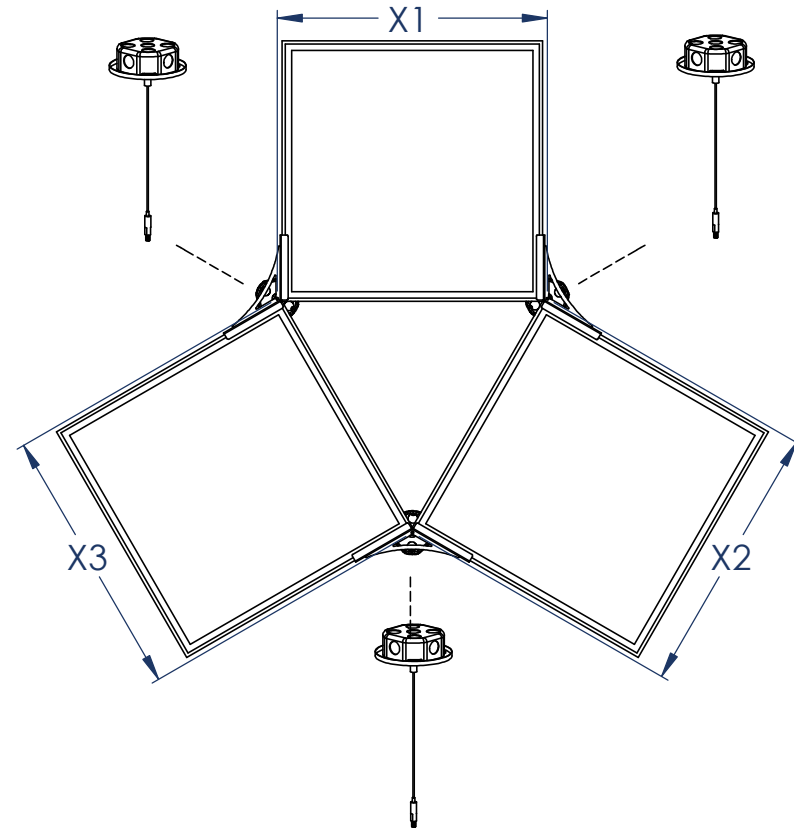
- Install hanging kits at suspension locations.
- Ensure hanging kits are secure.
- Prepare fixture for mounting.

*Other hard surfaces include: wood, sheet metal panels, steel beams, concrete or masonry. Use hardware appropriate for each surface and material type.

Suspension Locations

X = Suspension Dimensions

Refer to Assembly Drawings and building plans to determine exact mounting, suspension points, and power feed locations.

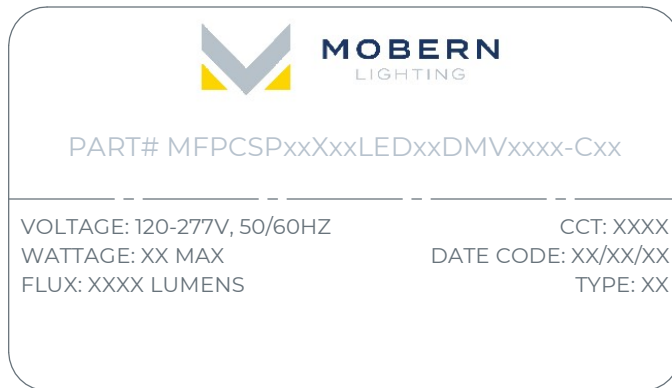


MFPCS Installation Instructions

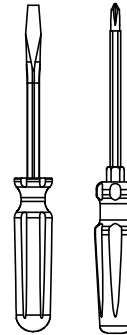
Step 2 - Identification and Preparation



A. Identify Fixtures



B. Tools Needed



Screwdrivers



Safety Glasses

- Use labels found on the box and inside the fixture bodies to identify bodies.
- **NOTE:** Locations of labels can vary.
- Remove all fixtures from their boxes.
- Organize fixtures based on their labels at the install location.

- Always use proper safety equipment when installing fixtures.
- Tools shown are recommended for standard install. Tools needed may vary based on actual install location conditions.

Kitted Hardware

- Saylite has provided the items listed here, with their Saylite part numbers listed. These items can be found in separate boxes shipped with the fixture.
- Ensure all parts are accounted for and set them aside until needed.
- Any additional hardware needed for this installation will be provided by others.

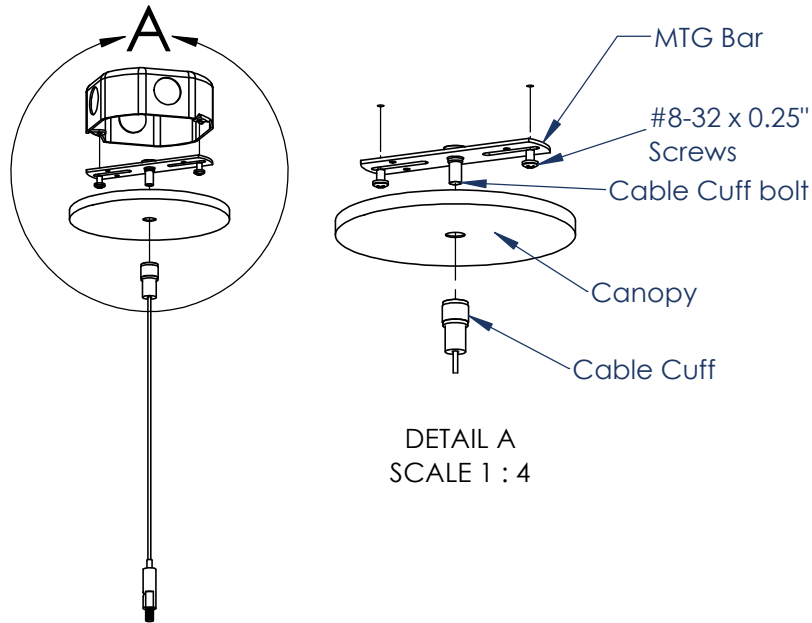
MFPCS Installation Instructions

Step 3 - Install Hanging Kits



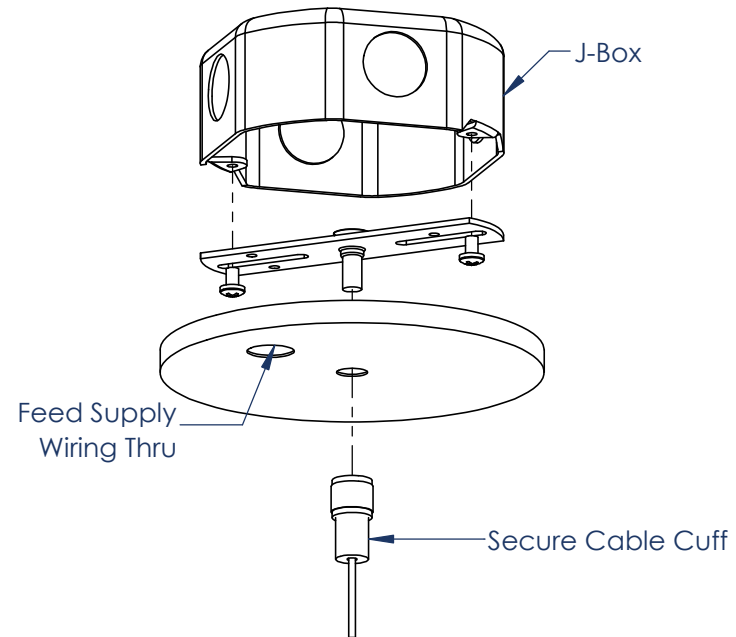
MOBERN
LIGHTING

A. Install NPF Hanging Kit



- Secure mounting bar to existing junction box using (2) #8-32 x .25" machine screws.
- Install the canopy over the cable cuff bolt with outside edge facing upwards.
- Secure cable cuff to the bolt, and tighten 1/4 turn with pliers.

B. Install PF Hanging Kit



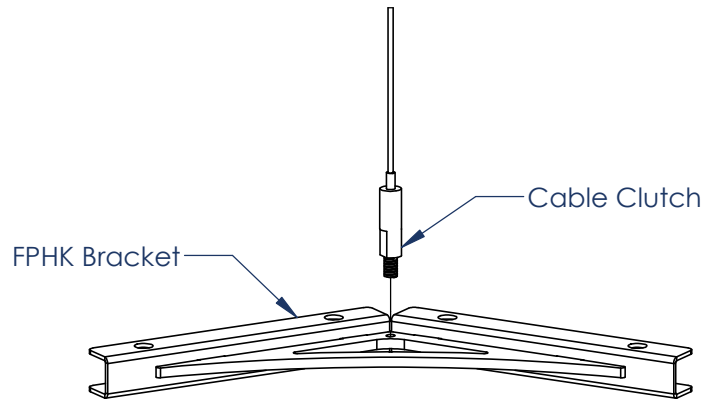
- Repeat previous steps to install mounting bar to junction box.
- Feed supply wiring thru the canopy prior to install.
- Repeat previous steps to install the cable cuff to the bolt.

MFPCS Installation Instructions

Step 4 - Mount the Brackets

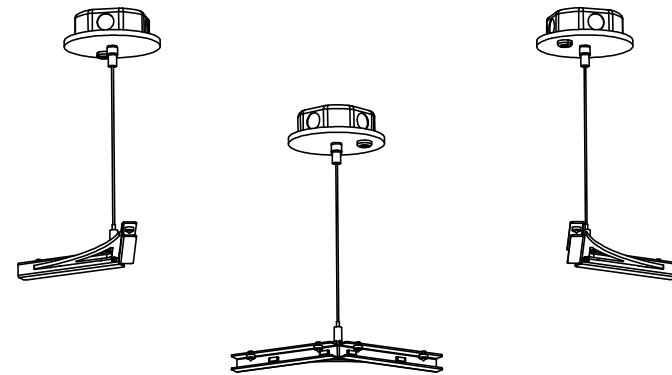


A. Attach Brackets to Cables



- Attach the FPHK brackets to the threaded ends of the hanging kit cables.
- Secure the bracket to the cable end and tighten 1/4 turn using pliers. Repeat for all remaining brackets.

B. Align the Brackets



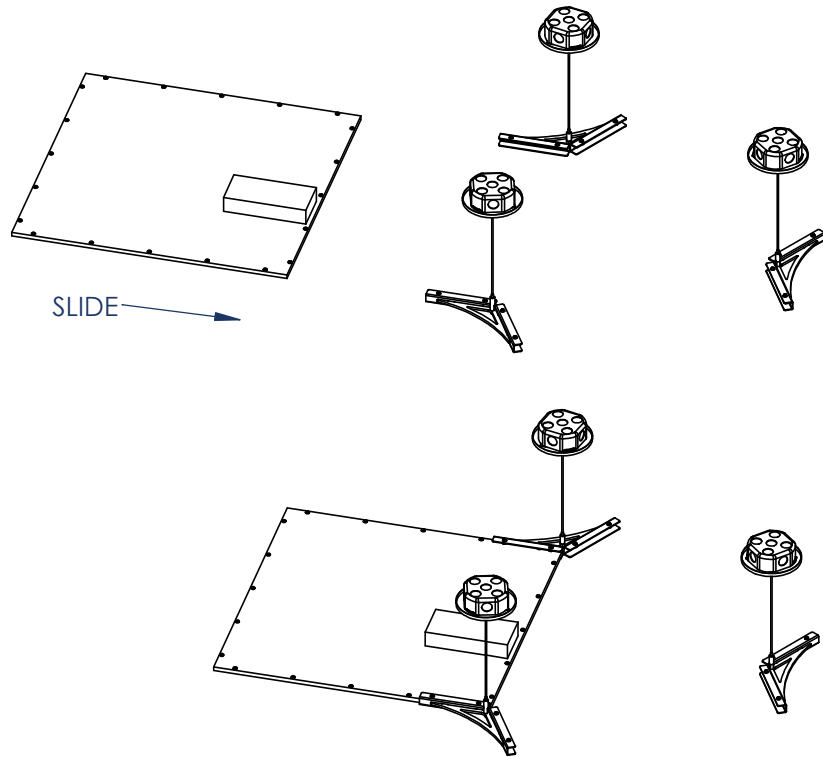
- Align brackets to approximate shape of fixtures that will be installed, by rotating pendant cables or brackets as needed. Repeat for all remaining brackets.

MFPCS Installation Instructions

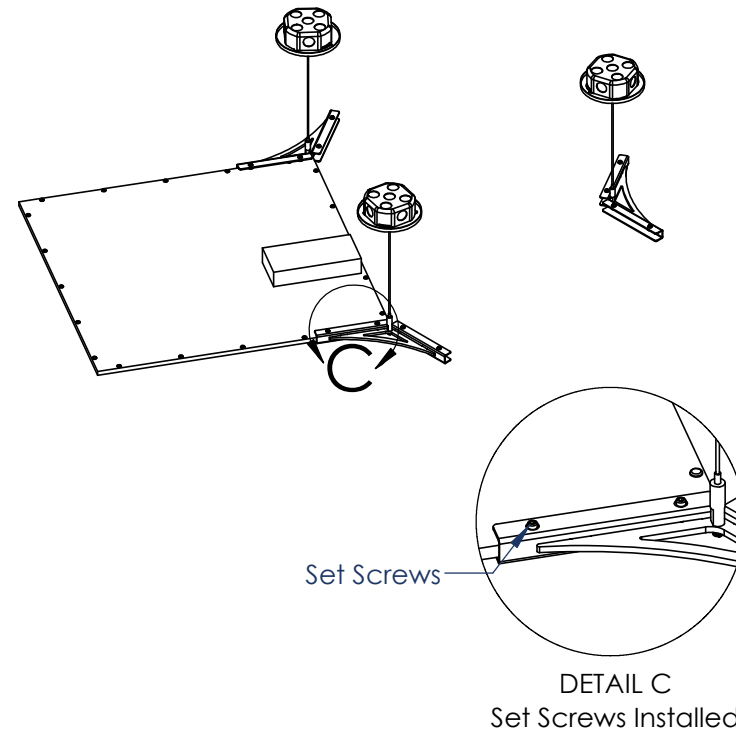
Step 5 - Install the Panels



A. Slide Panels into Brackets



B. Secure the Panels



- Slide one fixture into place at a time, ensuring that the fixture is properly aligned.

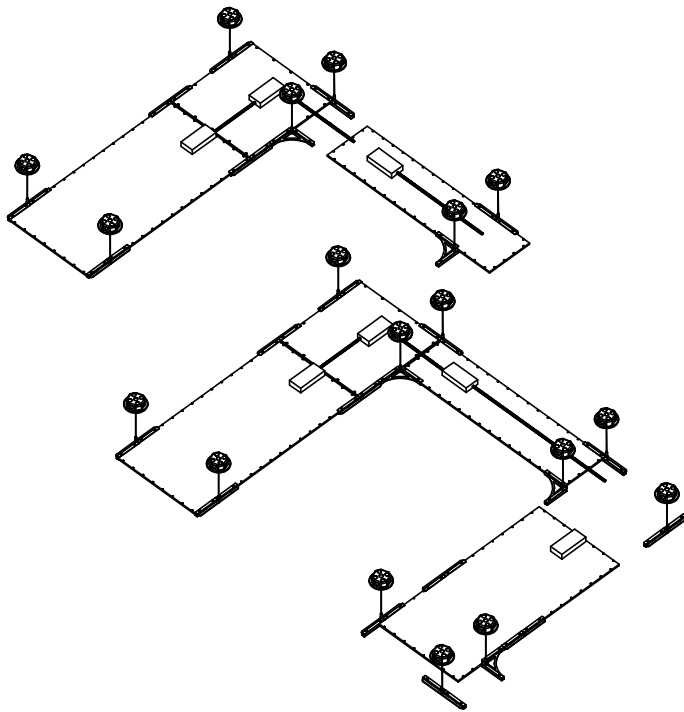
- Once the fixture is in place, use (4)* set screws to secure the fixture in the correct position.
- Ensure that both brackets holding the fixture have all necessary set screws. Repeat steps for all remaining fixtures. This step will be the same for every FPHK bracket variation.

MFPCS Installation Instructions

Step 5 - Install the Panels (Alternate Configuration)

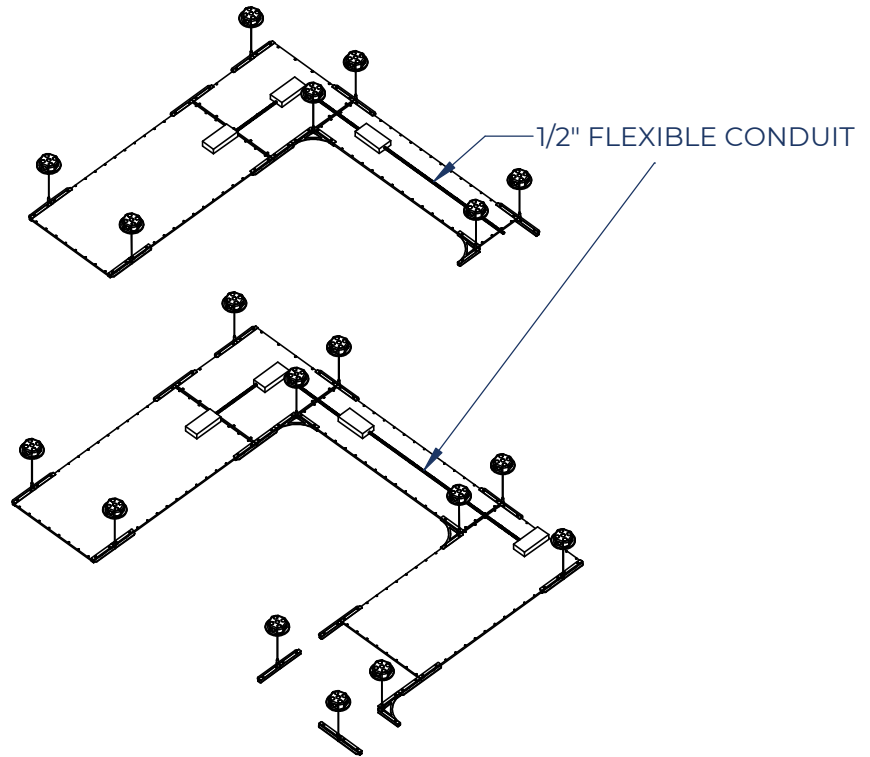


A. Slide Panels into Brackets



- Slide one fixture into place at a time, ensuring that the fixture is properly aligned.
- This page shows the installation steps for an alternate configuration.

B. Secure Panels to Brackets



- Once the fixture is in place, use (4)* set screws to secure the fixture in the correct position.
- Ensure that both brackets holding the fixture have all necessary set screws. Repeat steps for all remaining fixtures in the configuration.

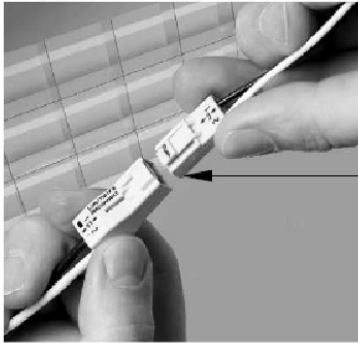
***NOTE:** This step shows installation for an alternate configuration. Some components are already installed in this configuration.

MFPCS Installation Instructions

Step 6 - Power and Level Assembly



A. Connect Fixture Wiring

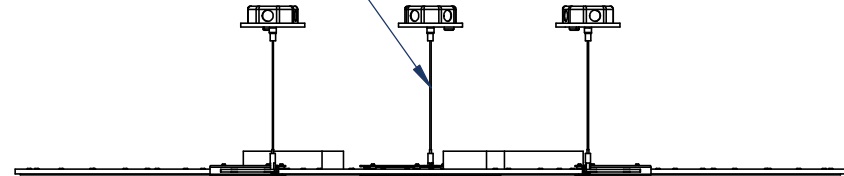


WIRING LEGEND		
BLACK	HOT	Line Voltage
WHITE	NEUTRAL	Line Voltage
GREEN	GROUND	
GRAY	DIMMING	0-10V DC
VIOLET	DIMMING	0-10V DC

- Wire each fixture to the incoming power supply using the provided quick disconnect clip as shown.*
- For dimming option, refer to wiring legend above.
- Use UL approved connectors only. Follow all local, state and national codes. Repeat for all remaining fixtures.

B. Level the Assembly

ADJUST CABLES
TO LEVEL FIXTURE



- Make final adjustments of cables, ensuring fixture is level.
- Fixture install is now complete.

***NOTE:** In configurations with several fixtures, 1/2" flexible wiring conduit may be used to wire multiple fixtures together. The wiring legend above can still be referred to.