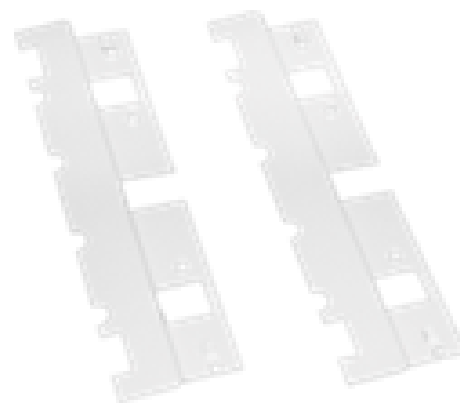


It's about the Savings and Quality of Light

Reflector Retrofit Kit for 2 Lamp Troffer Body



2x2, 2x4 Reflectors available in
White, Mirror and White Optics finishes



Socket Bars



Sockets- 4 sockets per kit
Same sockets for both 2x4 and 2x2 kit



Self Tapping Screws- 4 screws per kit
Same screws for both 2x4 and 2x2 kit

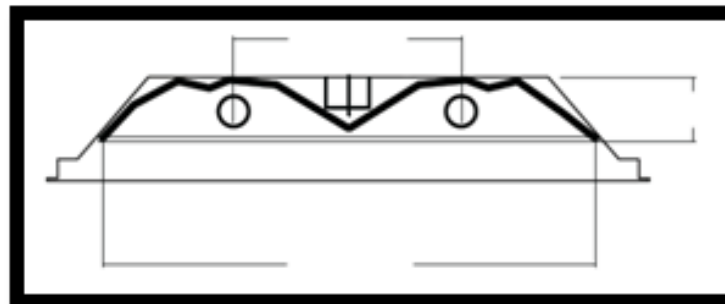
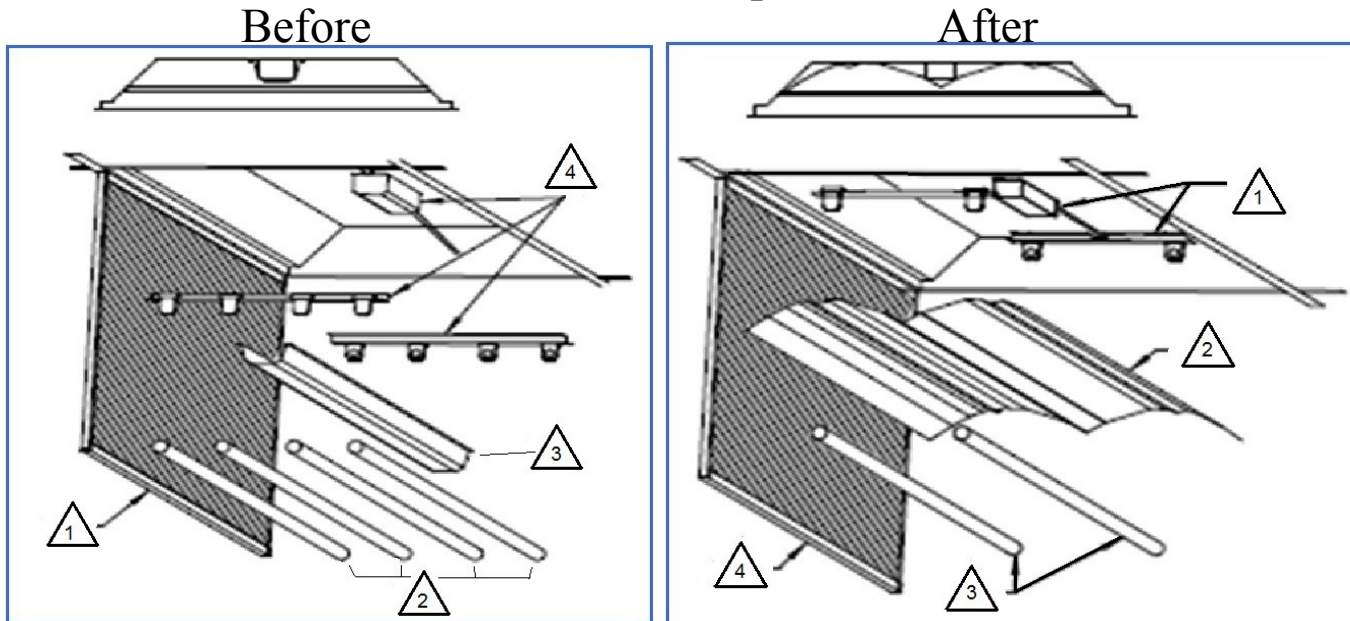
It's about the Savings and Quality of Light

Reflector Retrofit Kit for 2 Lamp Troffer Body

Easy install-

- 1- **Turn off Power**
- 2- Open existing door frame and remove existing lamps, ballast cover, ballasts, sockets and socket bars– Dispose of properly!
- 3- Install new ballast– connect new sockets and power feed to ballast
- 4- Install sockets in new socket bars and install socket bars into existing troffer with self-tapping screws
- 5- Remove protective film from reflector and install into snap in tabs in socket bars
- 6- Install new lamps– close existing door frame
- 7- Turn on Power

Installation complete!



MOBERN
L I G H T I N G