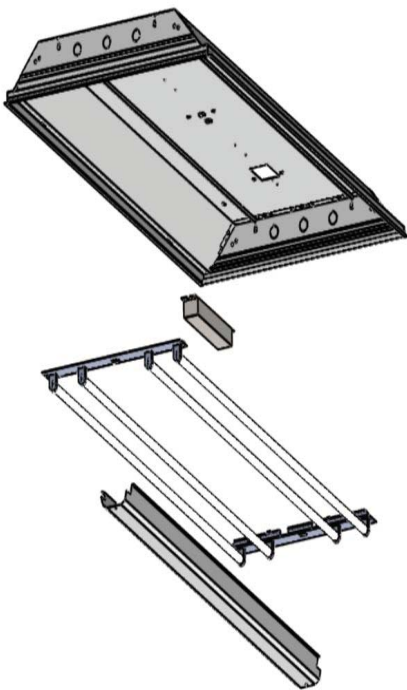


ITEM #	PART #	DESCRIPTION	QTY
1	Existing Fixture		1
2	24 LED RETROFIT KIT		1

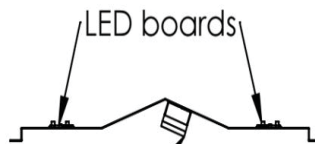
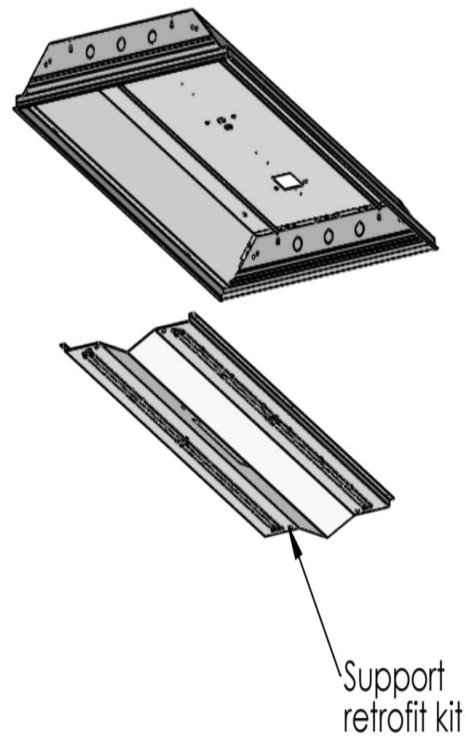
1. Shut off power to circuit
2. Gut existing fixture of any ballast covers, socket bars, lamps, ballasts and sockets so that only the pan remains. Let existing ground and power wires hang.
3. While supporting the retrofit kit, wire it to the existing power lines.
4. Using the holes indicated in Detail A, secure the retrofit kit to the existing pan with four (4) #8 tek screws.
5. If there was a lens, re-install and return power to the circuit.



STEP 2

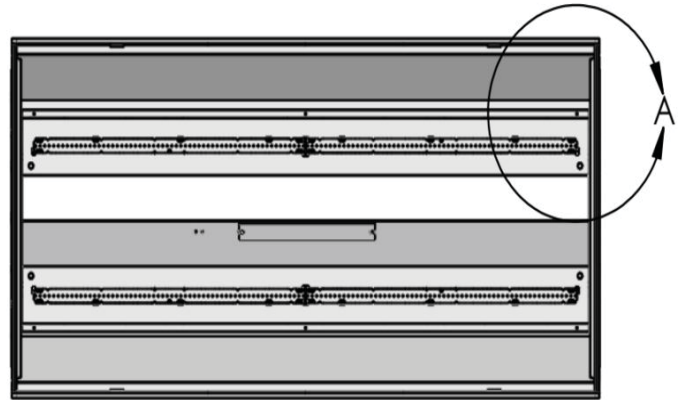
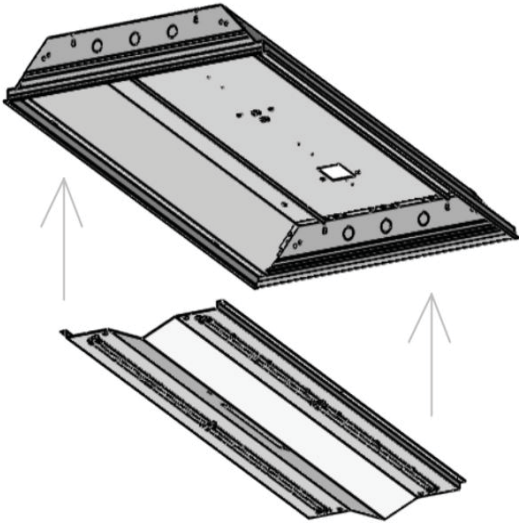


STEP 3

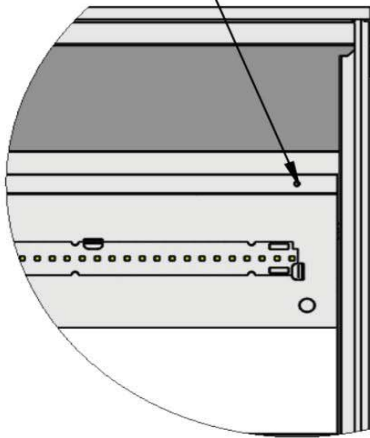


Driver is located on rear of retrofit kit

STEP 4



(x4) #8 tek screws to secure fixture to pan



DETAIL A  
SCALE 1 : 5

STEP 5

