

SLP-Surface Installation Instructions

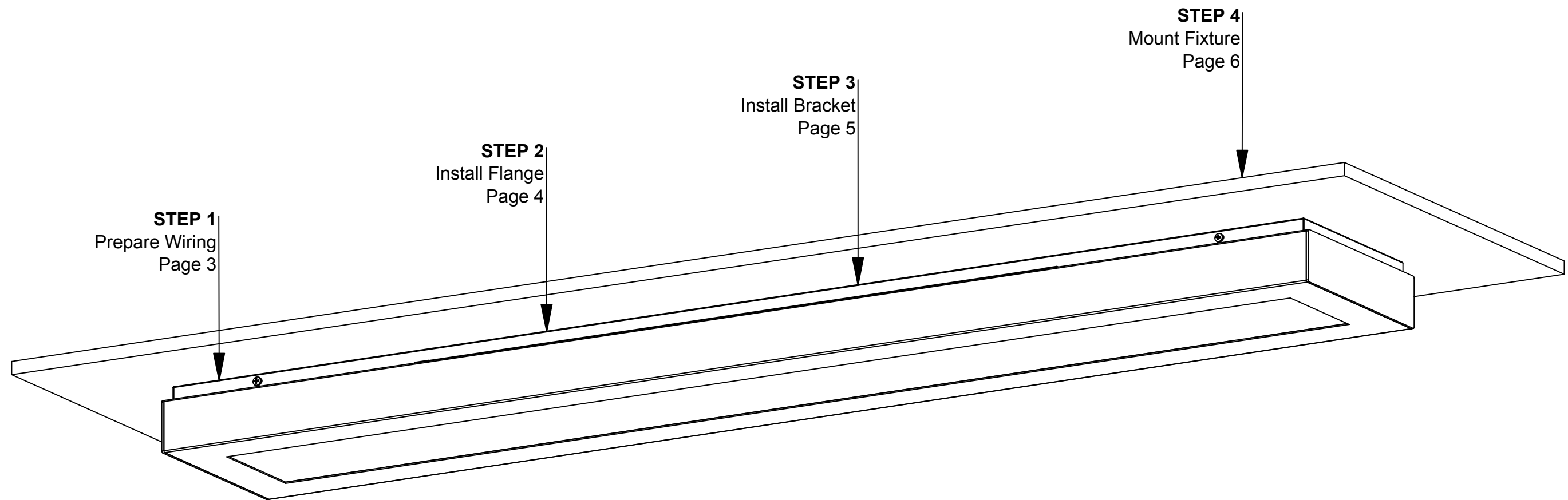
Overview

WARNINGS

- This product must be installed in accordance with all applicable codes by a person familiar with the product.
- Each fixture must be **properly supported** during install.
- **DO NOT** join fixtures on the floor prior to lifting, or damage will occur.
- **Before beginning installation**, review our complete list of warnings by visiting www.saylite.com/warnings.



Texas Fluorescents Reinvented



We believe
in the power
of light.



Your particular build may vary.

2018© Saylite | 2055 Luna Road, Suite 142 Carrollton, Texas 75006 | www.saylite.com

1 of 6

Form BWE - SLP / Surface, V0 10/18

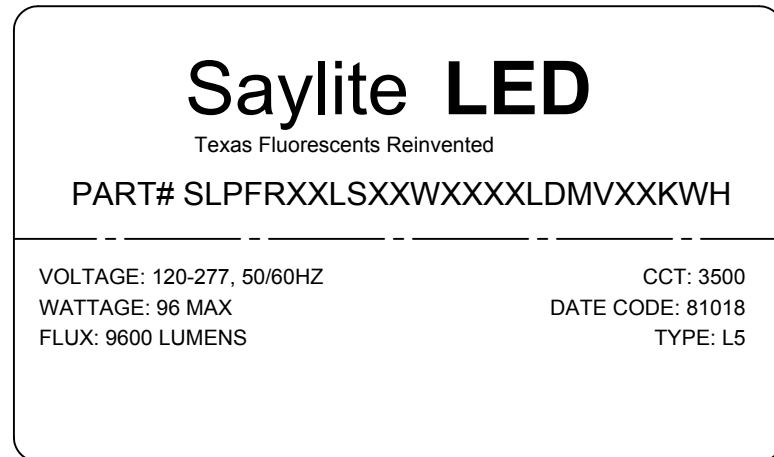
SLP-Surface Installation Instructions

Preparation - Tools/Parts Identification



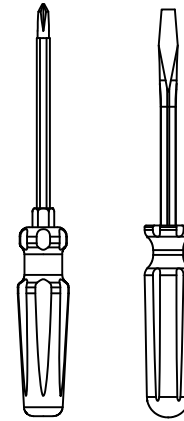
Texas Fluorescents Reinvented

A. Identify Fixtures

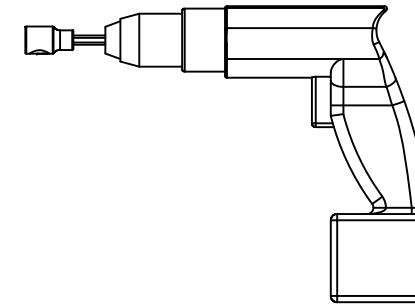


- Use labels found on the box and inside fixture bodies to identify bodies.
- **NOTE:** Locations of labels can vary.
- Remove all fixtures from their boxes.
- Organize fixtures based on their labels at the install location.

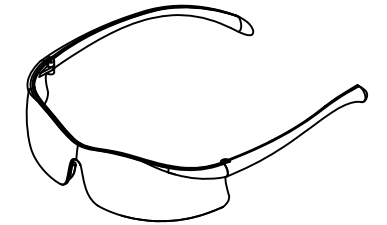
B. Tools Needed



Screwdrivers



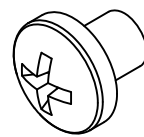
Drill



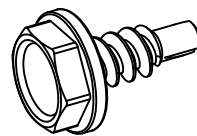
Safety Glasses

- Always use proper safety equipment when installing fixtures.
- Tools shown are recommended for standard install. Tools needed may vary based on actual install location conditions.

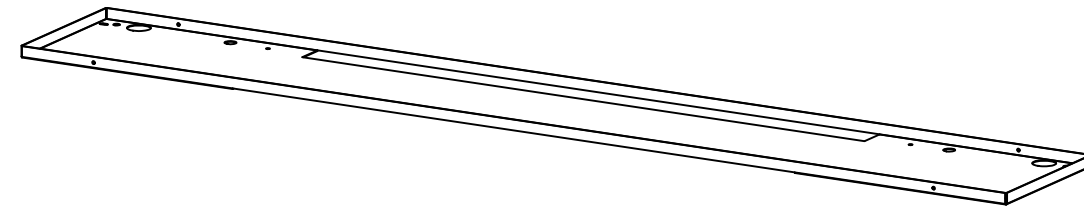
C. Identify Parts



Machine Screw
(By Others)



TEK Screw
(By Others)



SLP Surface Mount Bracket
PN: SLPSMBRKT48IN
SLPSMBRKT96IN

- Read entire install instructions before beginning installation.
- Unpack all components and arrange in order of install steps.
- For help with installation, please contact us at www.saylite.com or call us at (972) 247-3171.

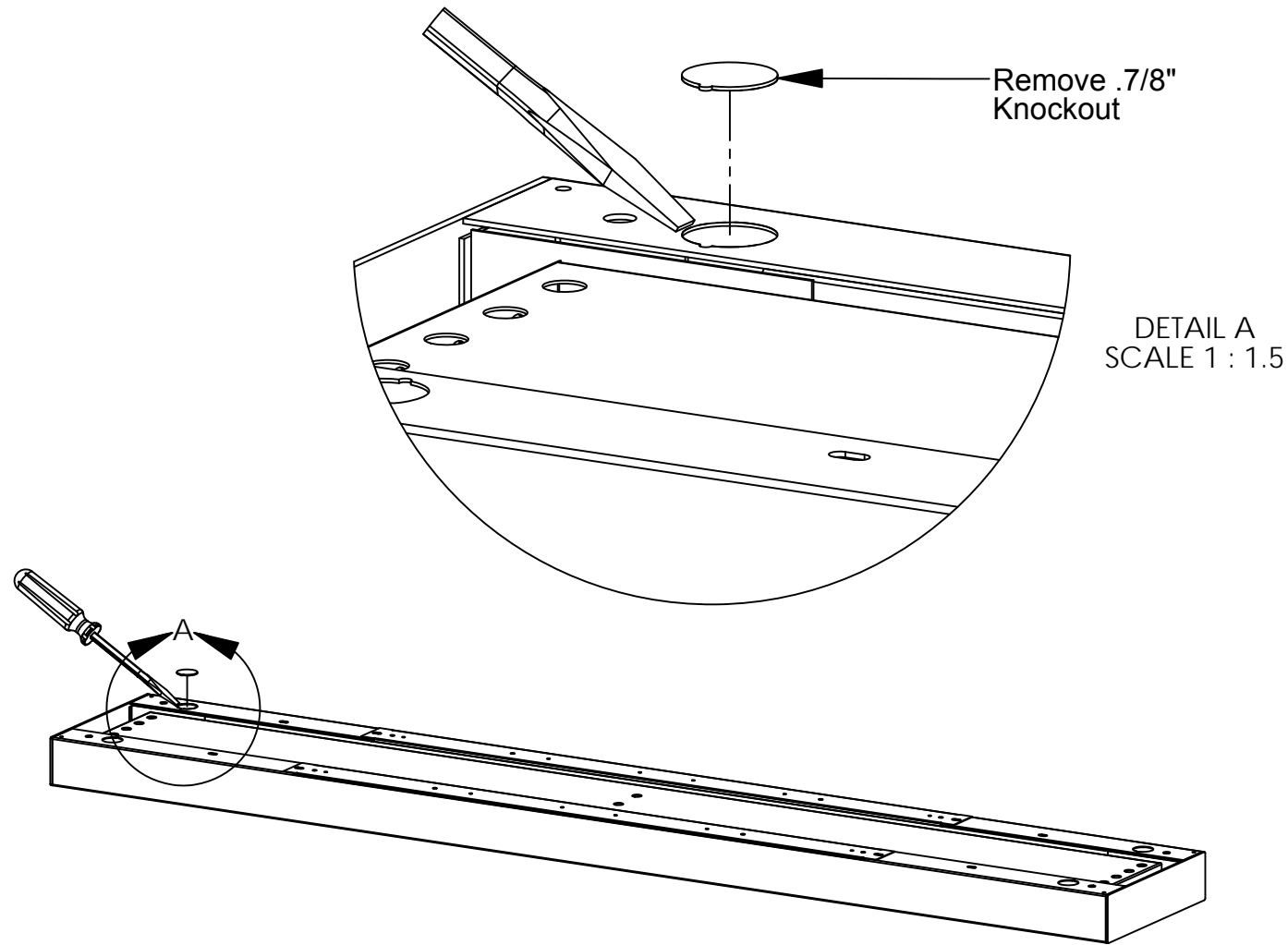
SLP-Surface Installation Instructions

Step 1 - Prepare Wiring



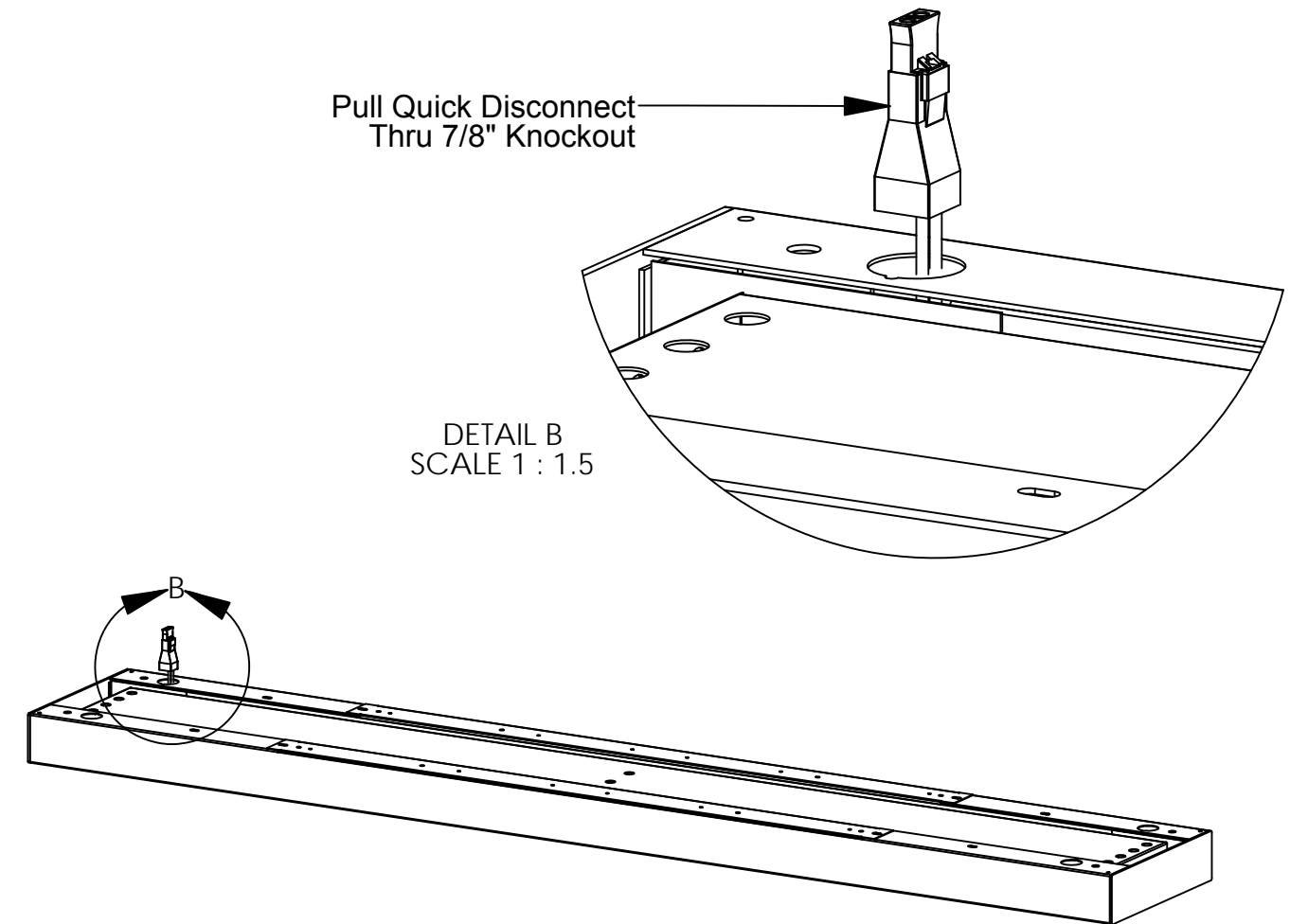
Texas Fluorescents Reinvented

A. Remove Knockout



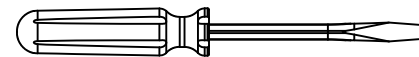
- Using a flat tip screwdriver, pry the knockout from the fixture.

B. Pull Wiring



- Locate the wiring quick disconnect inside the wiring channel.
- Pull the wiring thru the knockout, and leave exposed.

Items Used In This Step



Flat Tip Screwdriver

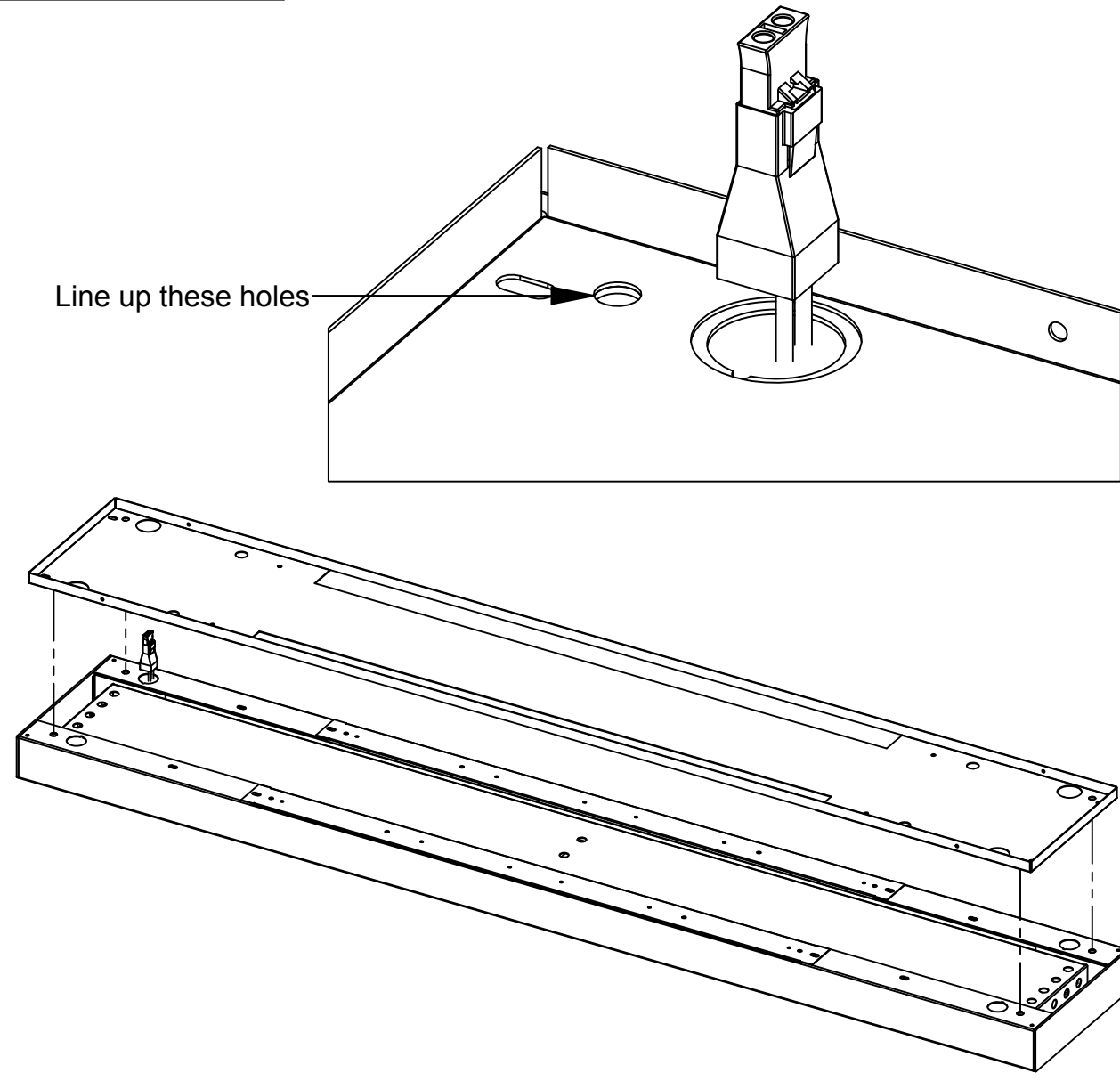
SLP-Surface Installation Instructions

Step 2 - Install Flange



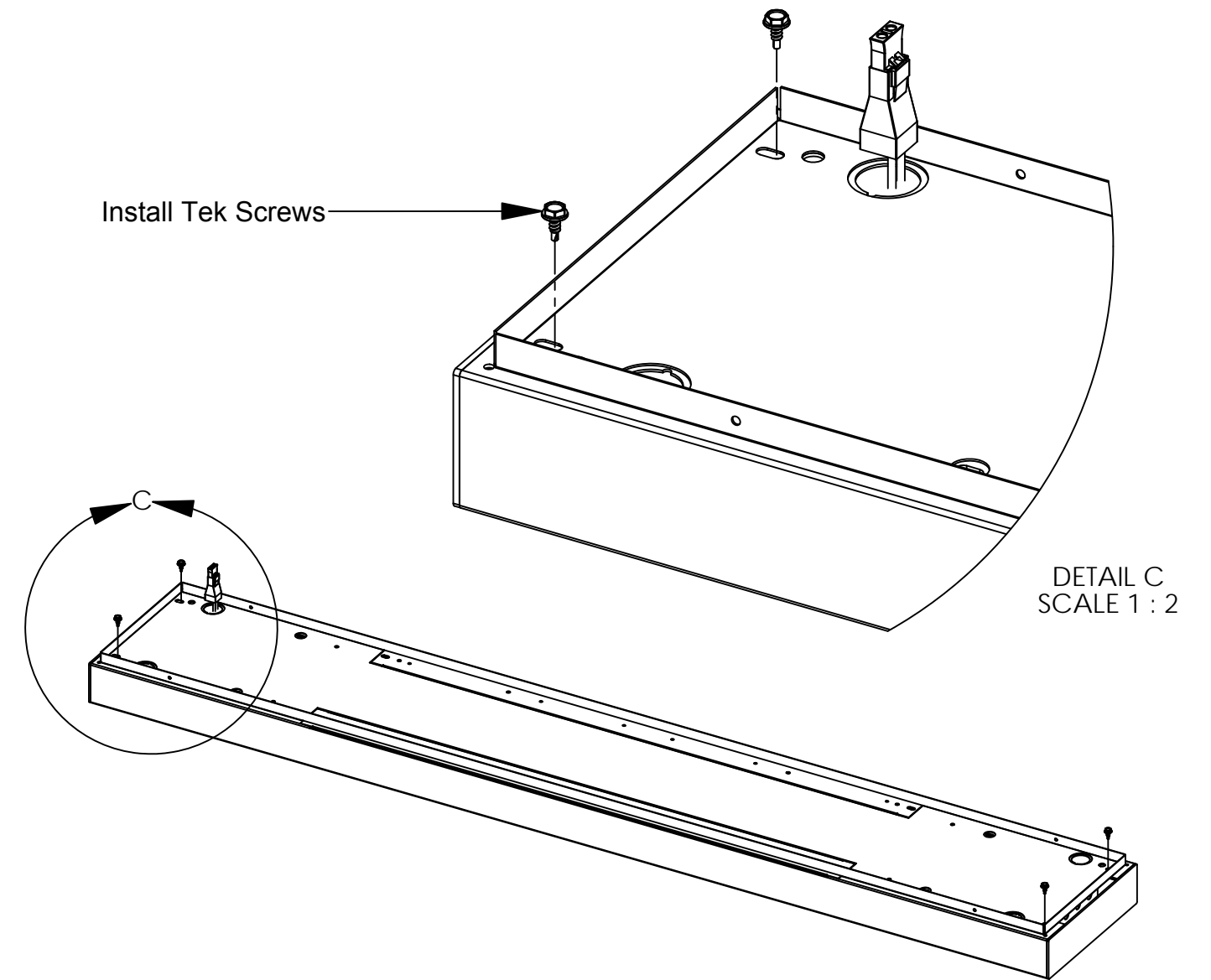
Texas Fluorescents Reinvented

A. Line Up Flange



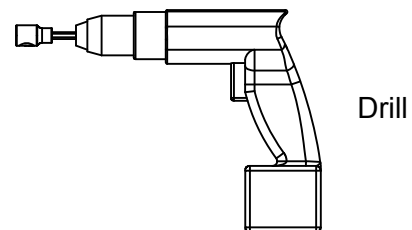
- Line up the mounting flange to the back of the fixture.
- Pull the wiring thru the hole in the mounting flange as shown.
- Use the guide holes shown to ensure proper alignment of the flange. The holes should match up.

B. Secure Flange

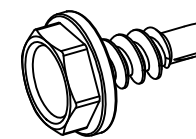


- Secure the mounting flange to the fixture by installing (4) TEK screws to the oblongs shown above.

Items Used In This Step



Drill



TEK Screw
(by others)

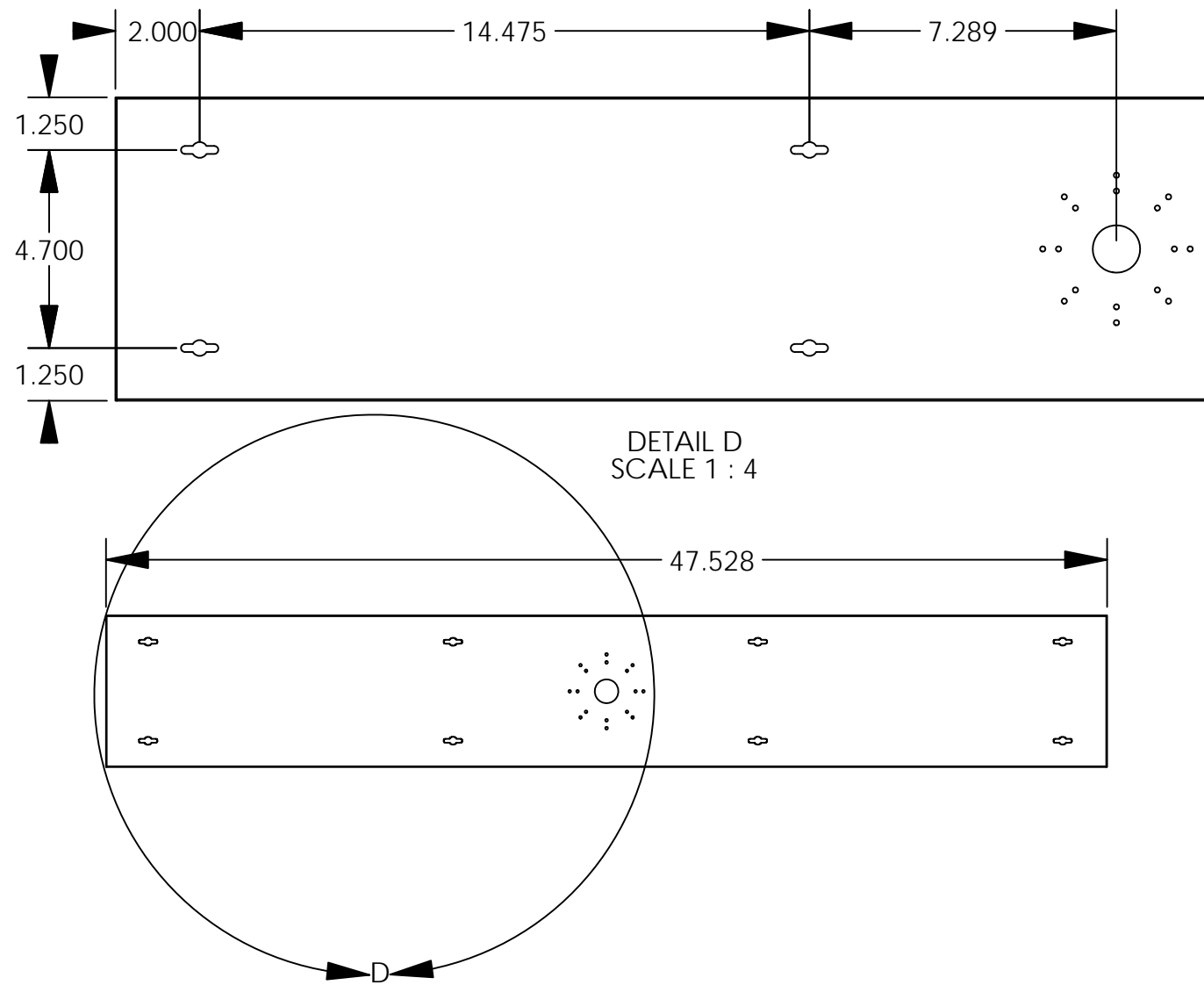
SLP-Surface Installation Instructions

Step 3 - Install Bracket



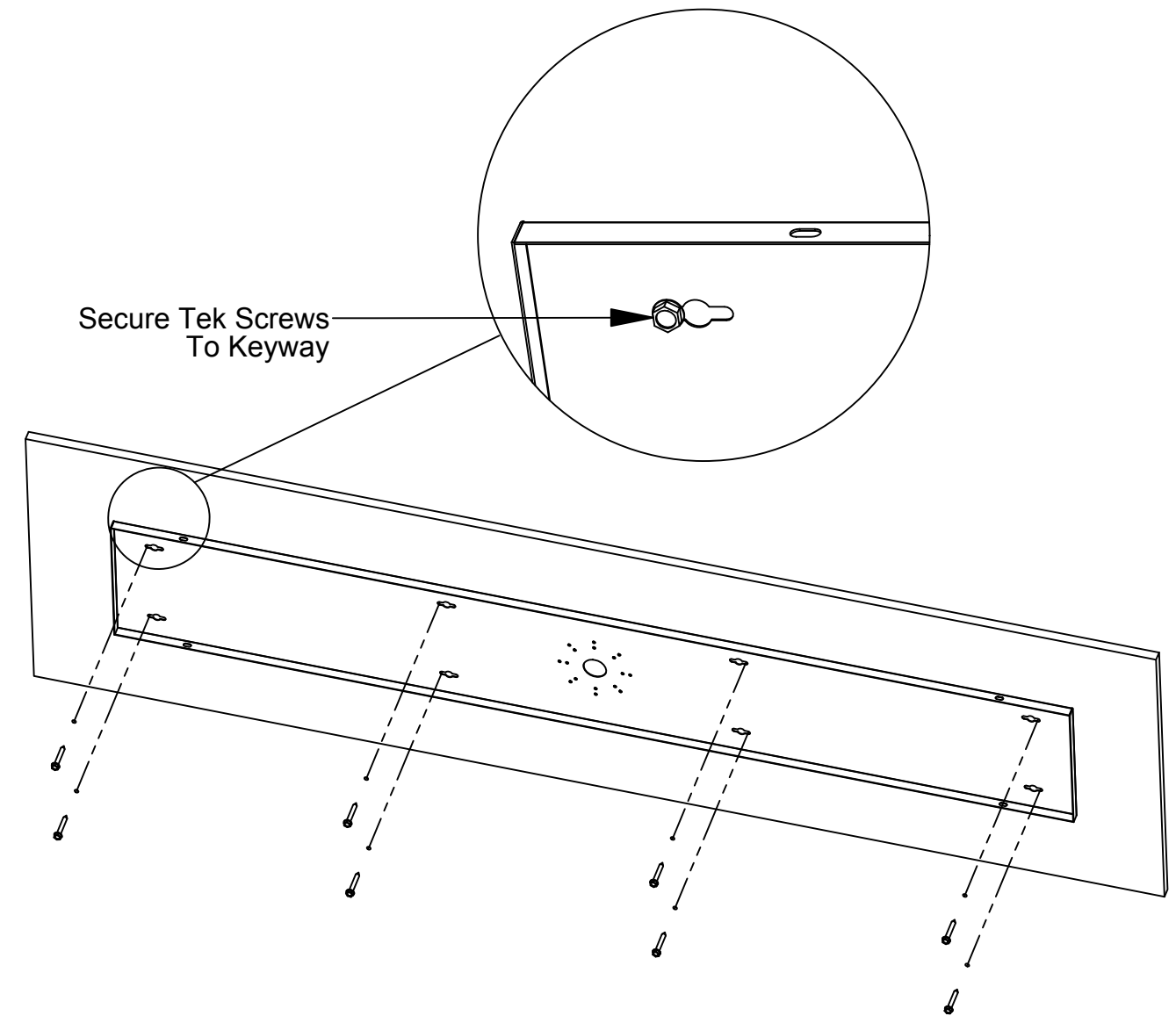
Texas Fluorescents Reinvented

A. Transfer Dimensions



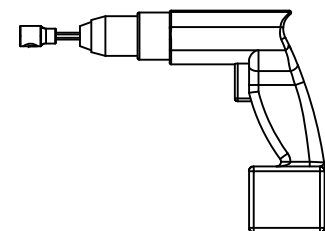
- Transfer the dimensions of the mounting keyways above to the mounting surface.
- **Note:** The dimensions are mirrored on both sides of the mounting bracket.

B. Secure Bracket

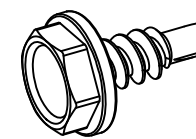


- **Note:** The mounting bracket must be installed to a structurally secure surface.
- **Note:** Additional bracing may be needed before mounting bracket.
- Secure the mounting bracket to the mounting surface as shown.

Items Used In This Step



Drill



TEK Screw
(by others)

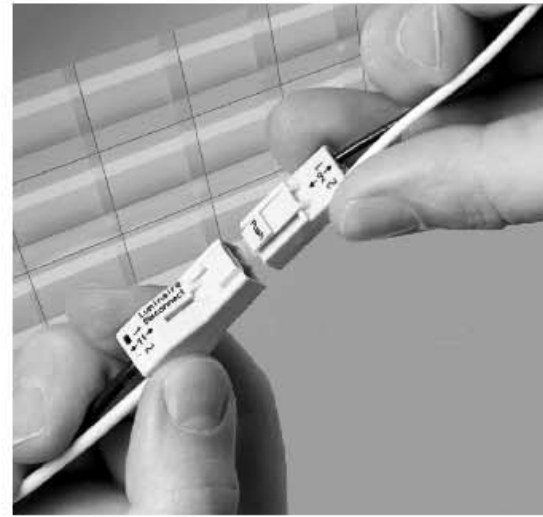
SLP-Surface Installation Instructions

Step 4 - Mount Fixture

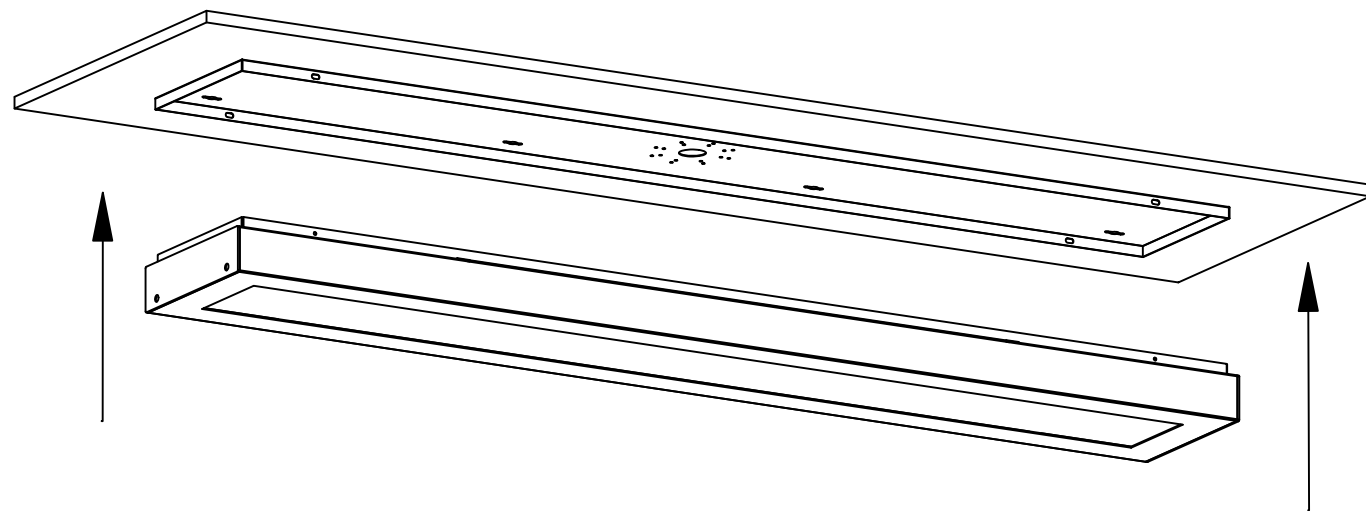


Texas Fluorescents Reinvented

A. Line Up With Bracket

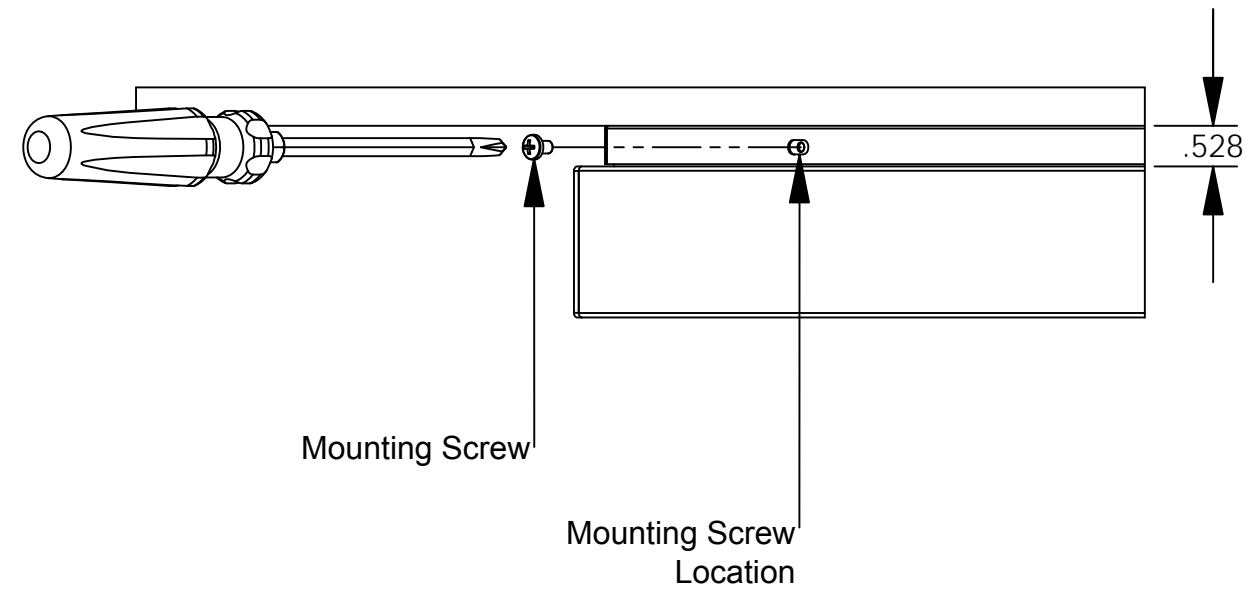


Make Secure Connection



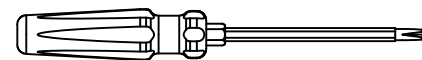
- Using the quick clip, wire the fixture to the incoming following all local, state and national codes.
- Line the fixture up with the installed mounting bracket as shown.

B. Secure Fixture

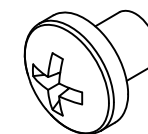


- Using a long screwdriver, install (4) mounting screws around the perimeter of the fixture.
- Test that the fixture is mounted securely.
- Install is now complete.

Items Used In This Step



Phillips Screwdriver



Mounting Screw
(by others)