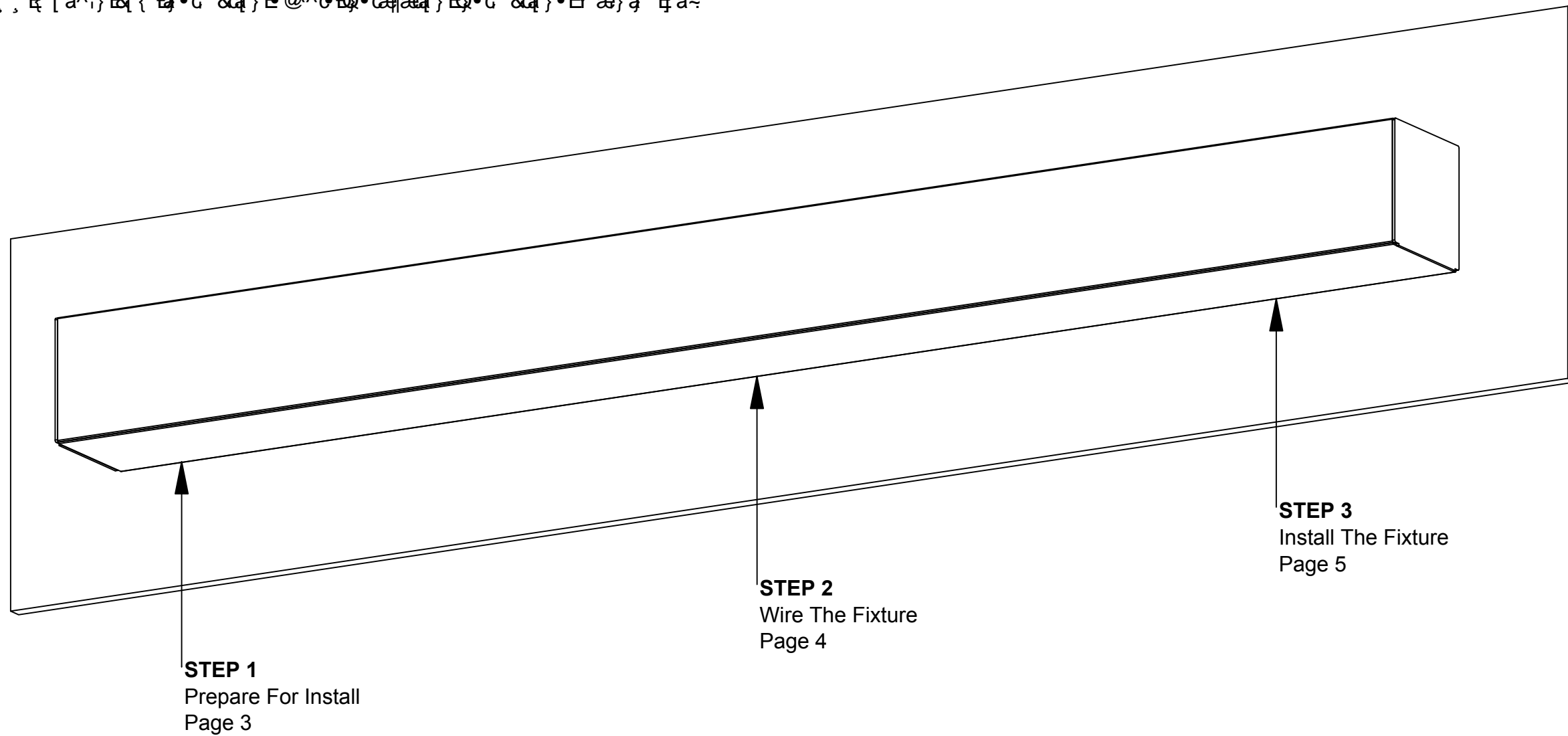


44-66-Wall Installation Instructions

Overview

WARNINGS

- This product must be installed in accordance with all applicable codes by a person familiar with the product.
- Each fixture must be **properly supported** during install.
- **DO NOT** join fixtures on the floor prior to lifting, or damage will occur.
- **Before beginning installation**, review our complete list of warnings by visiting [www.mobern.com](#)



44-66-Wall Installation Instructions

Preparation - Tools/Parts Identification



A. Identify Fixtures

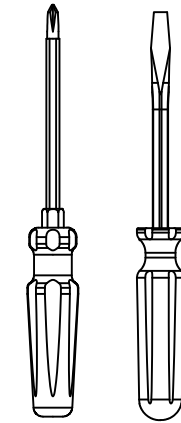
Mobern Lighting

PART# 44WSFXXLTXXWXXXXLDMVXXKWH

VOLTAGE: 120-277, 50/60HZ	CCT: XXXX
WATTAGE: XX MAX	DATE CODE: XX/XX/XX
FLUX: XXXX LUMENS	TYPE: XX

- Use labels found on the box and inside fixture bodies to identify bodies.
- **NOTE:** Locations of labels can vary.
- Remove all fixtures from their boxes.
- Organize fixtures based on their labels at the install location.

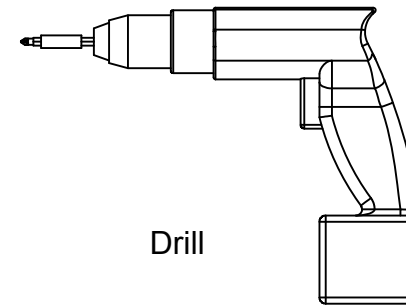
B. Tools Needed



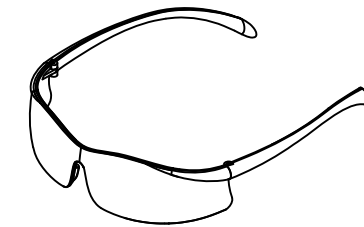
Screwdrivers



3/4" Drill Bit



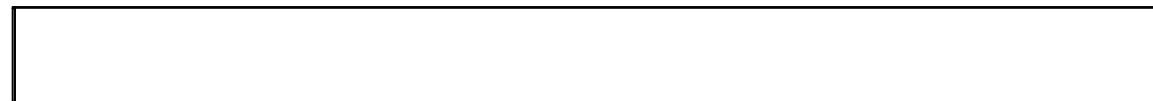
Drill



Safety Glasses

- Always use proper safety equipment when installing fixtures.
- Tools shown are recommended for standard install. Tools needed may vary based on actual install location conditions.

C. Identify Parts



44/66 Wall Mount Fixture
(Provided)



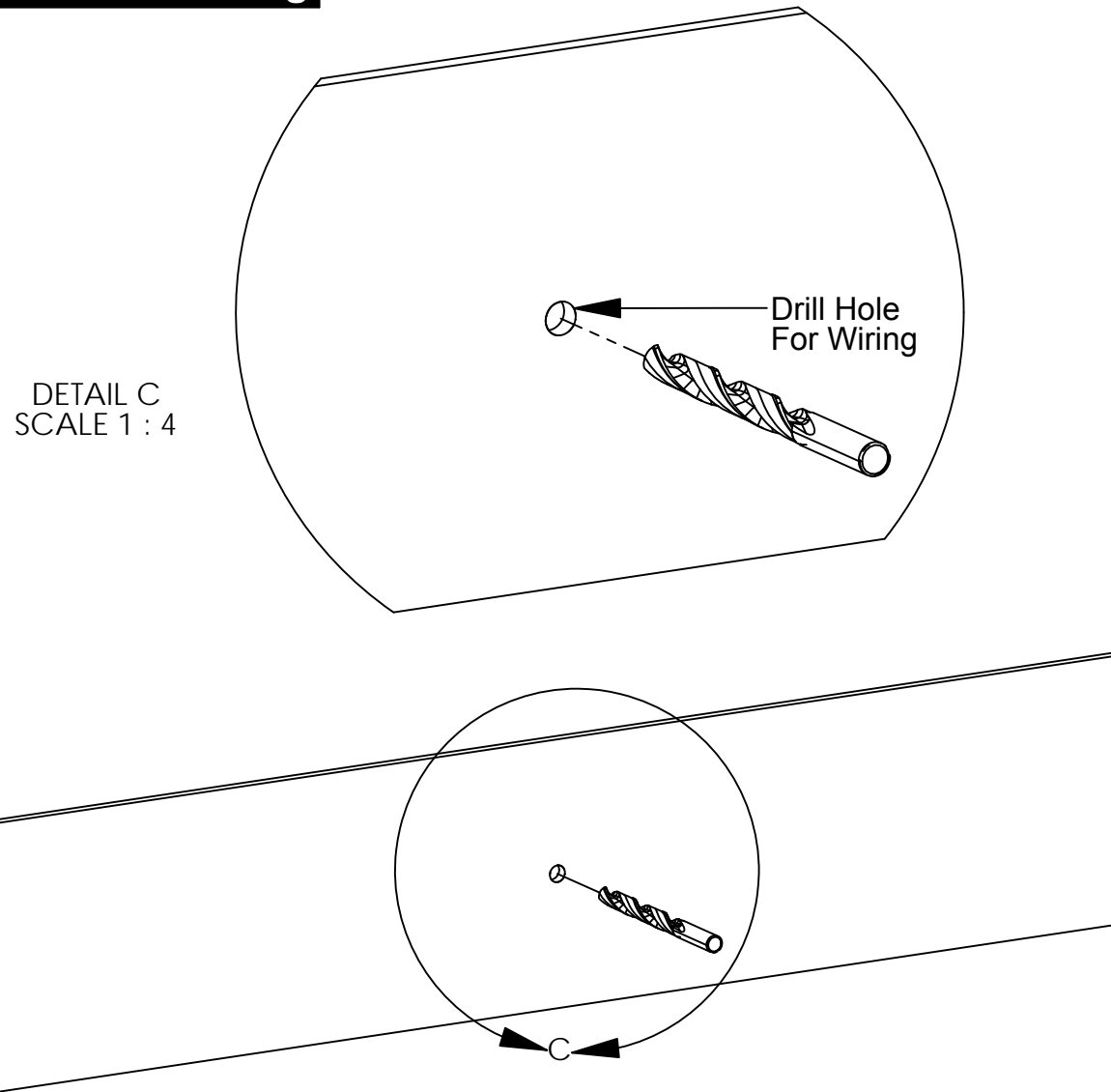
Mounting Screw W/ Anchor
(By Others)

- Read entire install instructions before beginning installation.
- Unpack all components and arrange in order of install steps.
- For help with installation, please contact us at www.mobern.com or call us at (800) 444.9288.

44-66-Wall Installation Instructions

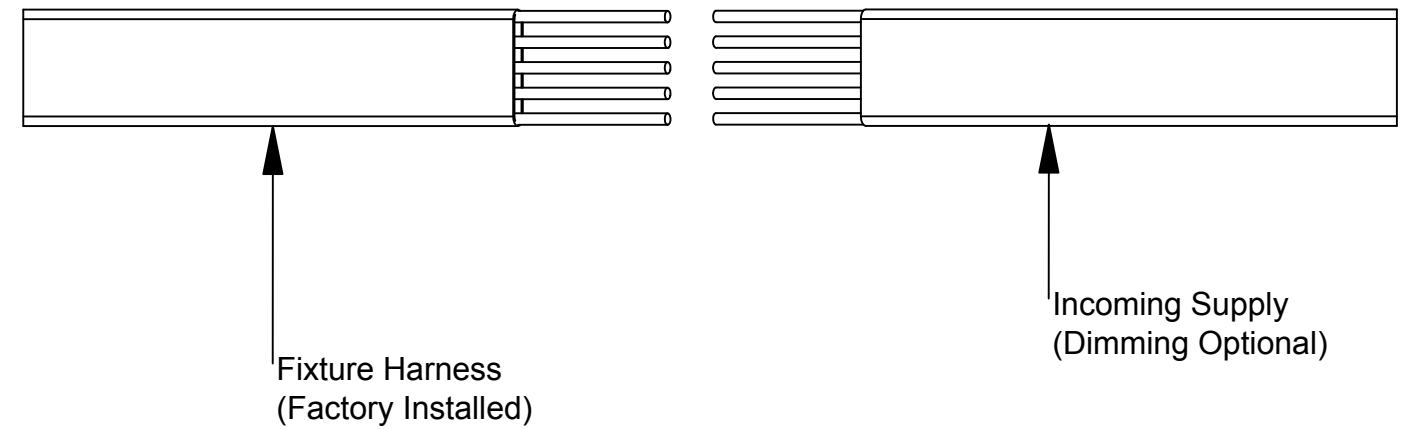
Step 2 - Wire The Fixture

A. Drill Hole For Wiring



- Using a 3/4" bit, drill a hole to allow supply wiring to pass thru.
- **Note:** Use caution when drilling as to not damage components inside of wall.

B. Connect The Wiring



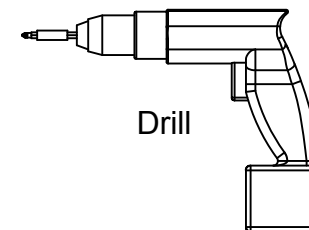
WIRING LEGEND		
Black	Hot	Line Voltage
White	Neutral	Line Voltage
Green	Ground	
Gray	Dimming	0-10V DC
Violet	Dimming	0-10V DC

- Wire the fixture to the incoming supply. Refer to the wiring legend above as needed.
- **Note:** Use UL approved connectors only. Follow all local, state and national codes

Items Used In This Step



3/4" Drill Bit

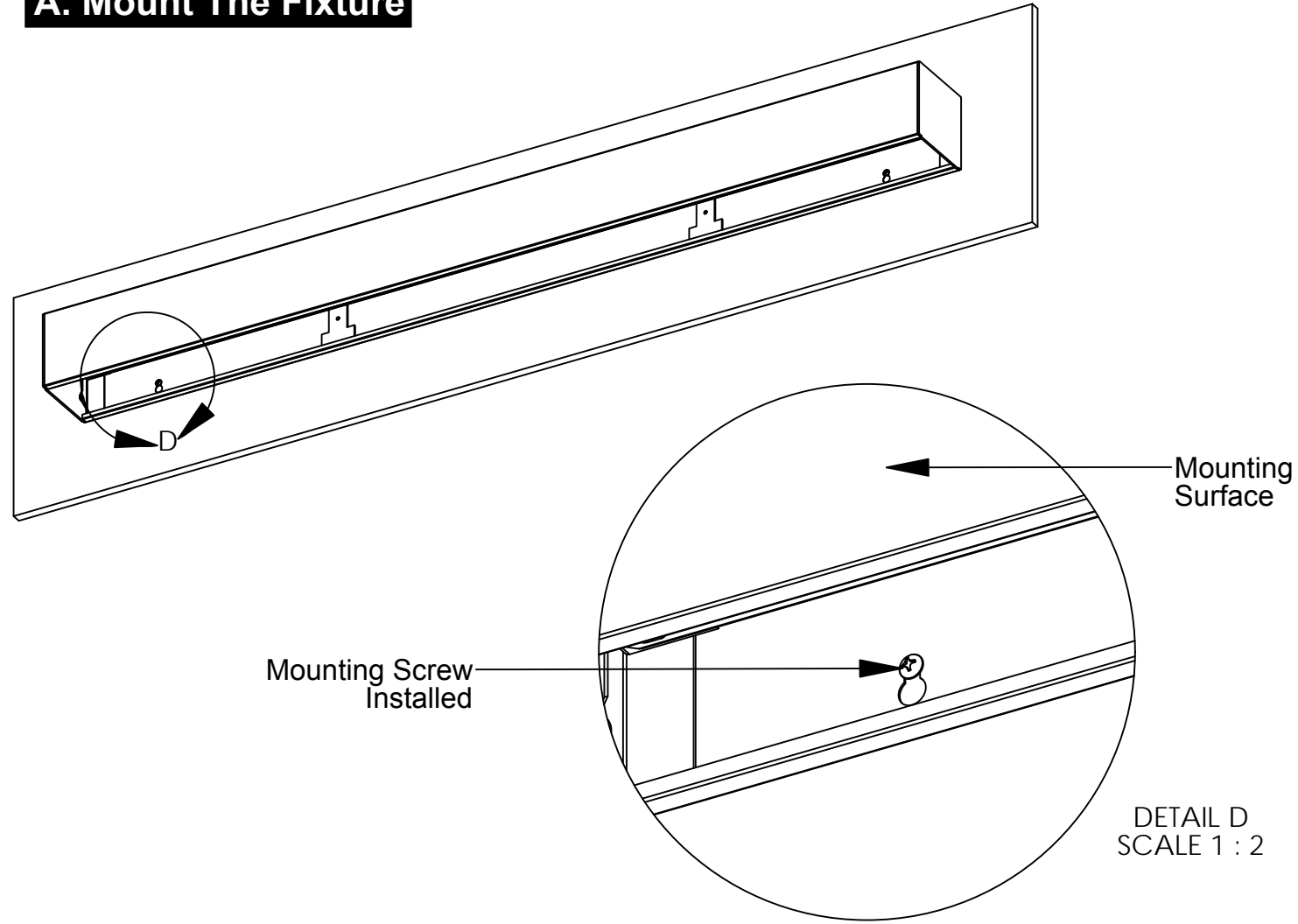


Drill

44-66-Wall Installation Instructions

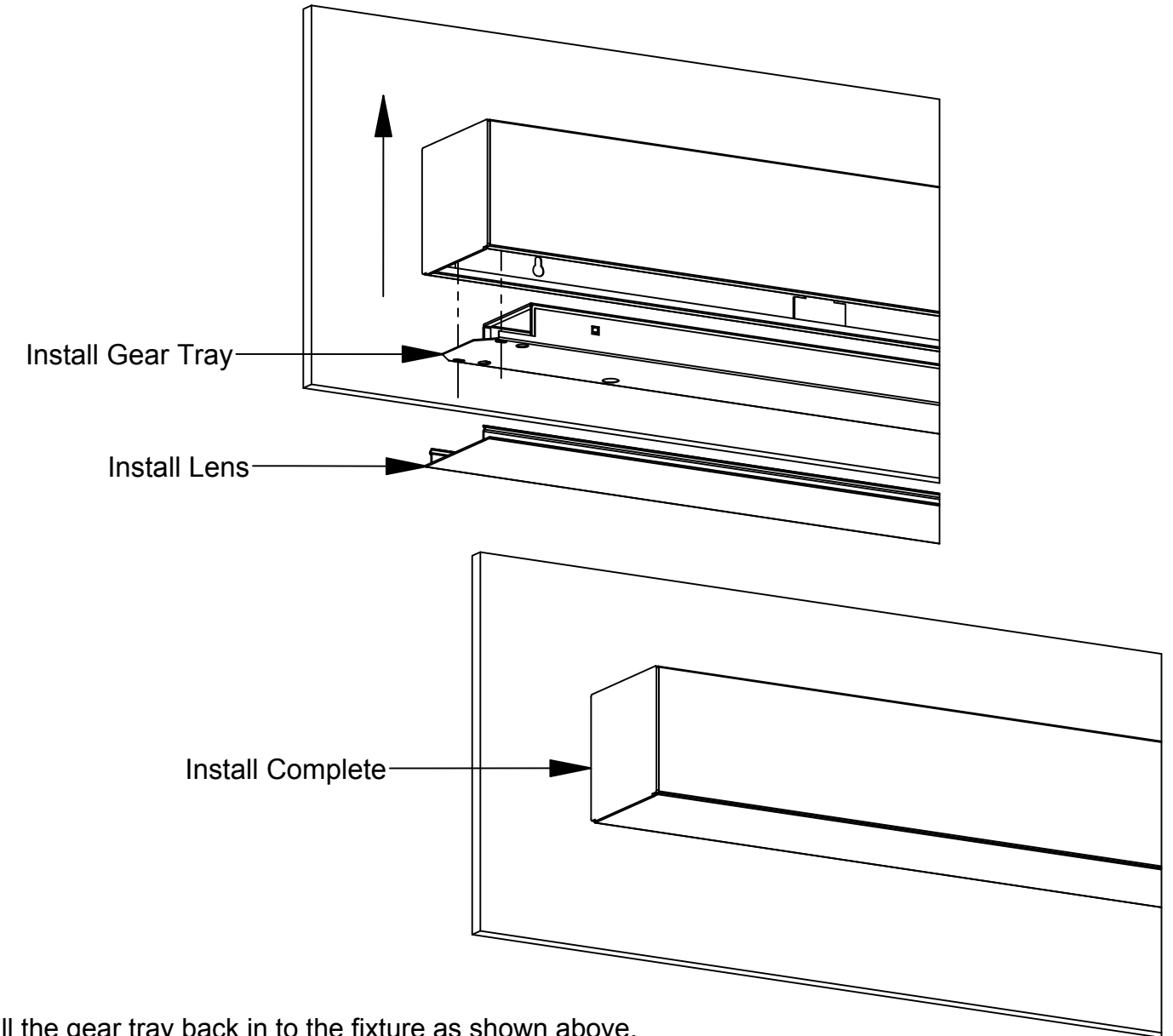
Step 3 - Install The Fixture

A. Mount The Fixture



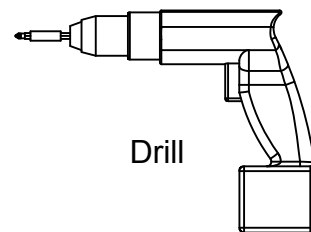
- Press the fixture firmly to the wall.
- Secure the body to the mounting surface using anchored mounting screws (by others).

B. Replace Components



- Install the gear tray back in to the fixture as shown above.
- Reinstall the lens by lining up with the fixture and gently press, causing the lens to snap in.
- Install is now complete.

Items Used In This Step



Mounting Screw W/ Anchor
(By Others)