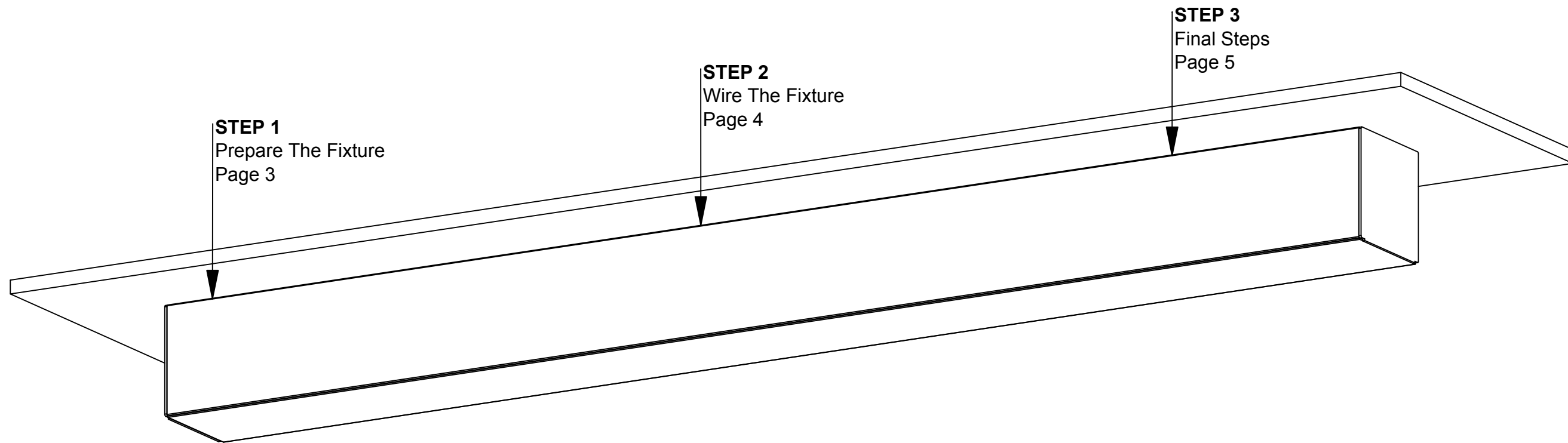


44/66-Surface Installation Instructions

Overview

WARNINGS

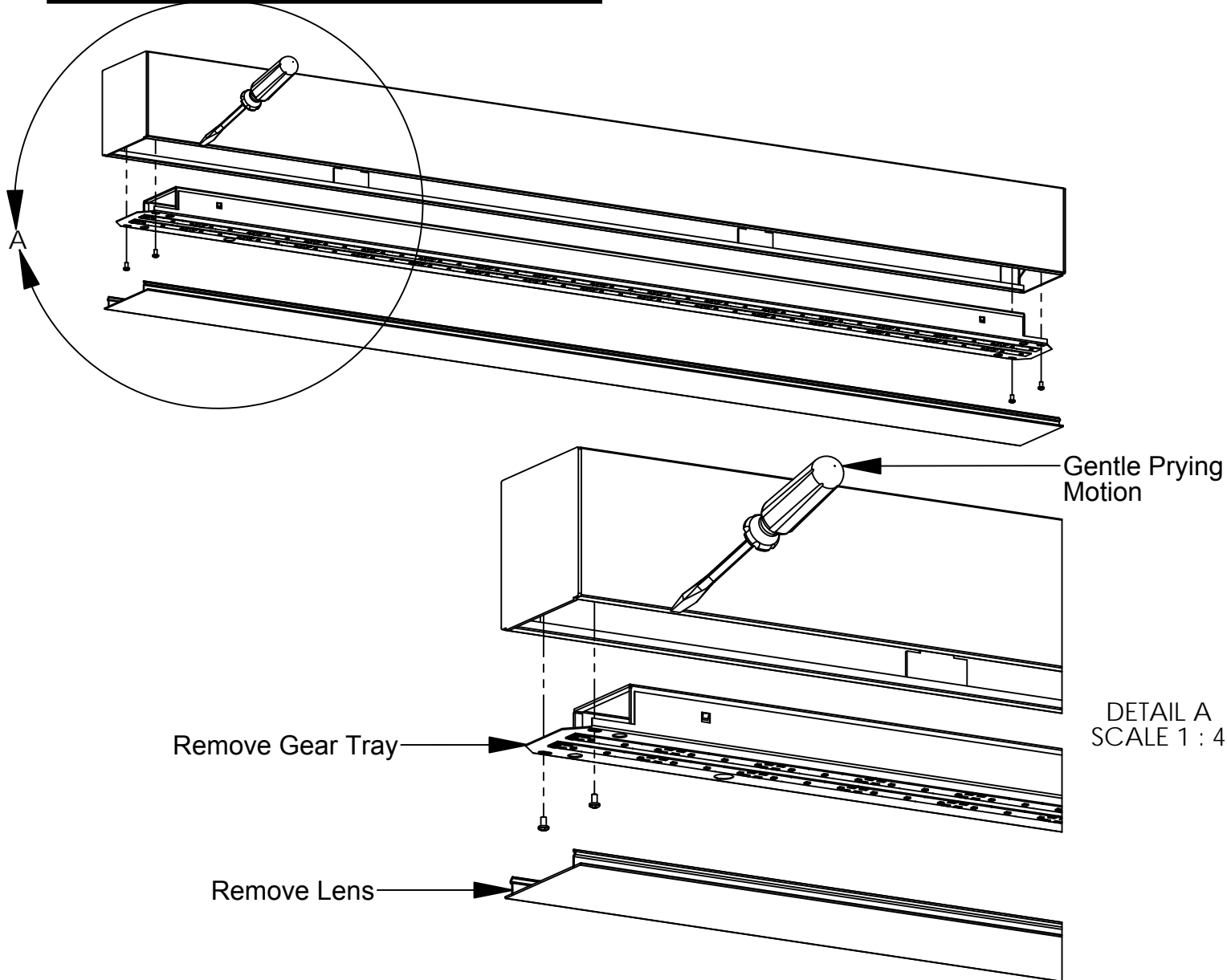
- This product must be installed in accordance with all applicable codes by a person familiar with the product.
- Each fixture must be **properly supported** during install.
- **DO NOT** join fixtures on the floor prior to lifting, or damage will occur.
- **Before beginning installation**, review our complete list of warnings by visiting [www.mobern.com](#)



44/66-Surface Installation Instructions

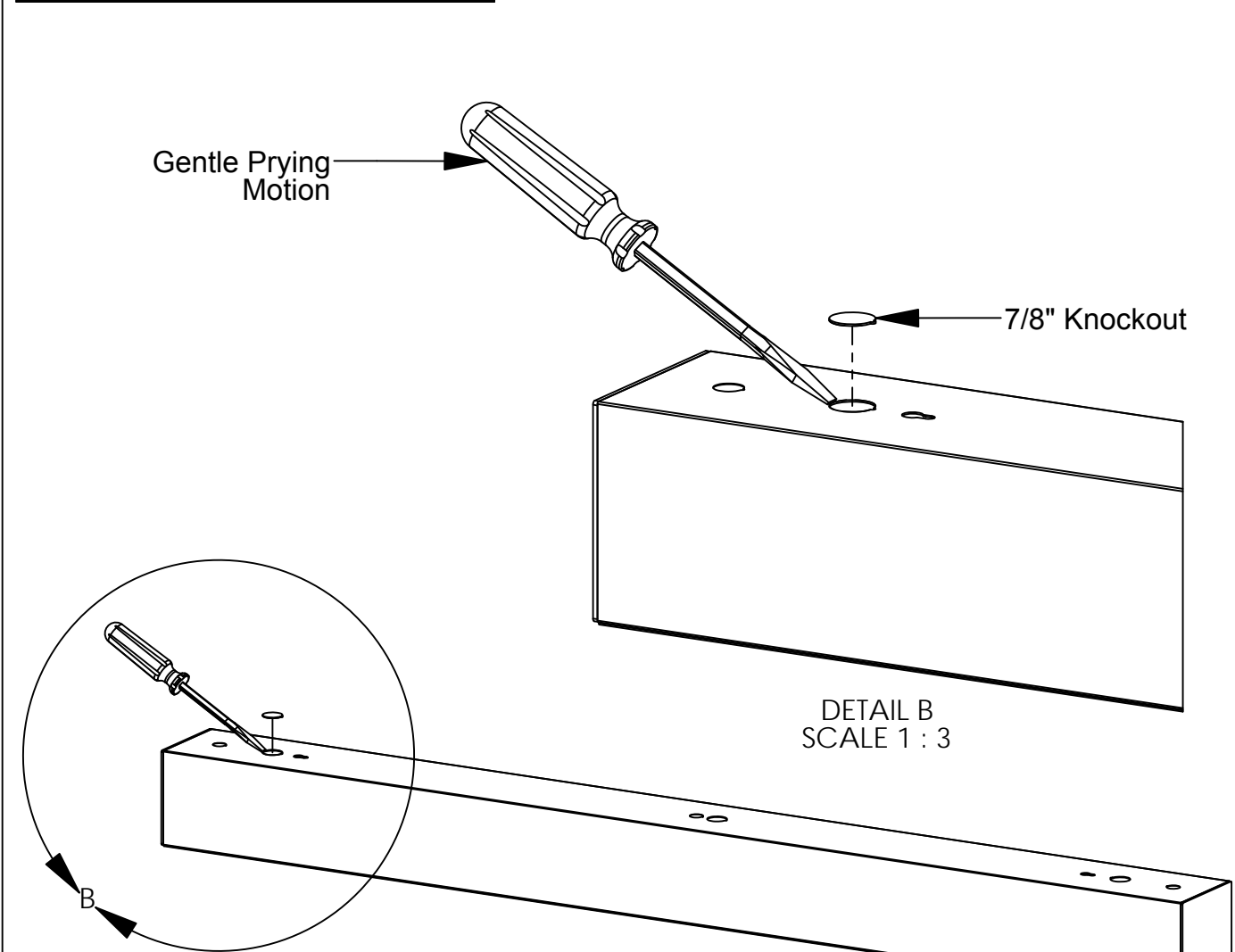
Step 1 - Prepare The Fixture

A. Remove The Lens & Gear Tray



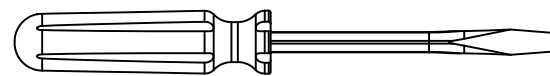
- Carefully insert a flat tip screwdriver, and use a gentle prying motion to remove lenses.
- Remove the gear tray as shown. Set the lens and gear tray aside in a safe location.

B. Remove 7/8" Knockout



- Using a gentle, prying motion, remove the 7/8" knock out from the desired location.

Items Used In This Step



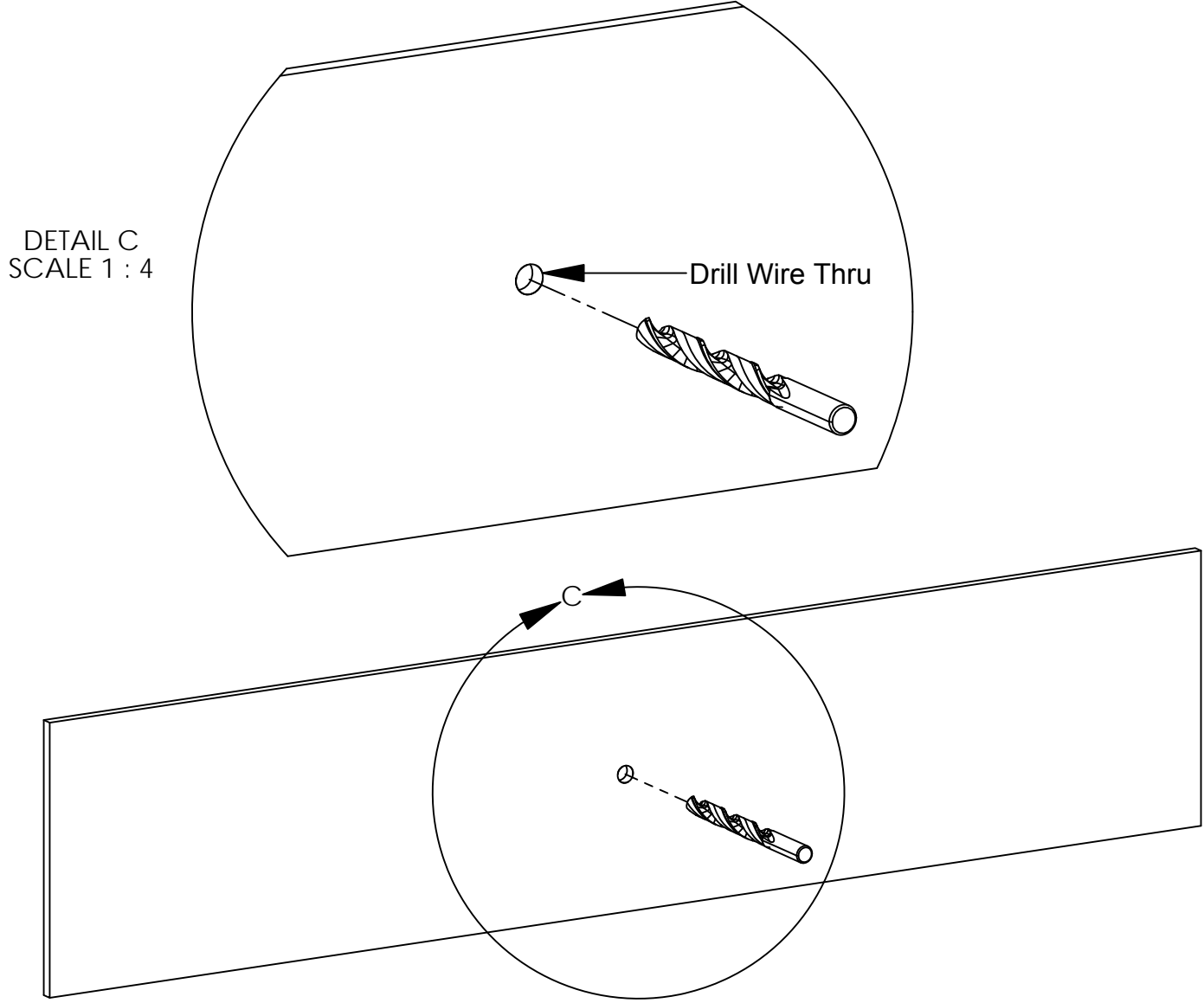
Flat Tip Screwdriver

44/66-Surface Installation Instructions

Step 2 - Wire The Fixture

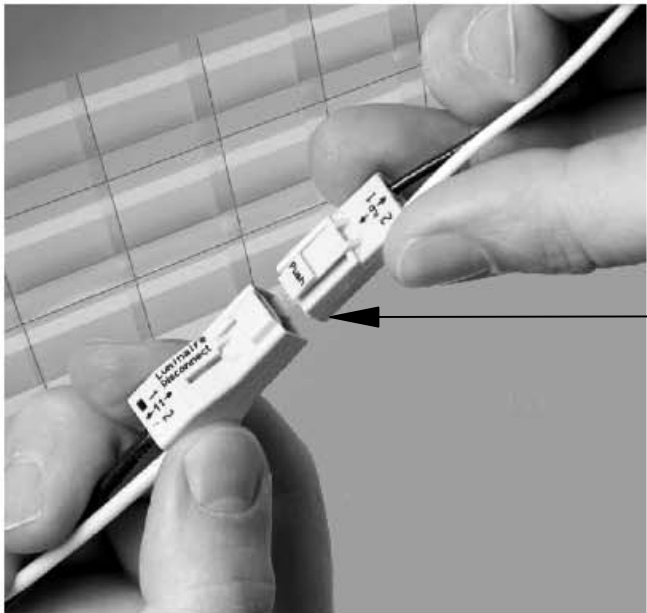


A. Drill Hole



- Using a 5/8" - 3/4" bit, drill a hole to allow supply wiring to pass thru.
- **Note:** Use caution when drilling as to not damage components inside of wall.

B. Connect Power



Quick Disconnect

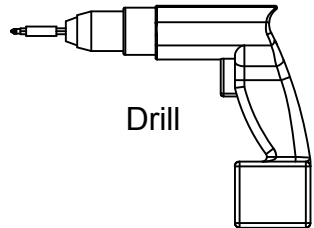
WIRING LEGEND		
Black	Hot	Line Voltage
White	Neutral	Line Voltage
Green	Ground	
Gray	Dimming	0-10V DC
Violet	Dimming	0-10V DC

- Wire the fixture to the incoming supply using provided quick clip as shown.
- For dimming option, refer to the wiring legend above as needed.
- **Note:** Use UL approved connectors only. Follow all local, state and national codes

Items Used In This Step



3/4" Drill Bit

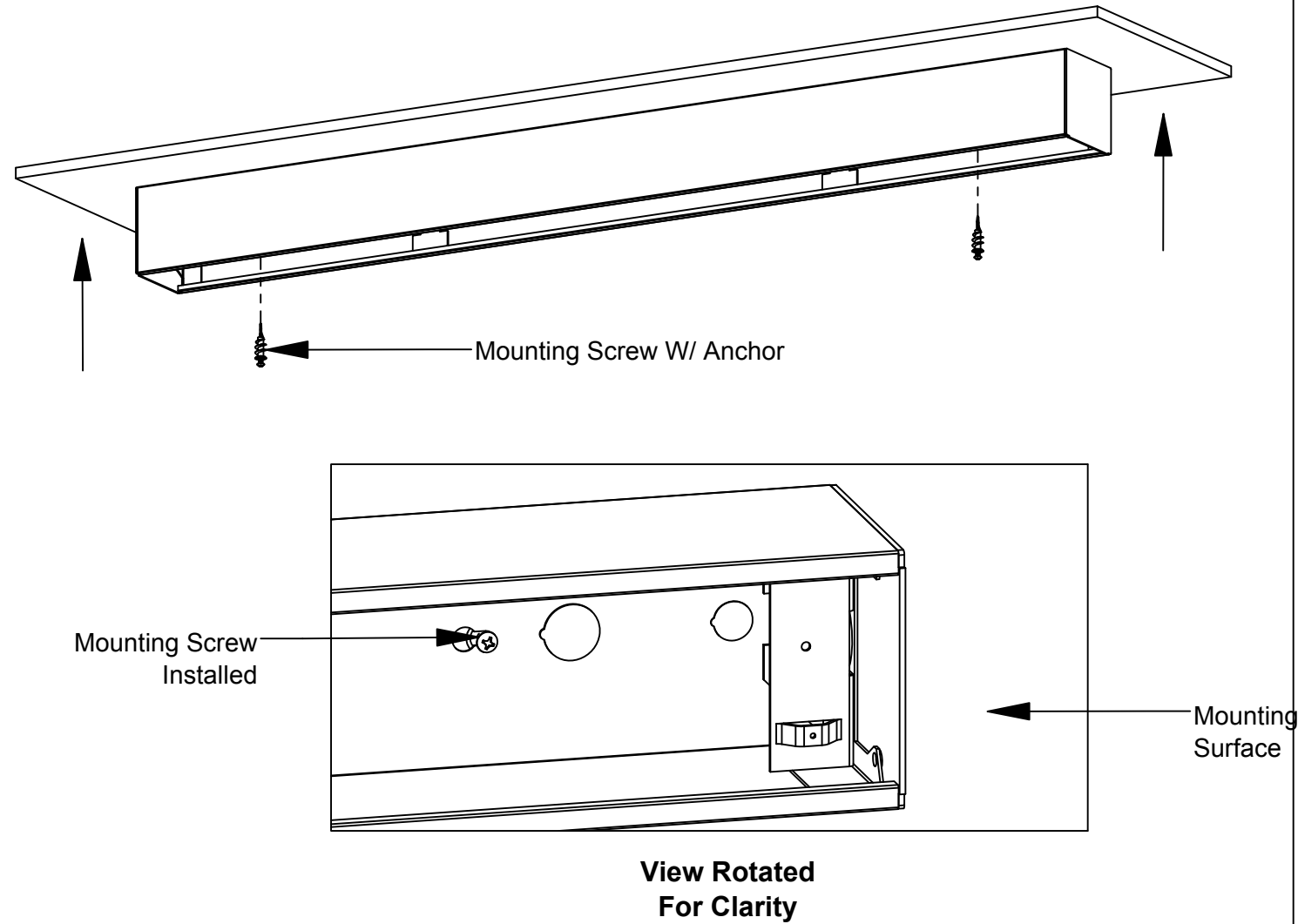


Drill

44/66-Surface Installation Instructions

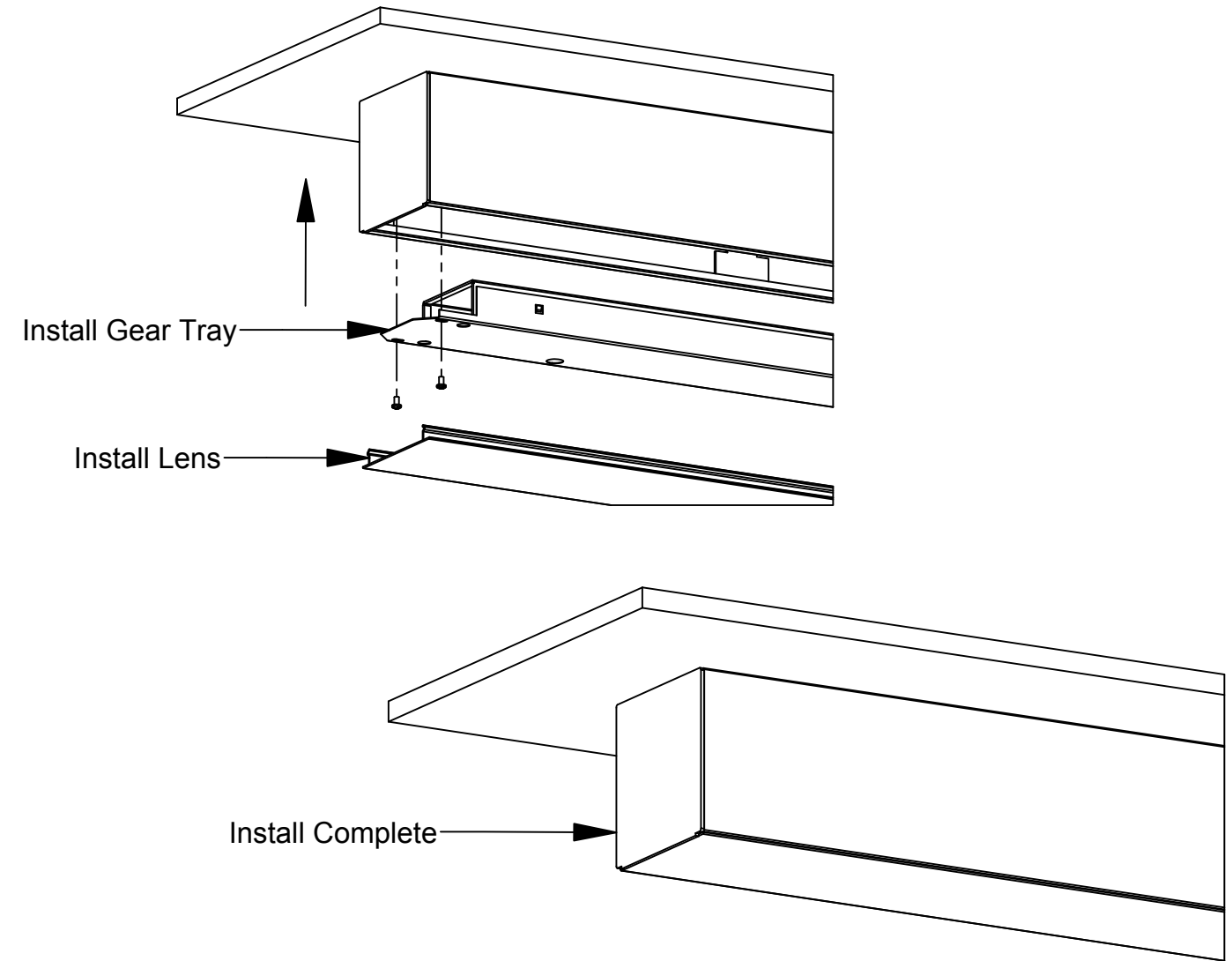
Step 3 - Final Steps

A. Mount The Body



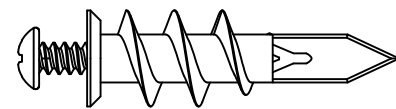
- Press the fixture firmly to the ceiling.
- Secure the body to the mounting surface using anchored mounting screws (by others).

B. Replace Components

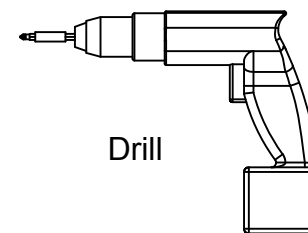


- Install the gear tray back in to the fixture as shown above.
- Reinstall the lens by lining up with the fixture and gently press, causing the lens to snap in.
- Install is now complete.

Items Used In This Step



Mounting Screw W/ Anchor
(By Others)



Drill