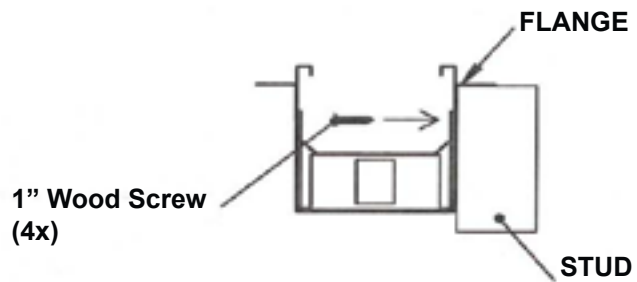
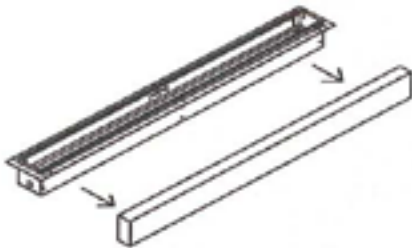


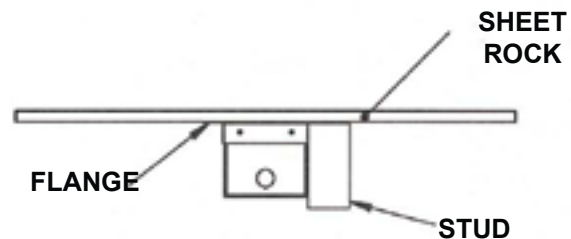
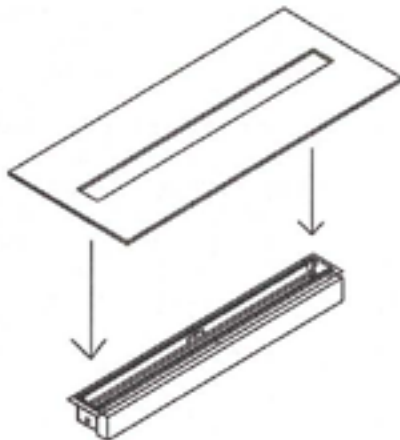
THIS ASSEMBLY IS DESIGNED FOR PRE-SHEETROCK INSTALLATION



STEP ONE: FIRST REMOVE THE LENS, THEN PLACE THE FIXTURE ALONG SIDE A STUD (THAT IS ALREADY IN PLACE FOR THE WALL), THEN USING 1" WOOD SCREWS (x4), ATTACH THE ASSEMBLY TO THE STUD.



STEP TWO: ONCE THE FIXTURE IS SECURED IN PLACE YOU CAN EASILY DO THE WIRING THROUGH THE KNOCK-OUTS ON EITHER END OF THE ASSEMBLY. WHEN READY IT IS NOW TIME TO INSTALL SHEETROCK OVER THE FRONT OF THE FIXTURE. TAKE A PIECE OF SHEETROCK AND CUT OUT A RECTANGULAR HOLE SIZED FOR THE FIXTURE YOU INSTALLED. A STANDARD FOUR FOOT FIXTURE WILL BE A 4X48 INCH CUTOUT, (AND A STANDARD EIGHT FOOT WILL BE A 4X96 INCH CUTOUT). PLACE THE SHEETROCK OVER THE FRONT OF THE FIXTURE UNTIL THE BACK OF THE SHEETROCK IS TOUCHING THE FRONT FACE OF THE PERIMETER FLANGES. SECURE THE SHEETROCK IN PLACE. TO REMOVE ANY SEAMS TAPE AND MUD UP TO THE EDGE OF THE FIXTURE.



STEP THREE: REPLACE LENS