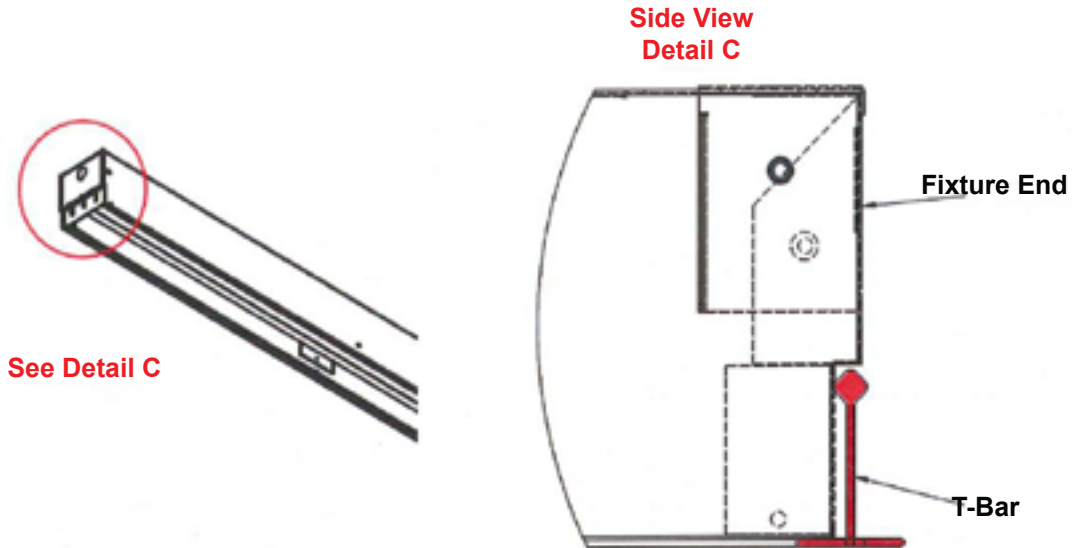
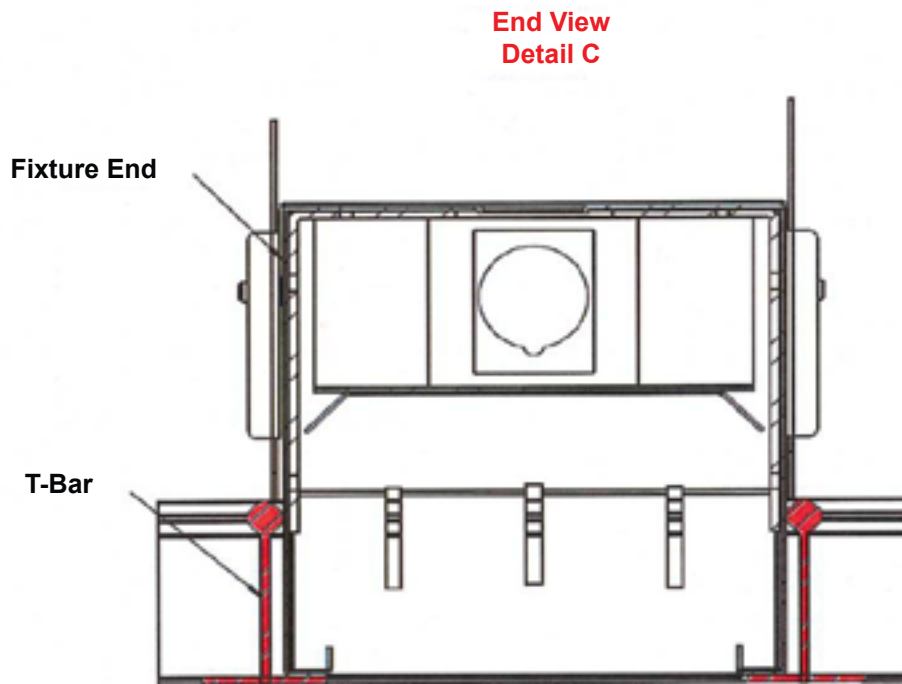


THIS ASSEMBLY IS DESIGNED FOR T-BAR INSTALLATION



STEP ONE: TURN OFF POWER. PLACE THE FIXTURE ON TOP OF THE T-BAR AS SHOWN BELOW



STEP TWO: ONCE THE FIXTURE IS SECURED IN PLACE YOU CAN NOW EASILY DO THE WIRING THROUGH THE KNOCKOUTS ON EITHER END OF THE ASSEMBLY. WHEN READY IT IS NOW TIME TO INSTALL THE SHEETROCK ON T-BAR.