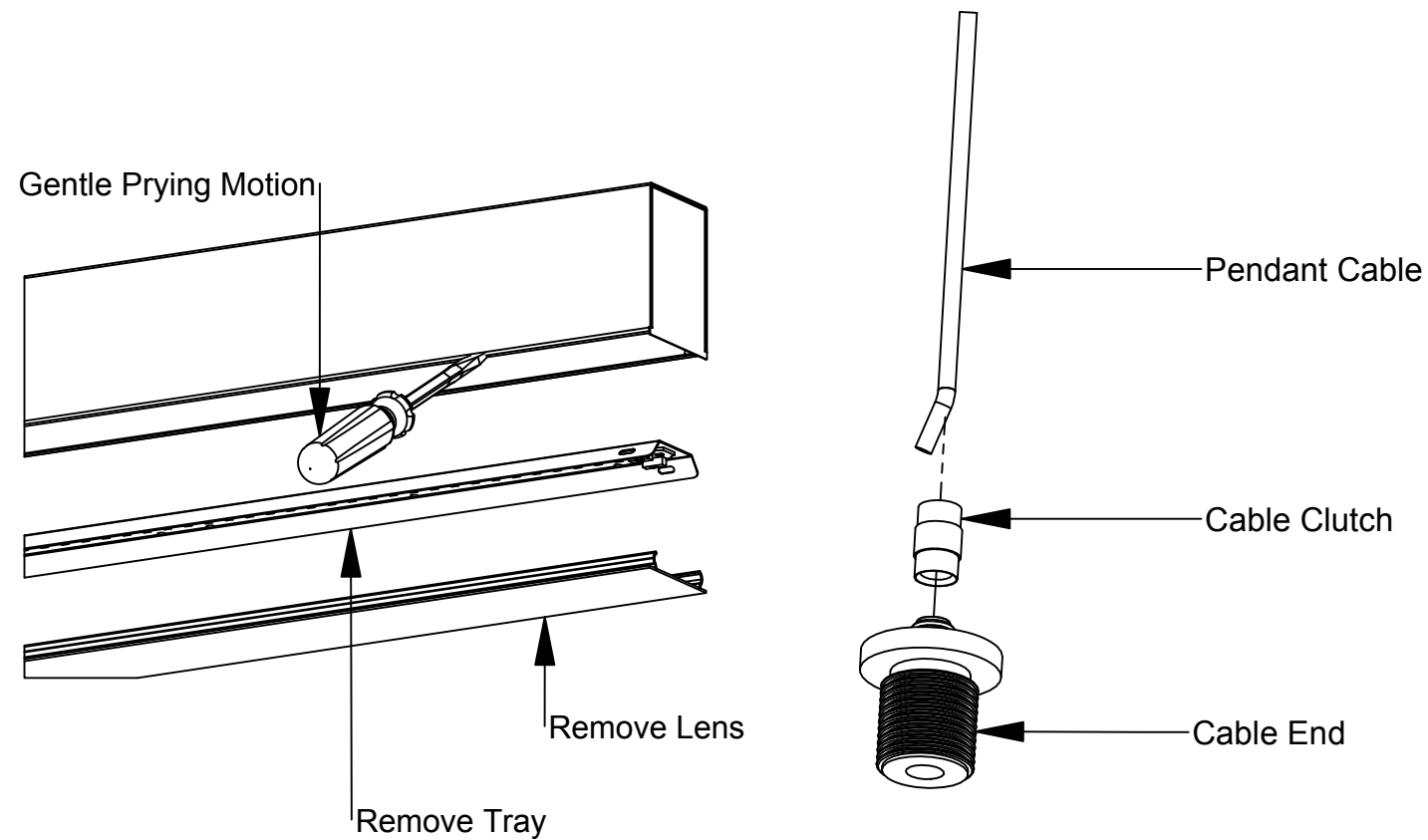


44/66-Pendant Installation Instructions

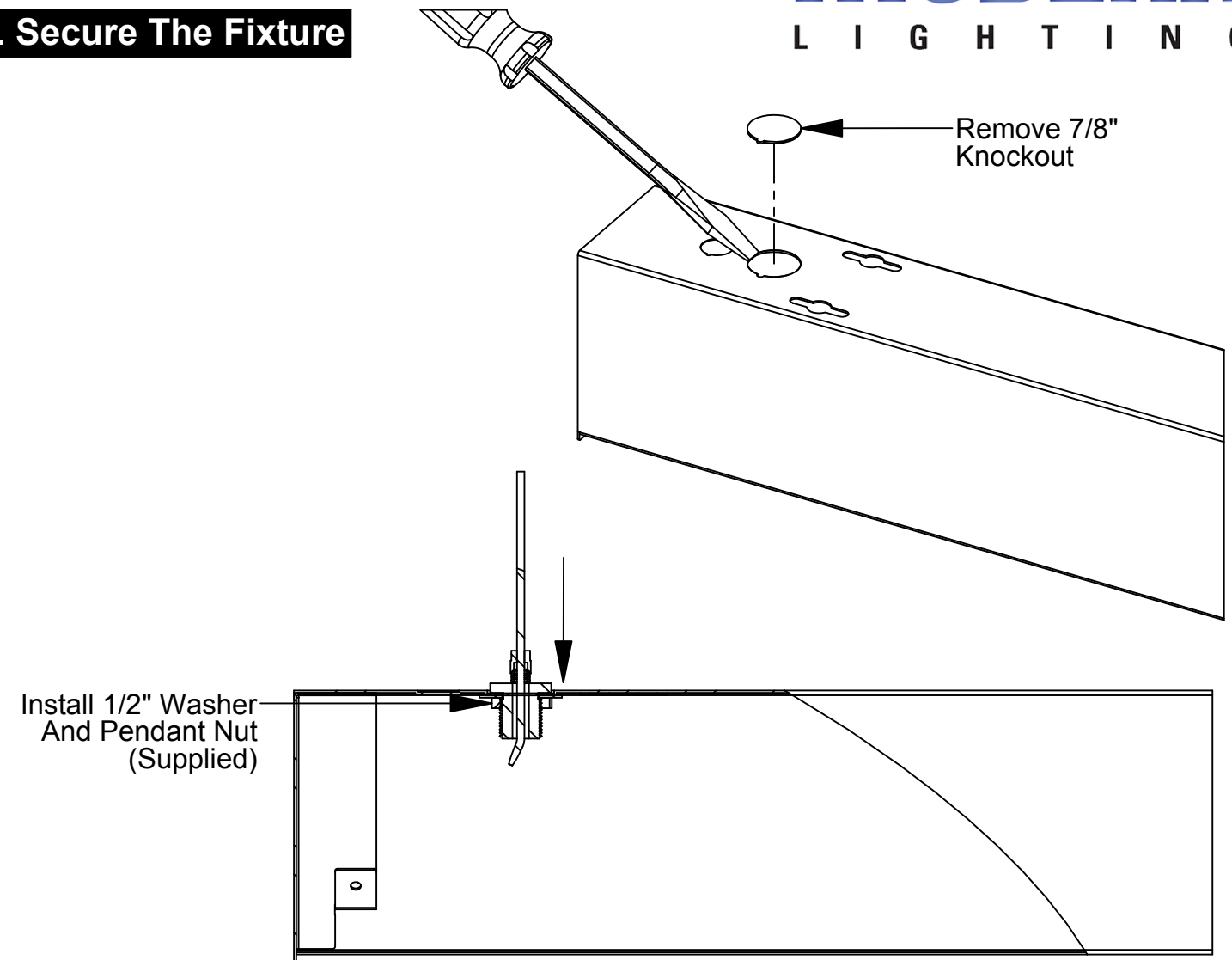
Step 2 - Mount The Fixture

A. Prepare Cable Assembly

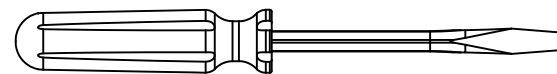


- Remove the lens from the fixture by gently prying with a flat tip screwdriver as shown above.
- Remove the gear tray from the fixture by using a gentle prying motion with the flat tip screwdriver.
- Install the cable clutch to the pendant cable as show, then thread the cable end to the cable clutch.
- The cable assembly is now ready to receive the fixture.

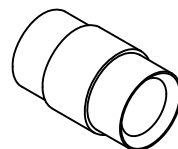
B. Secure The Fixture



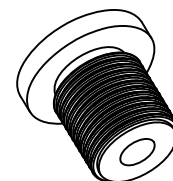
- Using a flat tipped screwdriver, remove the 7/8" knockout from the fixture in the desired location.
- Insert the cable end in to the knock out. Secure the end using the provided 1/2" washer and nut.
- Repeat steps to secure the power end of the fixture to the other preinstalled hanging kit.
- Tighten the nut 1/4 turn with pliers. Secure both ends of the fixture.



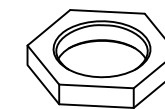
Flat Tip Screwdriver



Pendant Cable Cuff
(Provided)



Cable End
(Provided)

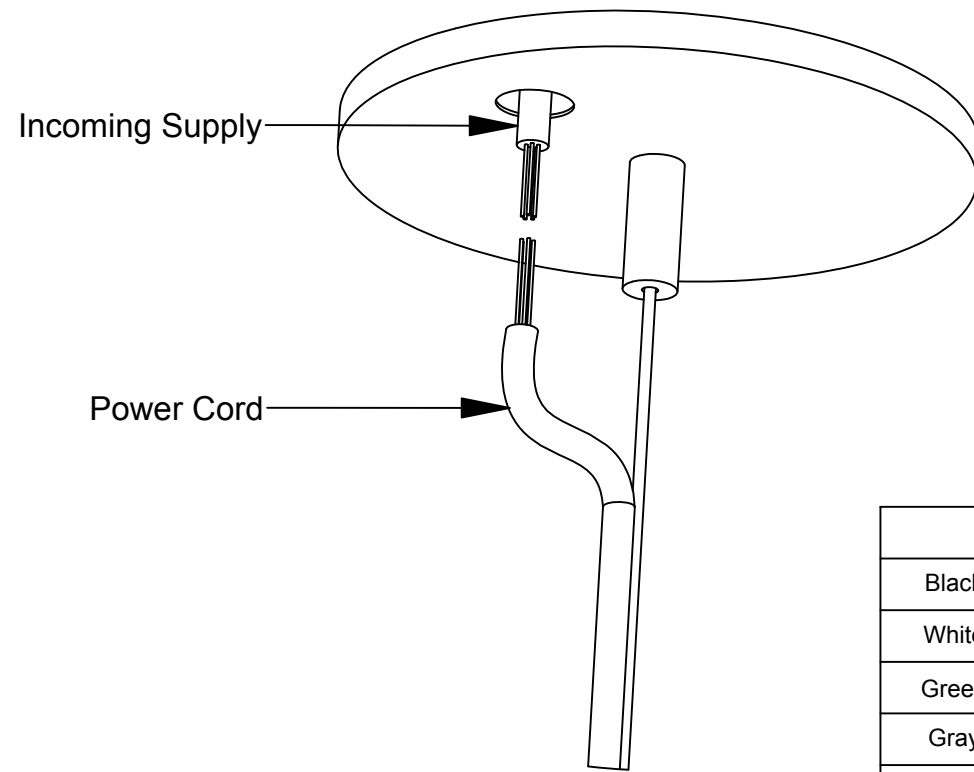


301-Pendant Nut
(Provided)

44/66-Pendant Installation Instructions

Step 3 - Connect Power Cord

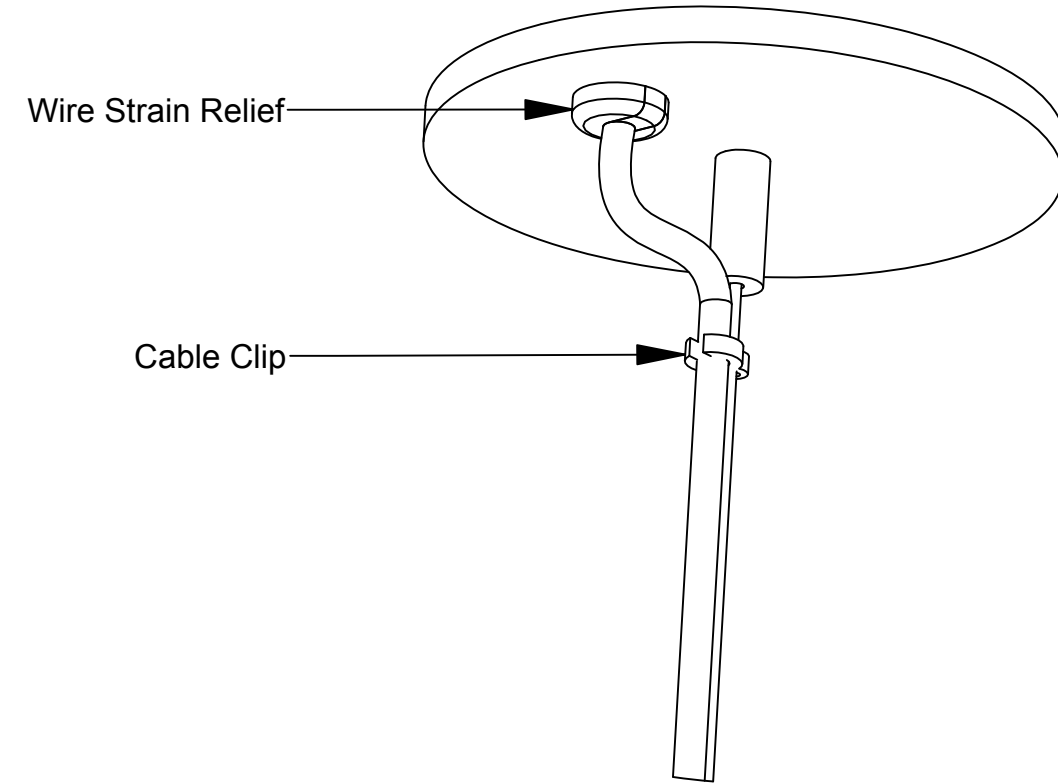
A. Connect The Wires



WIRING LEGEND		
Black	Hot	Line Voltage
White	Neutral	Line Voltage
Green	Ground	
Gray	Dimming	0-10V DC
Violet	Dimming	0-10V DC

- Connect the incoming supply to the power cord by following all local, state and national codes.
- Match wire colors together. Refer to the chart above as needed.

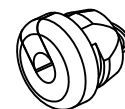
B. Install Grommet / Cable Clip



- After connecting the wires, feed the connections back in to the J-Box.
- Install the wire strain relief, and press in to the opening until it clicks in to place.
- Install the cable clip as shown above. Install is now complete.



Pendant Cable Clip
(Provided)



Wire Strain Relief
(Provided)



Pendant Power Cord
(Provided)