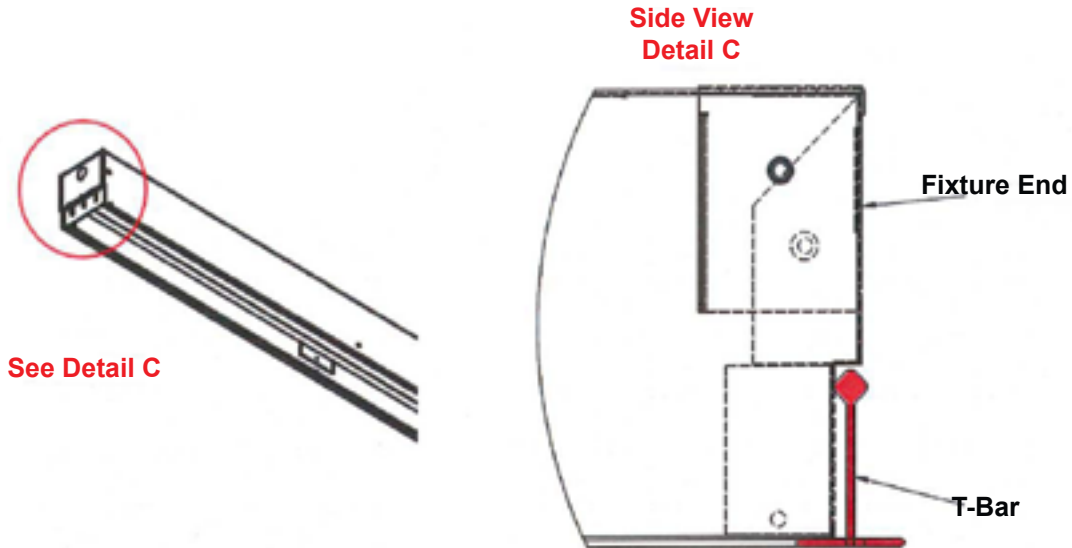
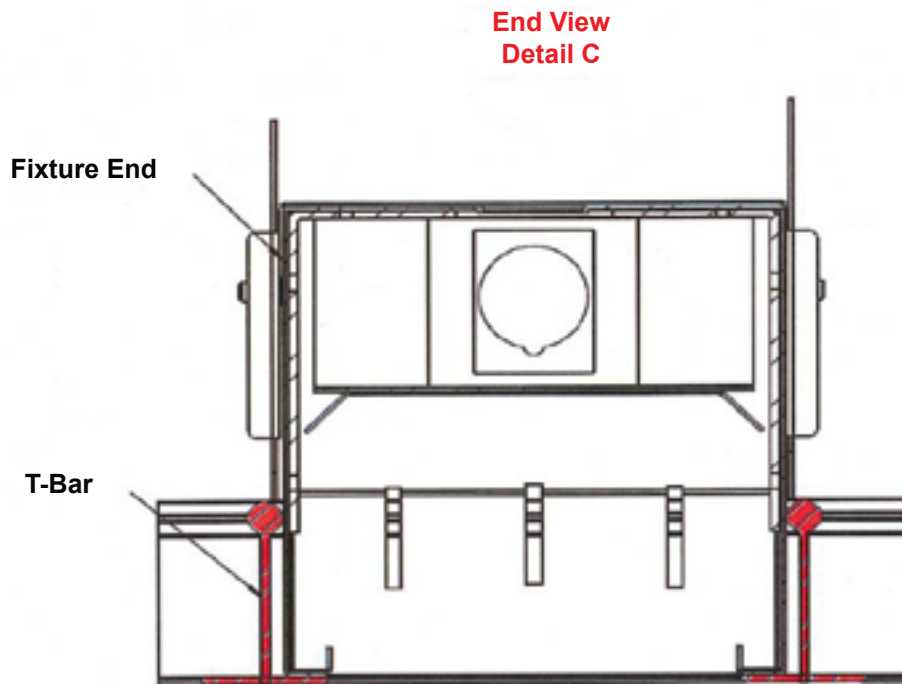


THIS ASSEMBLY IS DESIGNED FOR T-BAR INSTALLATION



STEP ONE: TURN OFF POWER. PLACE THE FIXTURE ON TOP OF THE T-BAR AS SHOWN BELOW

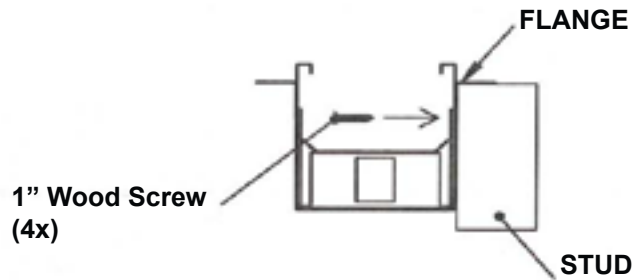
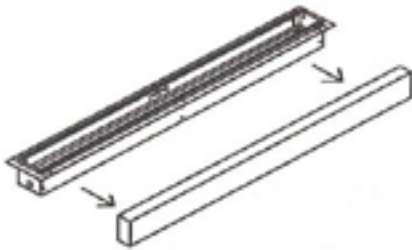


STEP TWO: ONCE THE FIXTURE IS SECURED IN PLACE YOU CAN NOW EASILY DO THE WIRING THROUGH THE KNOCKOUTS ON EITHER END OF THE ASSEMBLY. WHEN READY IT IS NOW TIME TO INSTALL THE SHEETROCK ON T-BAR.

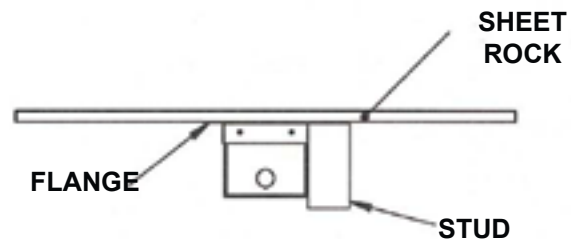
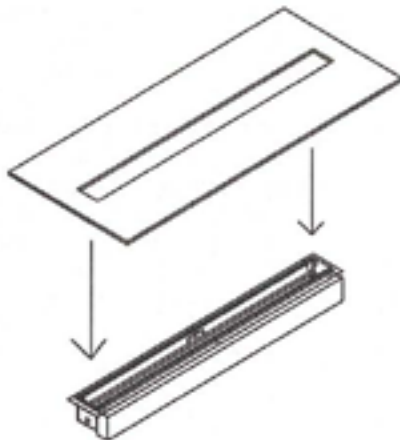
THIS ASSEMBLY IS DESIGNED FOR PRE-SHEETROCK INSTALLATION



STEP ONE: FIRST REMOVE THE LENS, THEN PLACE THE FIXTURE ALONG SIDE A STUD (THAT IS ALREADY IN PLACE FOR THE WALL), THEN USING 1" WOOD SCREWS (x4), ATTACH THE ASSEMBLY TO THE STUD.



STEP TWO: ONCE THE FIXTURE IS SECURED IN PLACE YOU CAN EASILY DO THE WIRING THROUGH THE KNOCK-OUTS ON EITHER END OF THE ASSEMBLY. WHEN READY IT IS NOW TIME TO INSTALL SHEETROCK OVER THE FRONT OF THE FIXTURE. TAKE A PIECE OF SHEETROCK AND CUT OUT A RECTANGULAR HOLE SIZED FOR THE FIXTURE YOU INSTALLED. A STANDARD FOUR FOOT FIXTURE WILL BE A 4X48 INCH CUTOUT, (AND A STANDARD EIGHT FOOT WILL BE A 4X96 INCH CUTOUT). PLACE THE SHEETROCK OVER THE FRONT OF THE FIXTURE UNTIL THE BACK OF THE SHEETROCK IS TOUCHING THE FRONT FACE OF THE PERIMETER FLANGES. SECURE THE SHEETROCK IN PLACE. TO REMOVE ANY SEAMS TAPE AND MUD UP TO THE EDGE OF THE FIXTURE.

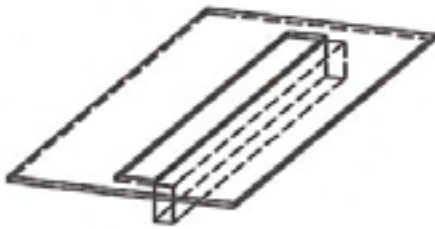


STEP THREE: REPLACE LENS

THIS ASSEMBLY IS DESIGNED FOR POST SHEETROCK INSTALLATION

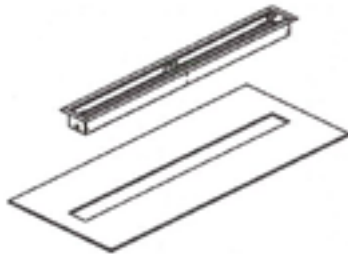
STEP ONE: BE SURE TO LAY BOARDS (2X4) ALONG THE PATH YOU WOULD LIKE THE FIXTURE TO BE PLACED. THIS BOARD WILL BE WHAT THE FIXTURE IS LATER ATTACHED TO SO IT MUST LAY ALONG SIDE THE PLACE YOU WOULD LIKE TO MOUNT THE FIXTURE.

STEP TWO: PUT UP THE SHEETROCK WITH THE POSITION OF THE FIXTURE MARKED OUT TO BE CUTOUT AFTER THE SHEETROCK IS UP, OR HAVE THE FIXTURE HOLES CUT OUT ALREADY, BUT REMEMBER THIS CUTOUT SHOULD RUN ALONG SIDE THE PRIOR MENTIONED 2X4.



THE EXACT HOLE SIZE CUTOUT FOR EACH FIXTURE CAN BE FOUND IN ITS ASSEMBLY DRAWING, BUT IN GENERAL THE SIZE CUTOUTS SHOULD BE AS SHOWN IN THE CHART.

SERIES	4 FT.	8 FT.
L44RF	4X48	4X96
L66RF	5.750X48	5.750X96



ALL DIMENSIONS ARE IN INCHES.

STEP THREE: REMOVE LENS ON FIXTURE. PLACE FIXTURE INTO HOLE CUT OUT IN SHEETROCK, PRESS ALL THE WAY INTO HOLE UNTIL THE BACK FACE OF THE SIDE FLANGES ARE SNUGLY AGAINST THE OUTER FACE OF THE SHEETROCK. ONCE YOU ARE CONTENT WITH THE POSITION OF THE FIXTURE, USE WOOD SCREWS TO SCREW THRU THE SIDE OF THE FIXTURE INTO THE 2X4 THAT WAS PREVIOUSLY DISCUSSED.

STEP FOUR: REPLACE LENS.

