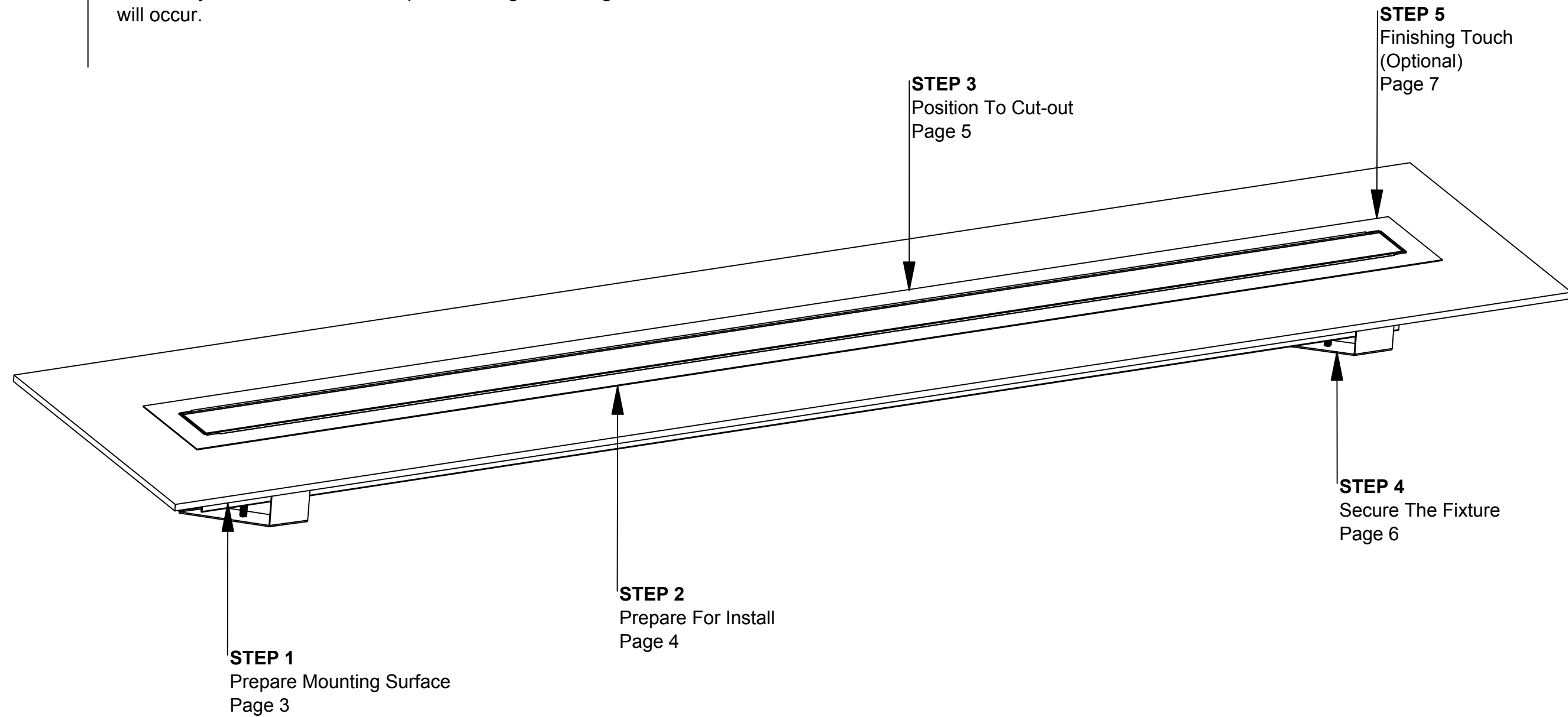


L23-Recessed Flange Installation Instructions

Overview

WARNINGS

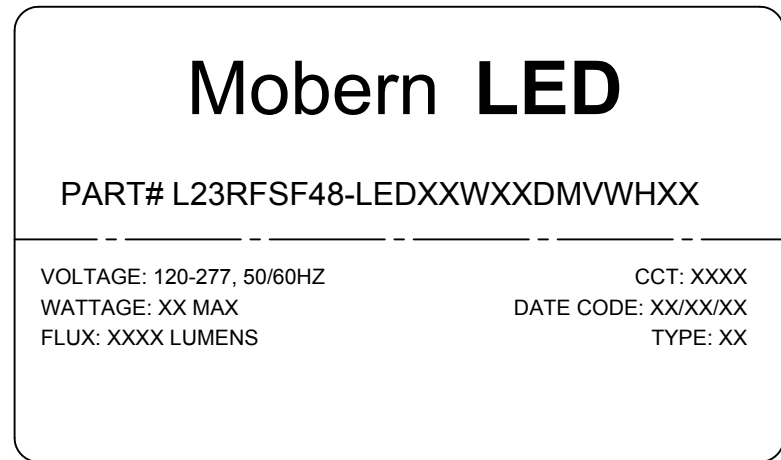
- This product must be installed in accordance with all applicable codes by a person familiar with the product.
- Each fixture must be **properly supported** during install.
- **DO NOT** join fixtures on the floor prior to lifting, or damage will occur.



L23-Recessed Flange Installation Instructions

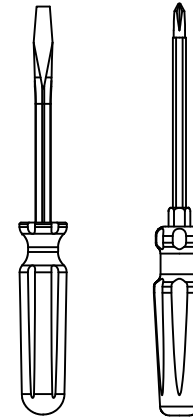
Preparation - Tools/Parts Identification

A. Identify Fixtures



- Use labels found on the box and inside fixture bodies to identify bodies.
- **NOTE:** Locations of labels can vary.
- Remove all fixtures from their boxes.
- Organize fixtures based on their labels at the install location.

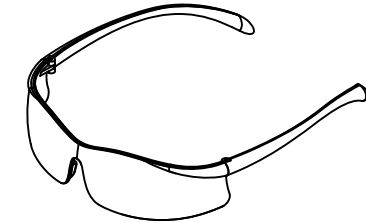
B. Tools Needed



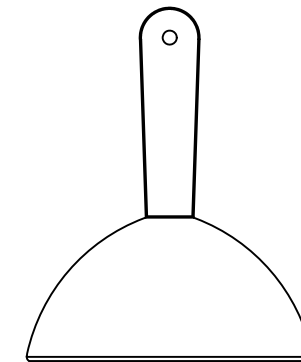
Screwdrivers



Utility Knife



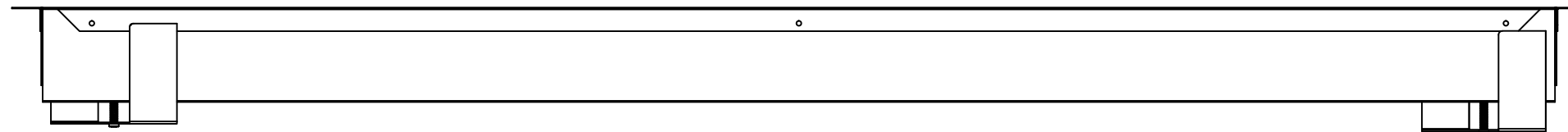
Safety Glasses



Mud Knife

- Always use proper safety equipment when installing fixtures.
- Tools shown are recommended for standard install. Tools needed may vary based on actual install location conditions.

C. Identify Parts



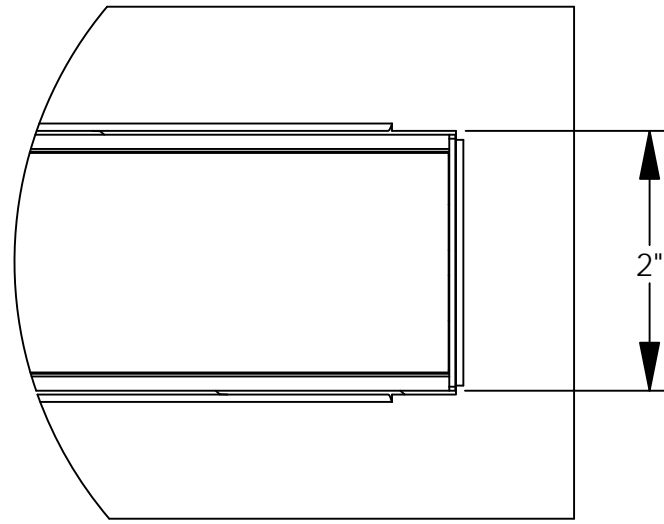
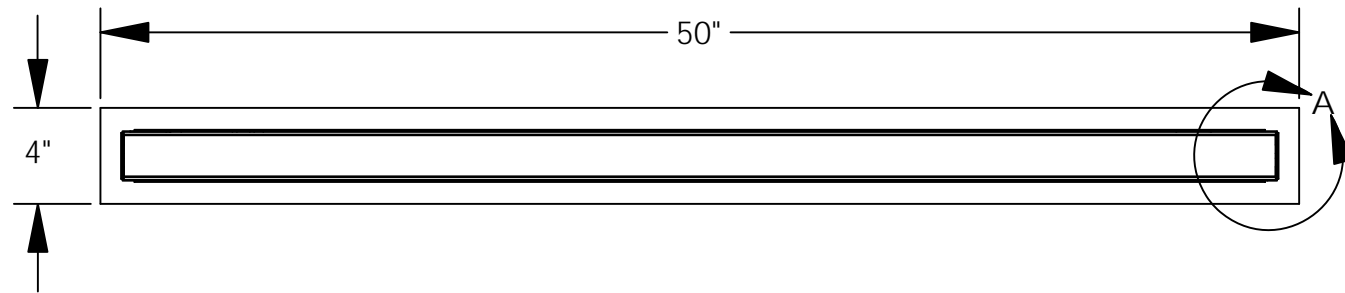
L23-Recessed Flange Fixture
(Provided)

- Read entire install instructions before beginning installation.
- Unpack all components and arrange in order of install steps.
- For help with installation, please contact us at www.mobern.com or call us at (800) 444-9288.

L23-Recessed Flange Installation Instructions

Step 1 - Prepare Mounting Surface

A. Transfer Measurements

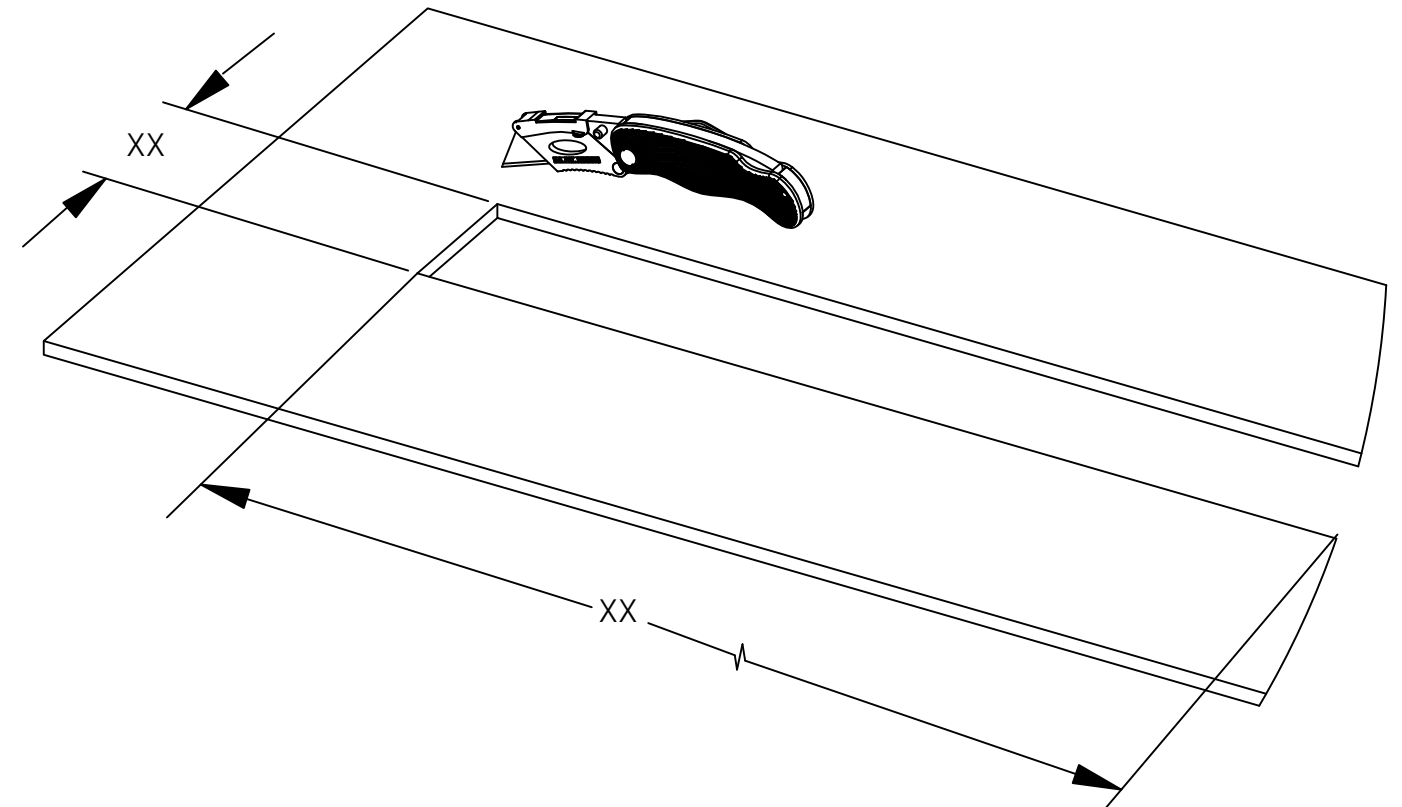


DETAIL A
SCALE 1 : 1.5

Note: 4FT fixture shown,
fixture length may vary.

- Note the length and width dimensions of the fixture, including the pre-installed flange.
- Transfer the dimensions to the grid. Set the grid rails to the proper width.

B. Make Cut-Out



- Using a utility knife or similar, cut out an opening for the fixture in the mounting surface.
- **Note:** Keep the cut out size as small and tight to the fixture as possible.

Items Used In This Step

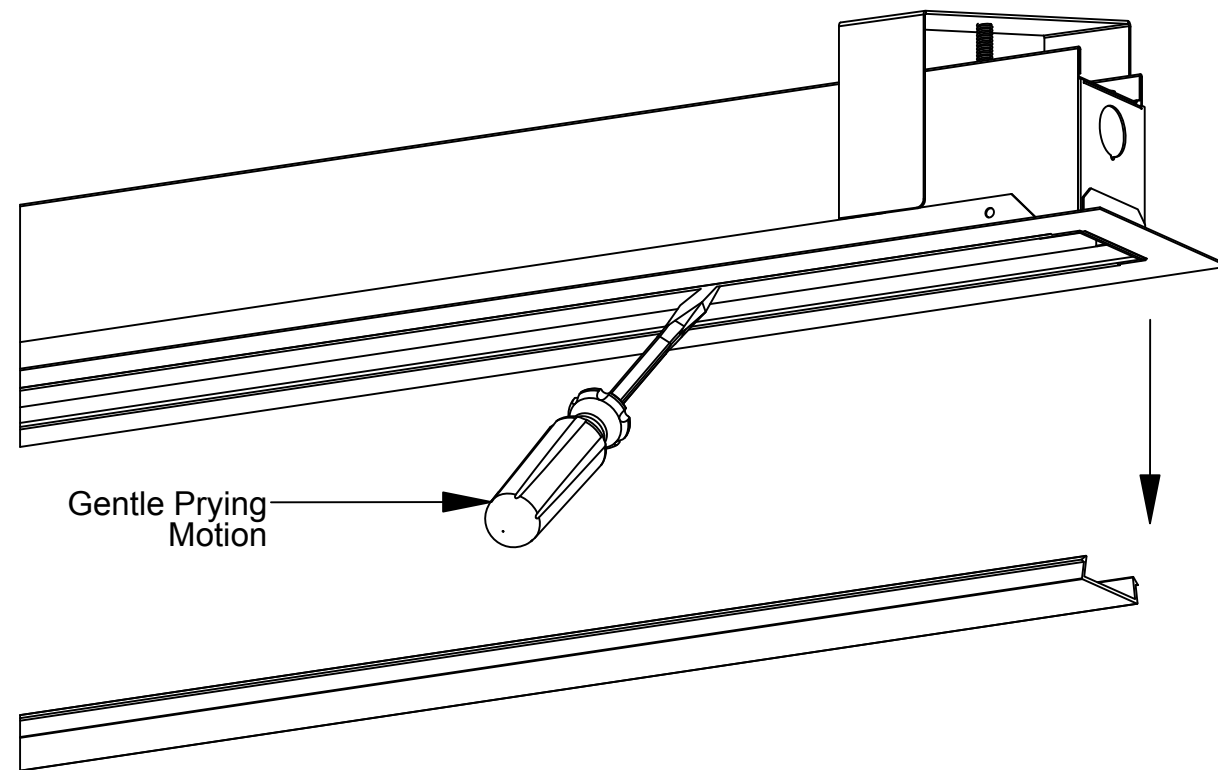


Utility Knife

L23-Recessed Flange Installation Instructions

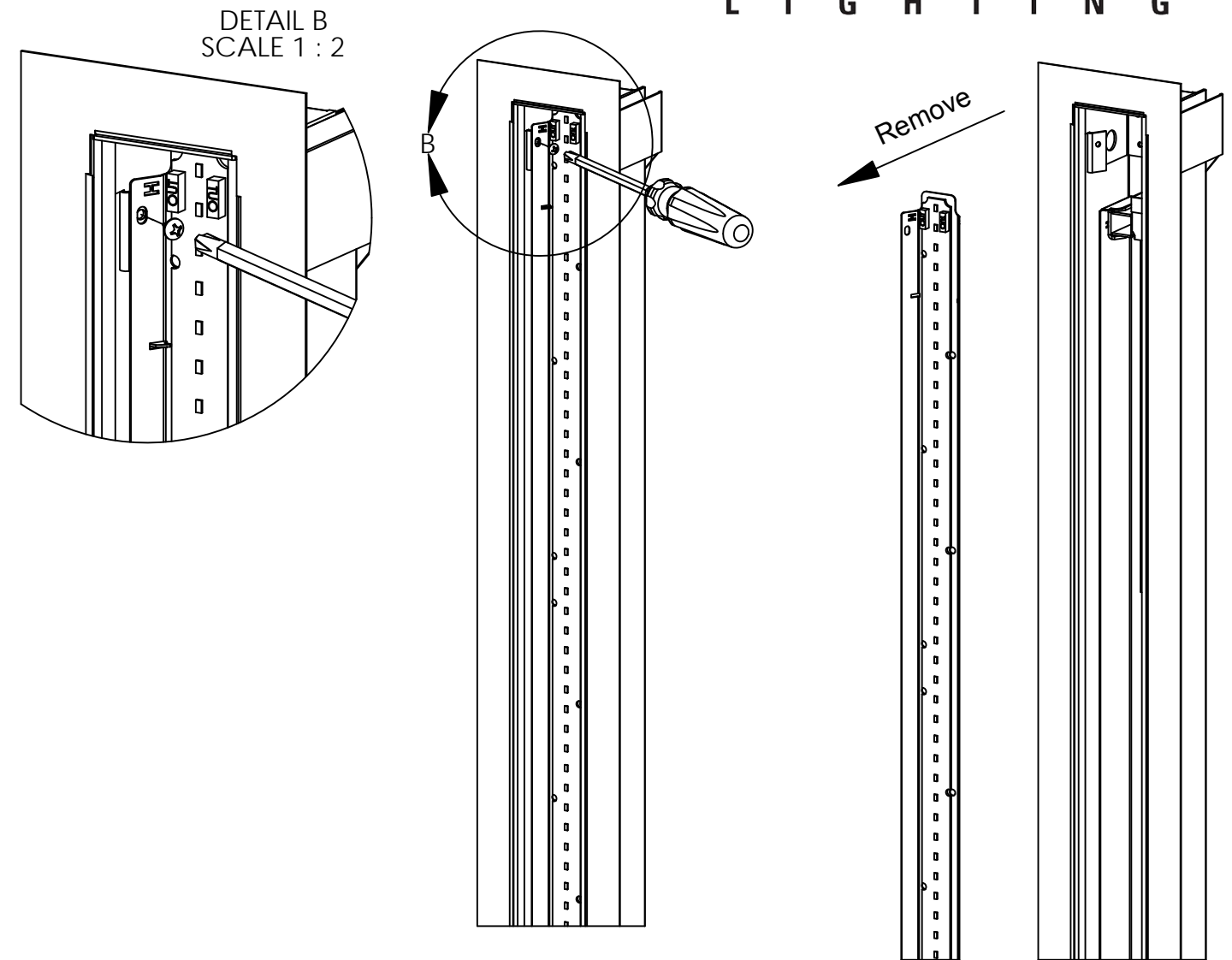
Step 2 - Prepare The Fixture

A. Remove The Lens



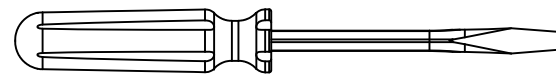
- Carefully insert a flat-head screwdriver, and use a gentle prying motion to remove lens.

B. Position Brackets

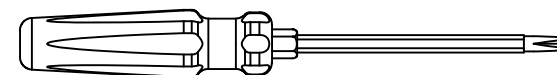


- Using a phillips screwdriver, remove the #8-32 X .25" screws as shown above. Set aside.
- **Note:** Set the screws aside in a safe place. They will be used in a later step.
- Remove the gear tray from the pan as shown, and set aside in a safe place.

Items Used In This Step



Flat Tip Screwdriver



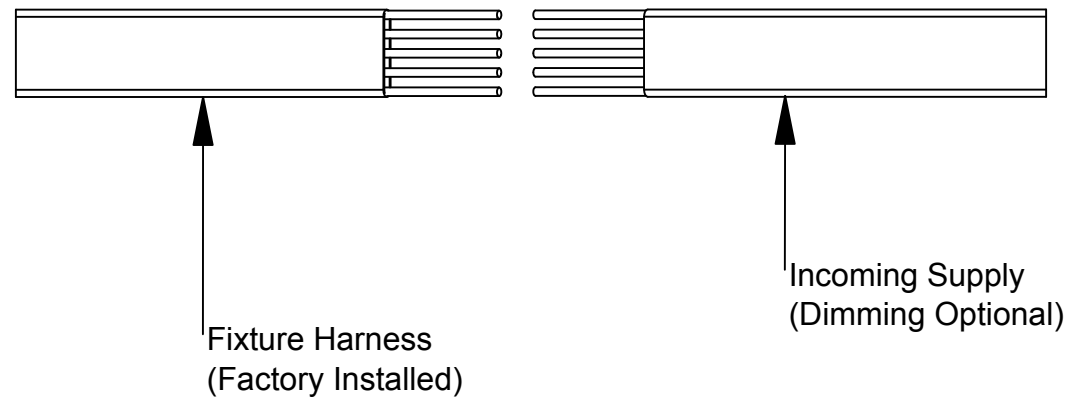
Phillips Screwdriver

L23-Recessed Flange Installation Instructions

Step 3 - Install The Fixture

A. Connect Power Cord

WIRING LEGEND		
Black	Hot	Line Voltage
White	Neutral	Line Voltage
Green	Ground	
Gray	Dimming	0-10V DC
Violet	Dimming	0-10V DC

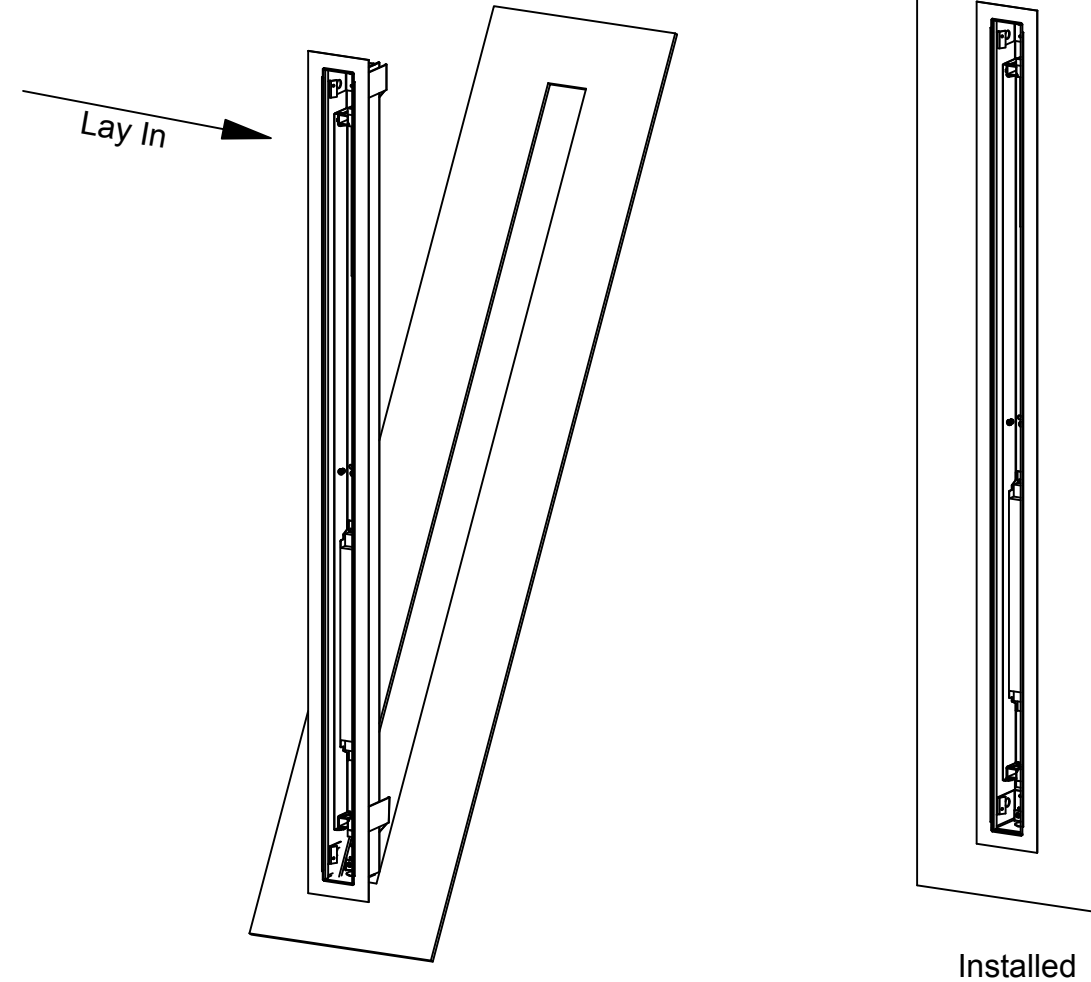


- Wire the fixture to the incoming supply. Refer to the wiring legend above as needed.
- **Note:** Use UL approved connectors only. Follow all local, state and national codes.

Items Used In This Step

(No Special Items Used)

B. Position Fixture In Cut-Out



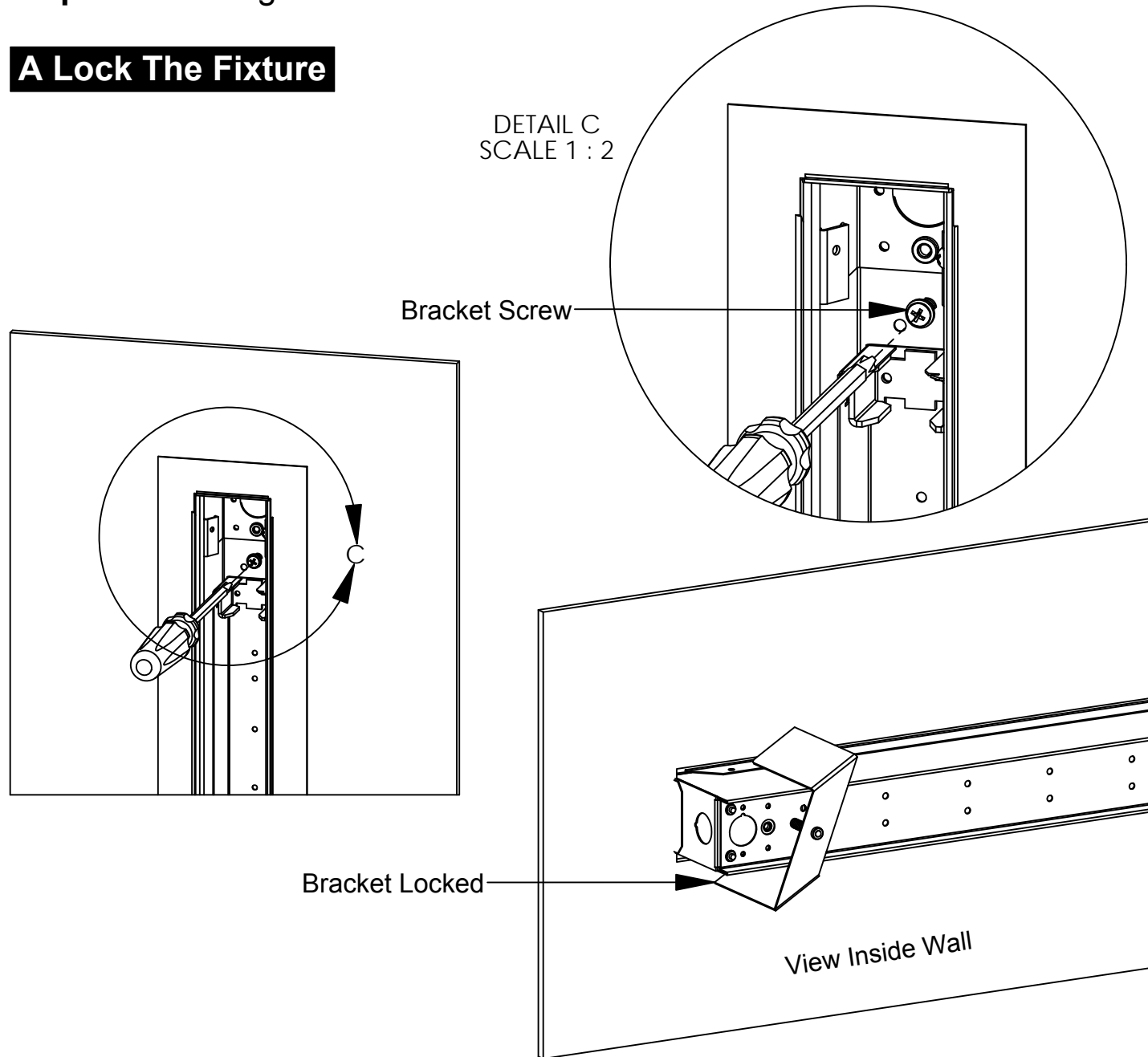
- **Note:** Make sure the install brackets are turned against the fixture before installing.
- Position one end of the fixture in to the opening as shown above.
- Gently lay the fixture in to the opening as shown, with the flange making full contact with the surface.

MOBERN
L I G H T I N G

L23-Recessed Flange Installation Instructions

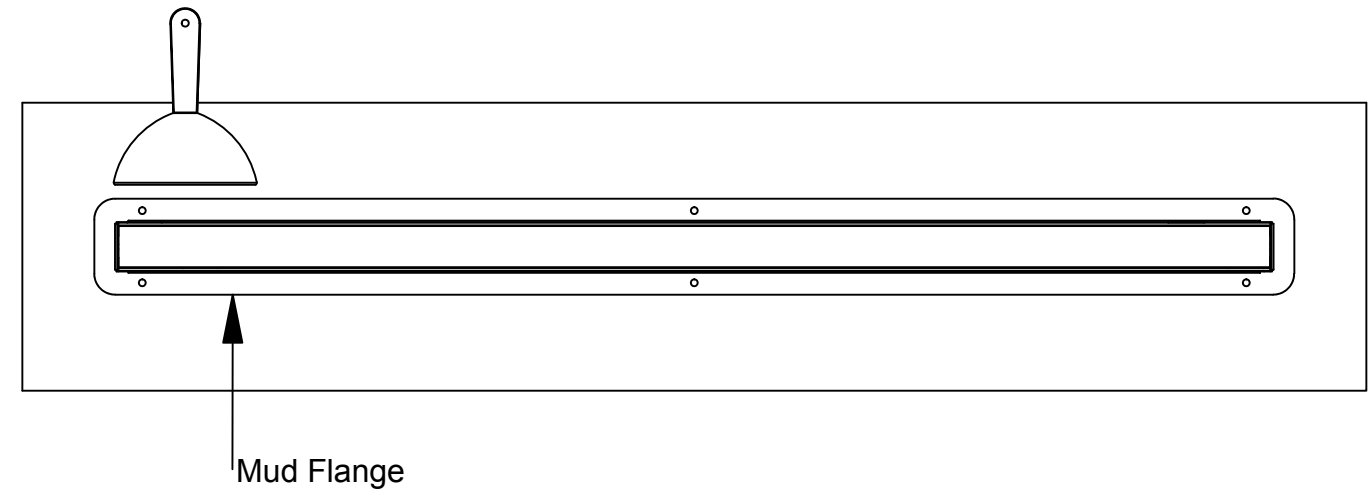
Step 4 - Finishing Touch

A Lock The Fixture



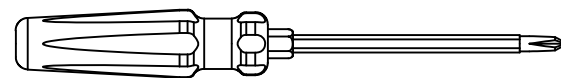
- Using a phillips screwdriver, turn each install bracket screw counter clockwise as far as possible.
- The brackets will rotate inside the wall, locking the fixture to the mounting surface.

B. Mud Over Flange (Optional)

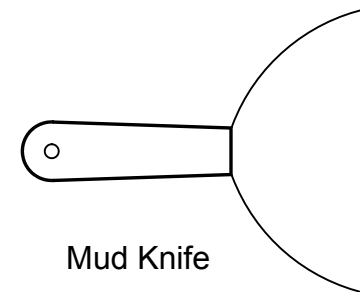


- **Note:** This is an optional finish. Check order and fixture details before proceeding.
- Following manufactures directions, float the mud flange to the install surface using dry-wall mud.
- Install is now complete.

Items Used In This Step



Phillips Screwdriver



Mud Knife

MOBERN
L I G H T I N G