

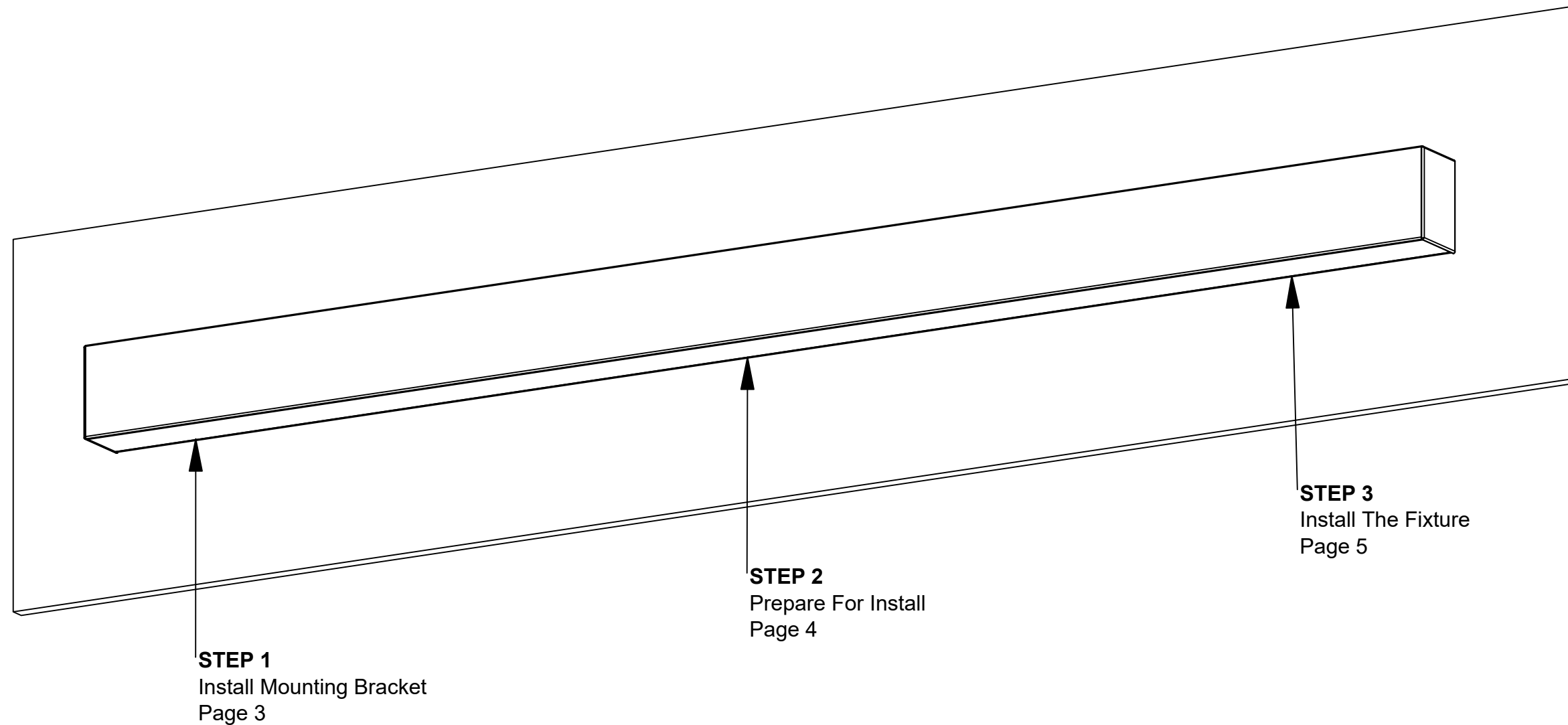
L23-Wall Installation Instructions

Overview

WARNINGS

- This product must be installed in accordance with all applicable codes by a person familiar with the product.
- Each fixture must be **properly supported** during install.
- **DO NOT** join fixtures on the floor prior to lifting, or damage will occur.
Before beginning installation, review our complete list of warnings by visiting
- www.mobern.com/instruction-sheets/Installation-Instructions-Warning.pdf

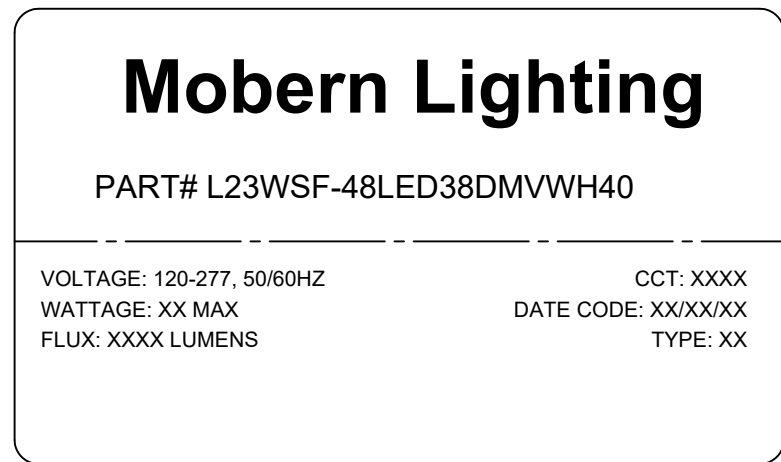
MOBERN
L I G H T I N G



L23-Wall Installation Instructions

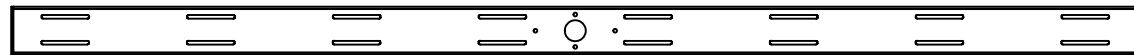
Preparation - Tools/Parts Identification

A. Identify Fixtures

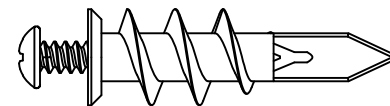


- Use labels found on the box and inside fixture bodies to identify bodies.
- **NOTE:** Locations of labels can vary.
- Remove all fixtures from their boxes.
- Organize fixtures based on their labels at the install location.

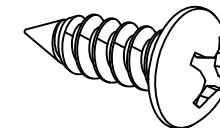
C. Identify Parts



Wall Mount Bracket
PN: L23_WM_BASE_XXIN
(Provided)



Mounting Screw W/ Anchor
(By Others)



#8-32 X 1/2" Machine Screw
(Provided)

- Read entire install instructions before beginning installation.
- Unpack all components and arrange in order of install steps.
- For help with installation, please contact us at www.mobern.com or call us at (800) 444-9288.

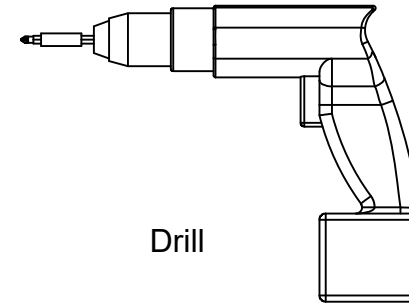
B. Tools Needed



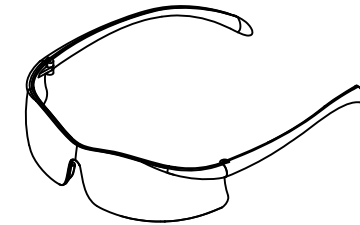
Screwdriver



3/4" Drill Bit



Drill



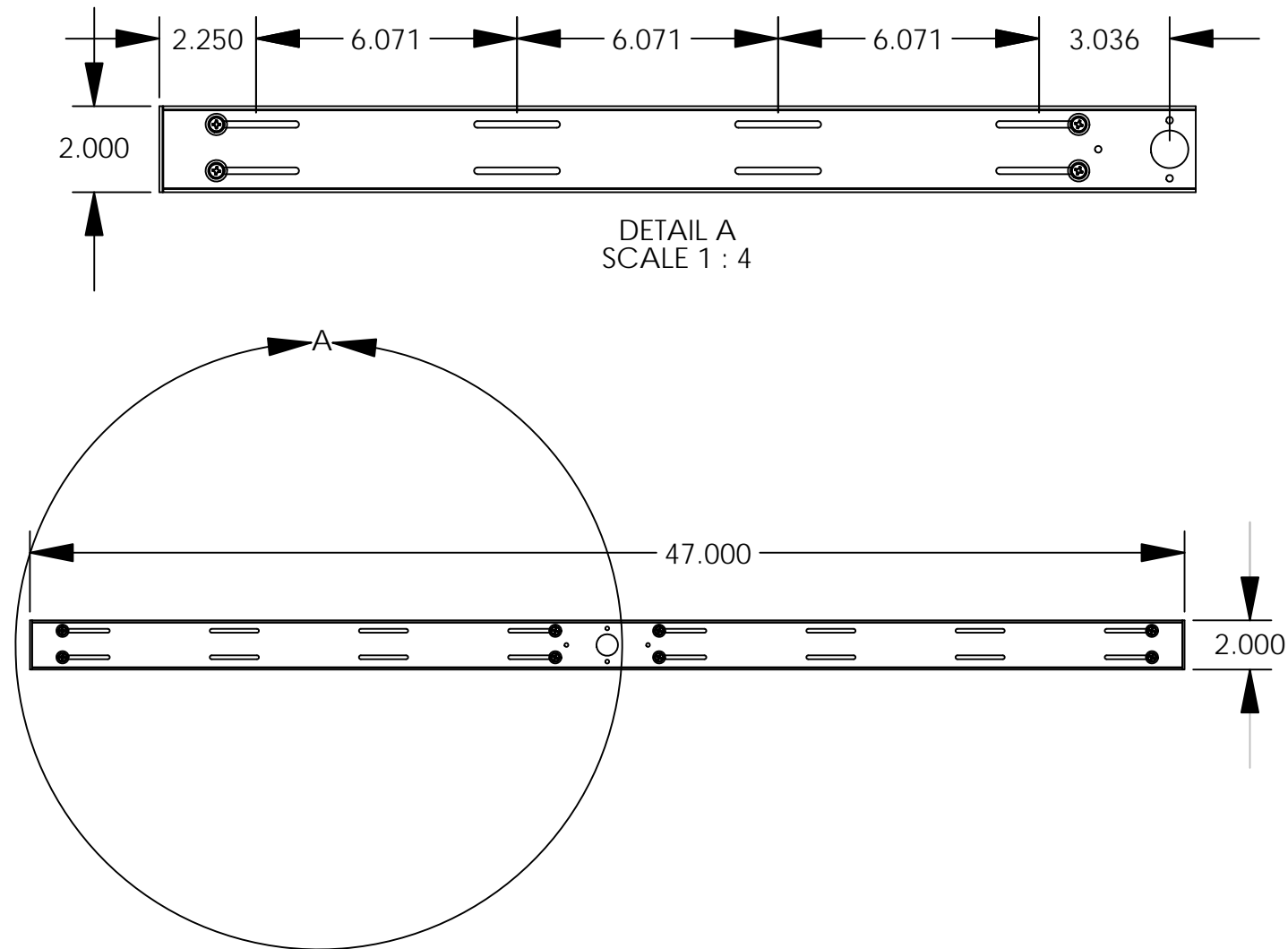
Safety Glasses

- Always use proper safety equipment when installing fixtures.
- Tools shown are recommended for standard install. Tools needed may vary based on actual install location conditions.

L23-Wall Installation Instructions

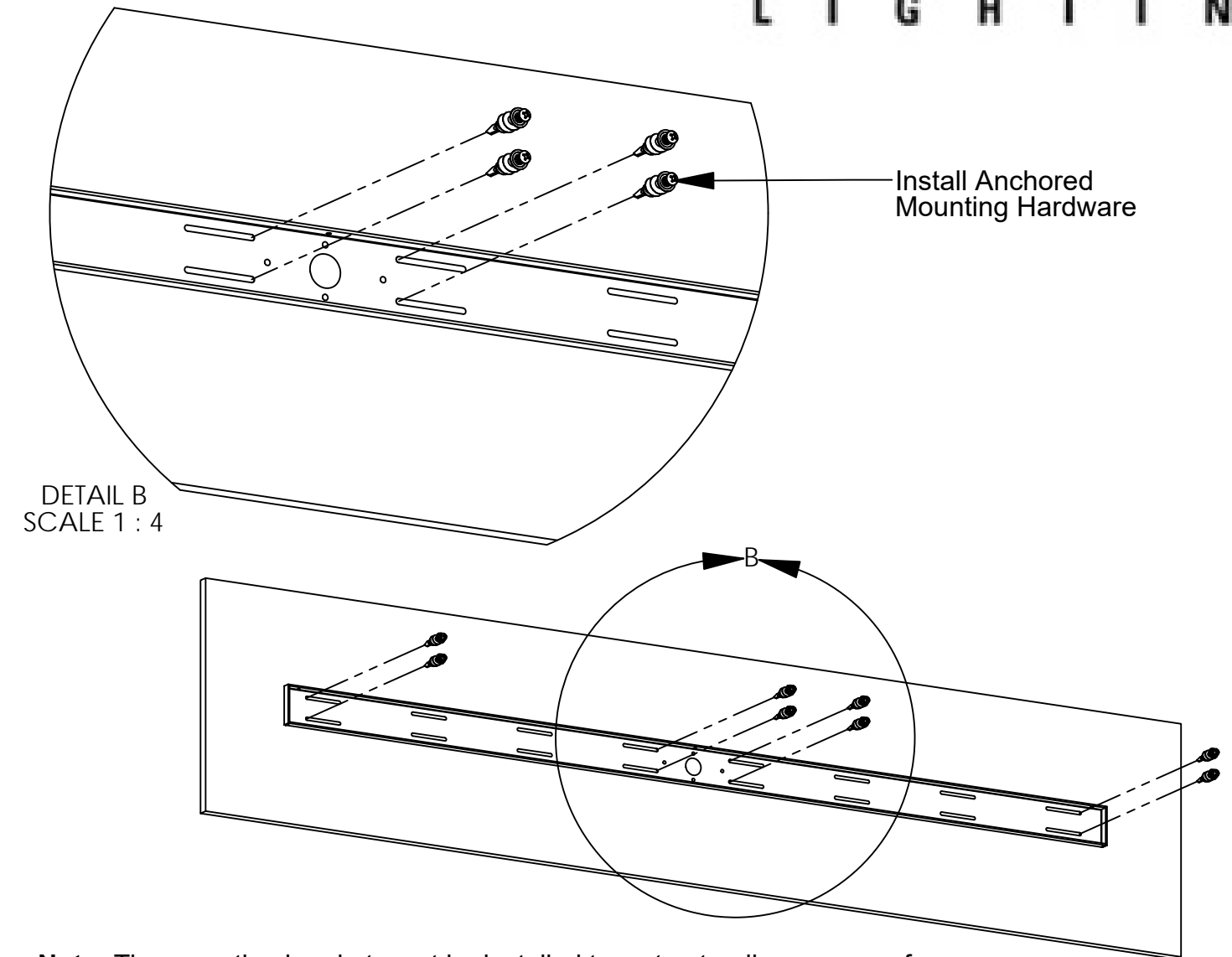
Step 1 - Install Mounting Bracket

A. Transfer Measurements



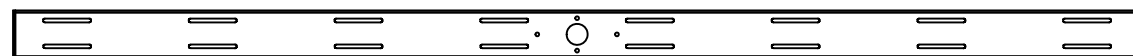
- Transfer the dimensions of the mounting keyways above to the mounting surface.
- **Note:** The dimensions are mirrored on both sides of the mounting bracket.

B. Install Mounting Bracket

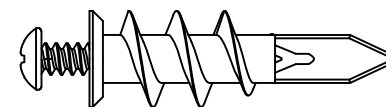


- **Note:** The mounting bracket must be installed to a structurally secure surface.
- **Note:** Additional bracing may be needed before mounting bracket.
- **Note:** Confirm no obstructions behind the wall before mounting.
- Secure the mounting bracket to the mounting surface as shown using anchored hardware.

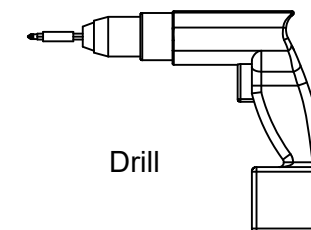
Items Used In This Step



Wall Mount Bracket
(Provided)



Mounting Screw W/ Anchor
(By Others)

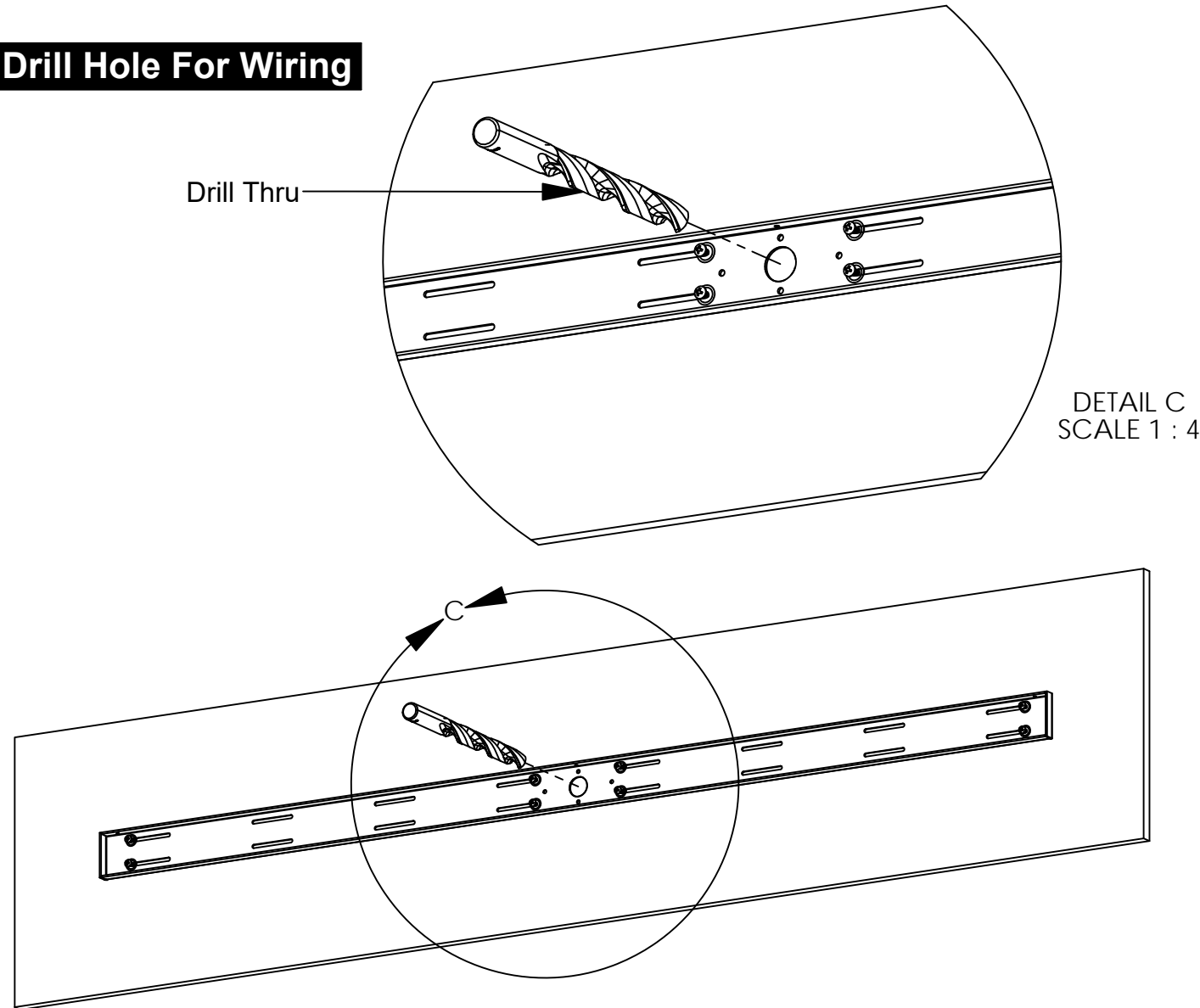


Drill

L23-Wall Installation Instructions

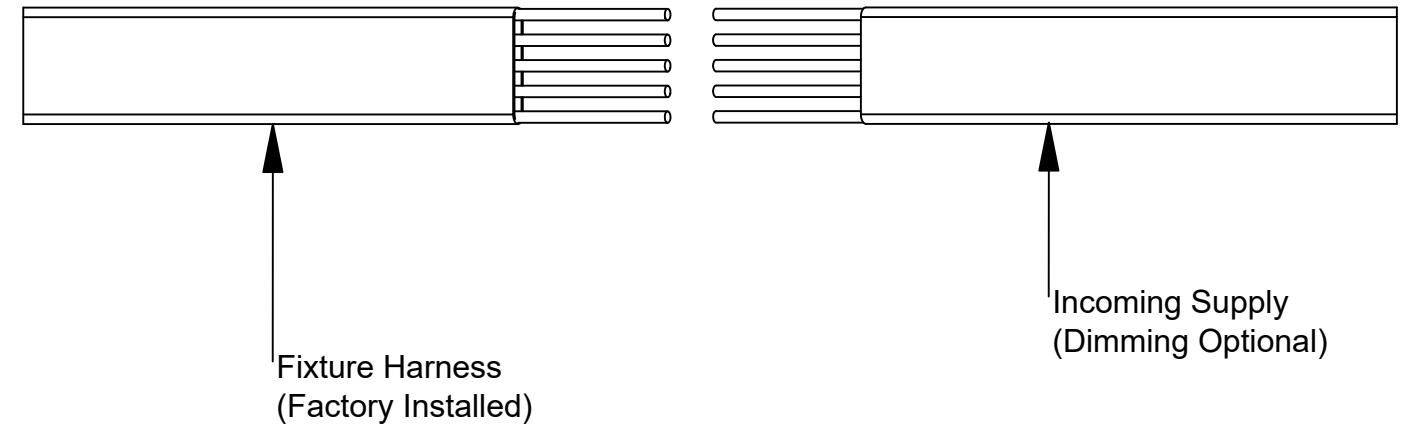
Step 2 - Prepare For Install

A. Drill Hole For Wiring



- Using a 3/4" bit, drill a hole to allow supply wiring to pass thru.
- **Note:** Use caution when drilling as to not damage components inside of wall.

B. Wire The Fixture



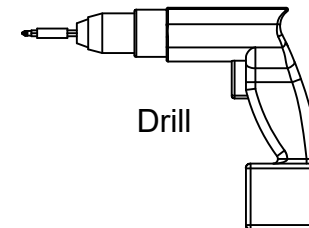
WIRING LEGEND		
Black	Hot	Line Voltage
White	Neutral	Line Voltage
Green	Ground	
Gray	Dimming	0-10V DC
Violet	Dimming	0-10V DC

- Wire the fixture to the incoming supply. Refer to the wiring legend above as needed.
- **Note:** Use UL approved connectors only. Follow all local, state and national codes

Items Used In This Step



3/4" Drill Bit

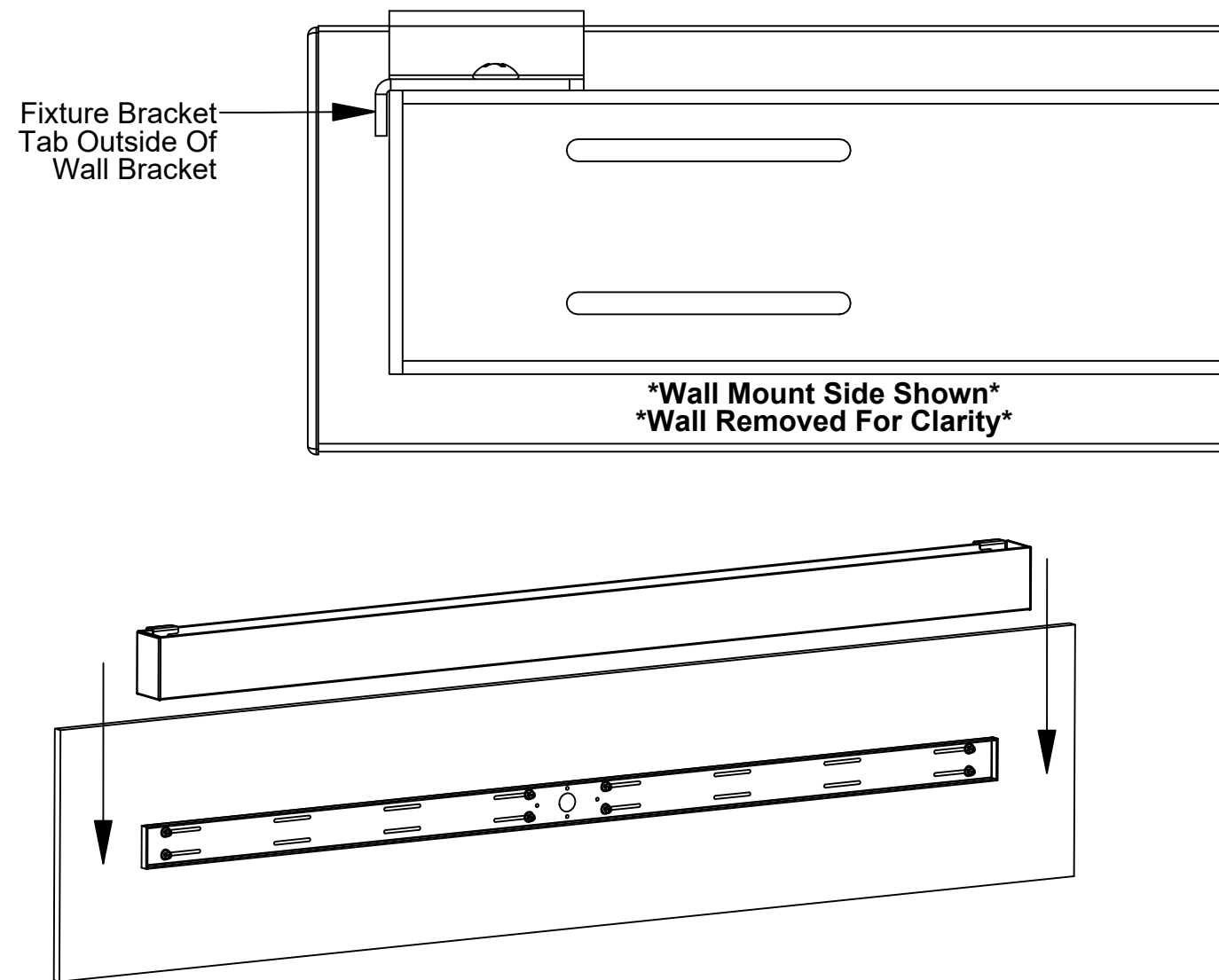


Drill

L23-Wall Installation Instructions

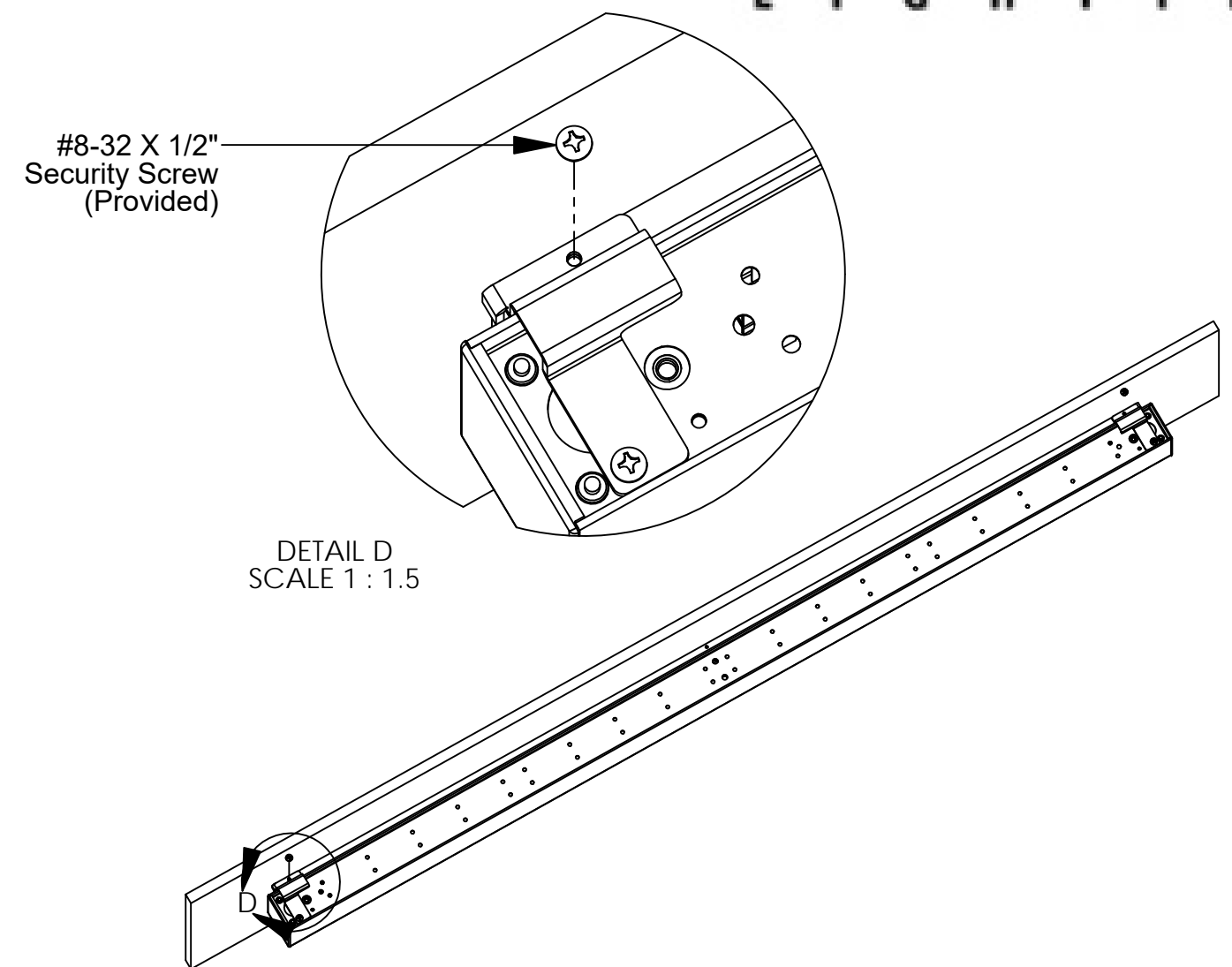
Step 3 - Install The Fixture

A. Mount The Fixture



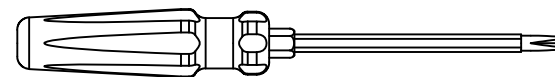
- Slide the fixture down over the installed wall bracket as shown.
- The tabs on the pre-installed fixture brackets fit outside of the wall bracket as noted.
- **Note:** Slight adjustment of the fixture bracket tabs may be needed to achieve proper fit.

B. Secure The Fixture

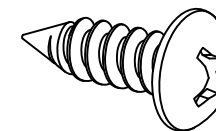


- Install the hanging bracket to the fixture as shown.
- Secure using the #8-32 x 1/2" screw provided.
- Install is now complete.

Items Used In This Step



Screwdriver



#8-32 X 1/2" Machine Screw
(Provided)