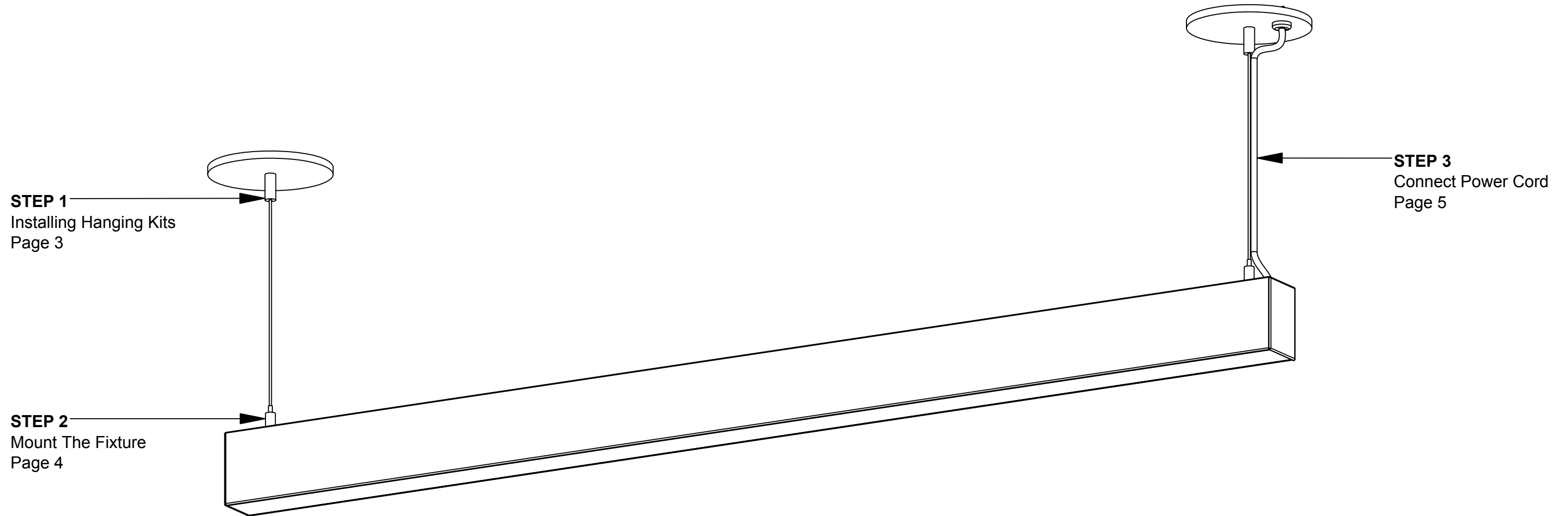


L23-Pendant Installation Instructions

Overview

WARNINGS

- This product must be installed in accordance with all applicable codes by a person familiar with the product.
- Each luminaire must be **properly supported** during install.
- **DO NOT** join fixtures on the floor prior to lifting, or damage will occur.
- **Before beginning installation**, review our complete list of warnings by visiting www.mobern.com/instruction-sheets/Installation-Instructions-Warning.pdf

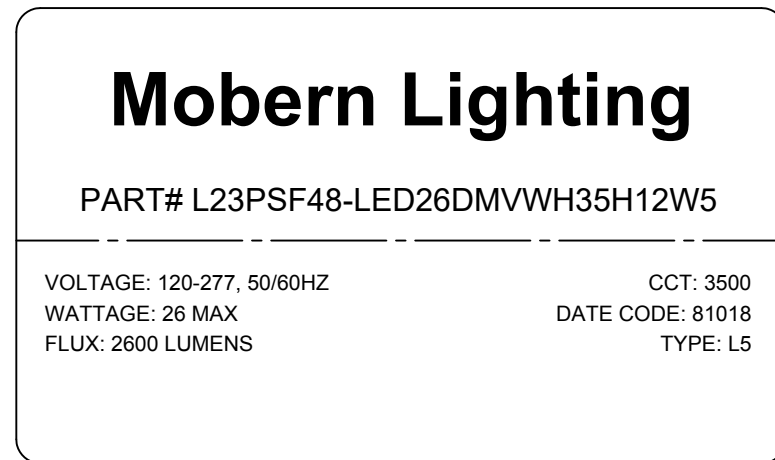


L23-Pendant Installation Instructions

Preparation - Tools/Parts Identification



A. Identify Fixtures

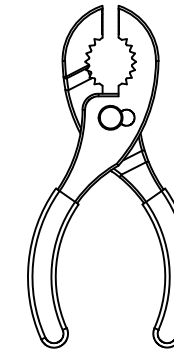


- Use labels found on the box and inside fixture bodies to identify bodies.
- **NOTE:** Locations of labels can vary.
- Remove all fixtures from their boxes.
- Organize fixtures based on their labels at the install location.

B. Tools Needed



Screwdriver



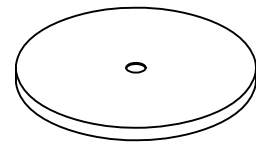
Pliers



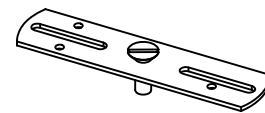
Safety Glasses

- Always use proper safety equipment when installing fixtures.
- Tools shown are recommended for standard install. Tools needed may vary based on actual install location conditions.

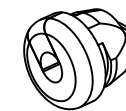
C. Identify Parts



5" White Canopy - Non Power
PN: CBGCAN51W



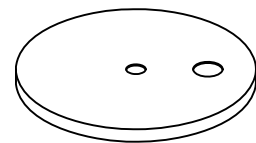
Mounting Bar
PN: HMCGEMBARS1/8GN



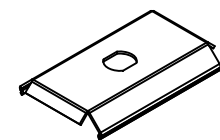
Wire Strain Relief
PN: HEYCO 1210



Pendant Cable Assembly
PN: PCKITLLL12FT



5" White Canopy - Power
PN: CBGCAN52W



Pendant Bracket
PN: PB-1X2



Pendant Nut
PN: PNUT375



Pendant Power Cord
PN: PPCLLL12FT

- Read entire install instructions before beginning installation.
- Unpack all components and arrange in order of install steps.
- For help with installation, please contact us at www.mobern.com or call us at (800) 444-9288.

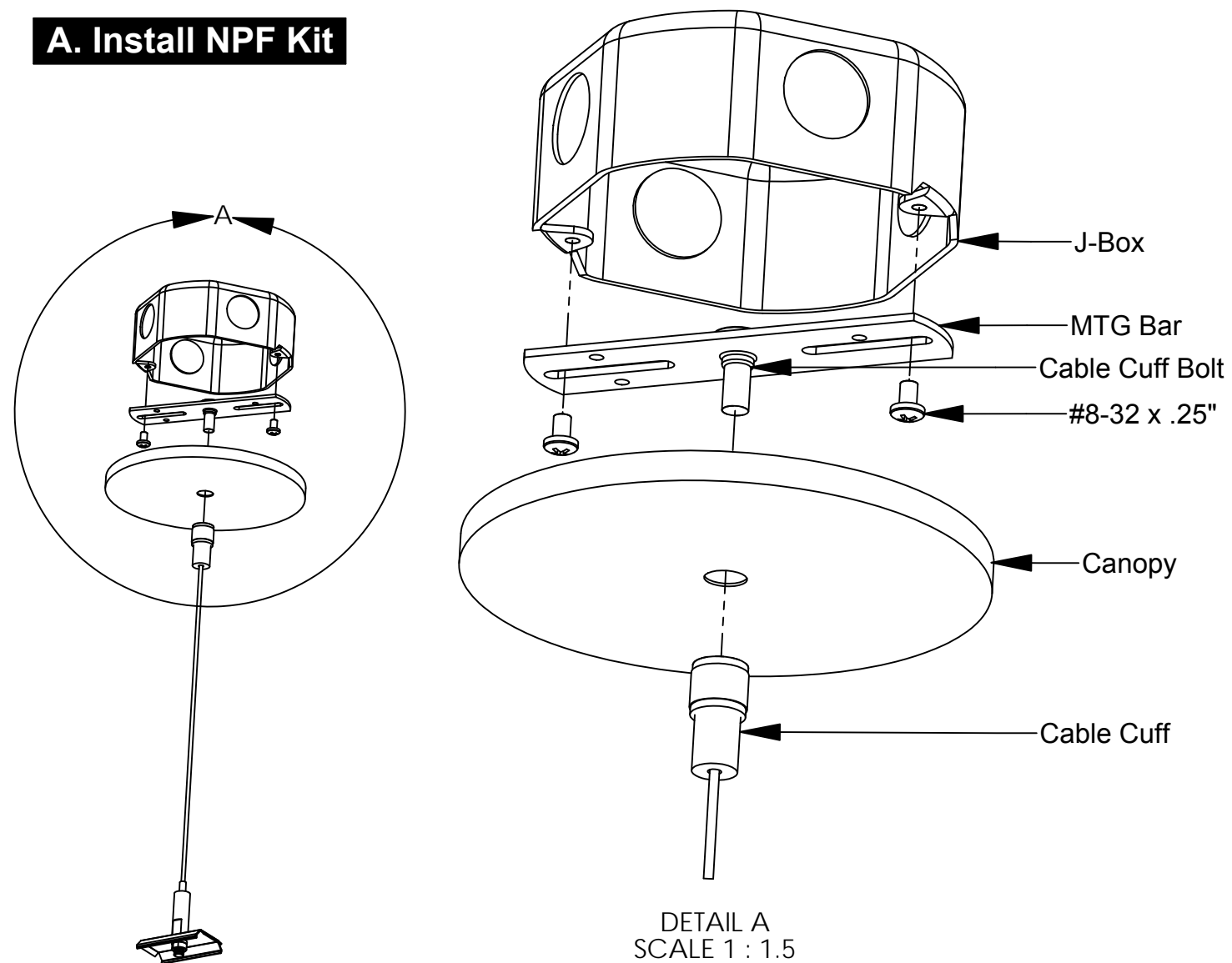


Pendant Cable Clip
PN: PCC375

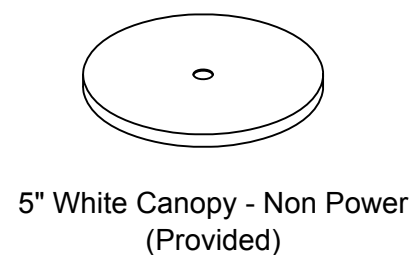
L23-Pendant Installation Instructions

Step 1 - Installing Hanging Kits

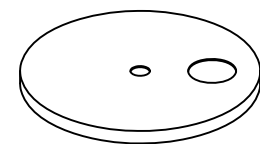
A. Install NPF Kit



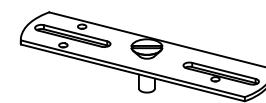
- Secure the mounting bar to the existing J-Box using the (2) #8-32 x .25" machine screws provided.
- Install the canopy over the cable cuff bolt with the outside edge facing upwards.
- Secure the cable cuff to the bolt, and tighten 1/4 turn with pliers.



5" White Canopy - Non Power
(Provided)



5" White Canopy - Power
(Provided)

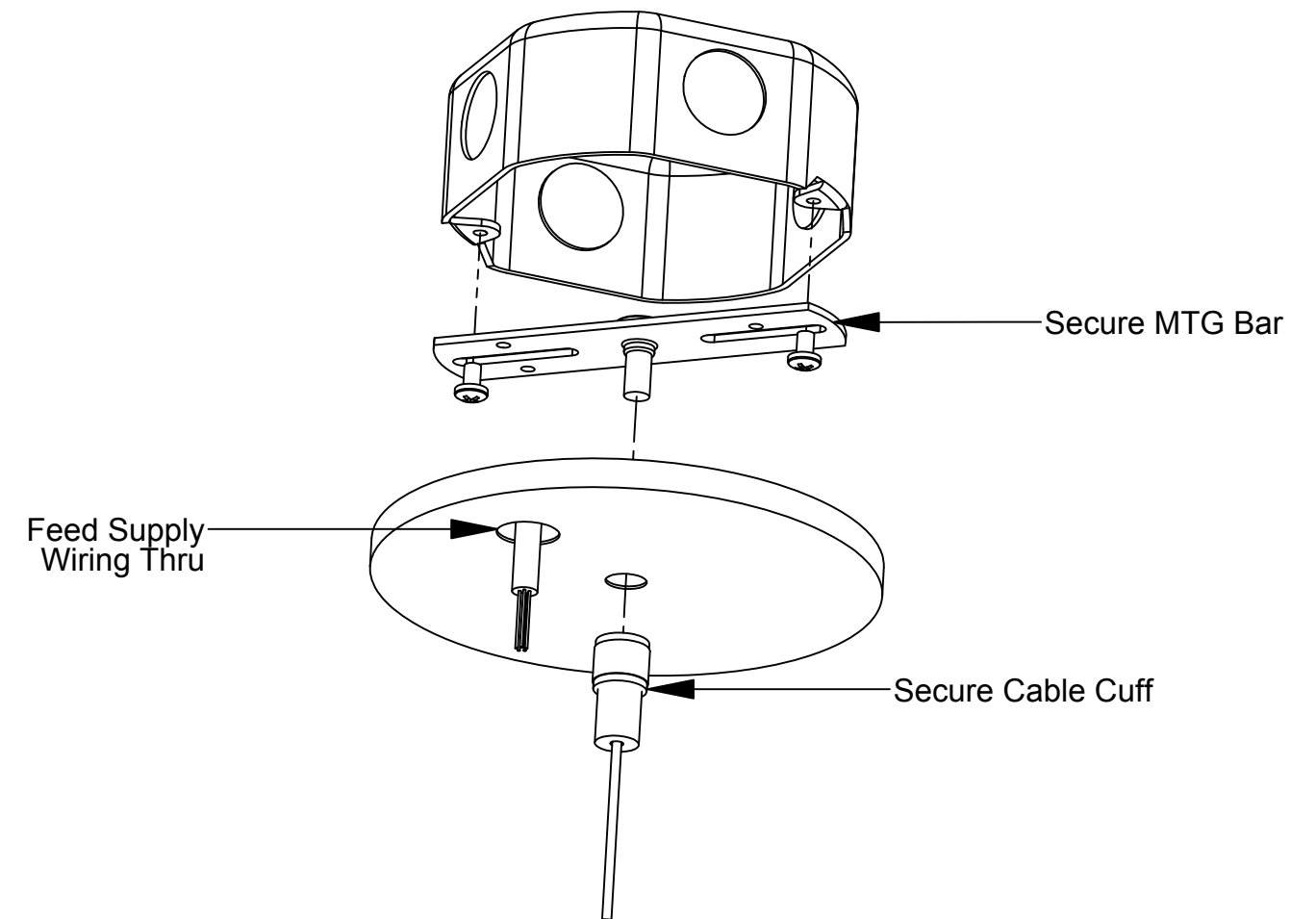


Mounting Bar
(Provided)



Pendant Cable Assembly
(Provided)

B. Install PF Kit

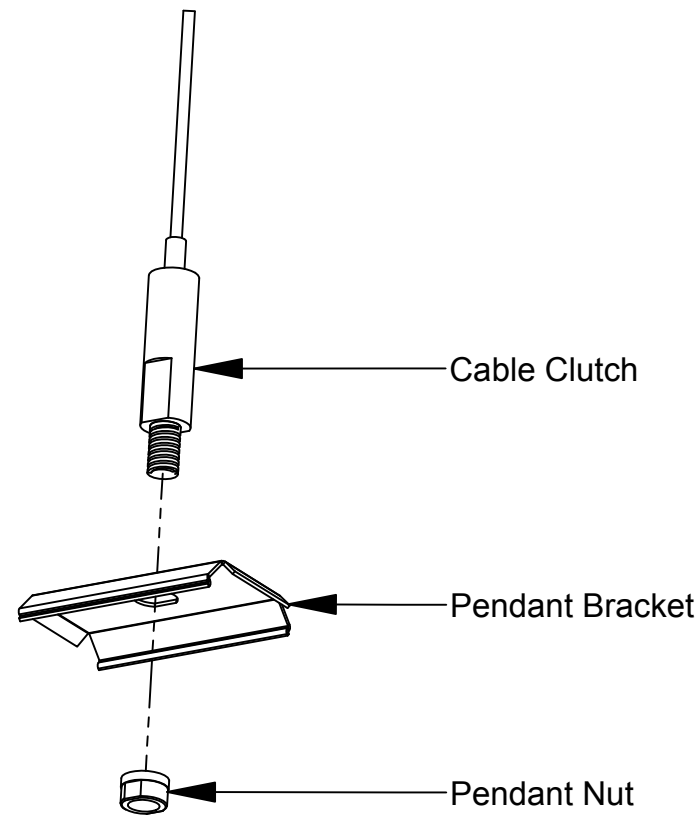


- Repeat the previous steps to install the mounting bar to the J-Box.
- Feed the supply wiring thru the canopy prior to install.
- Repeat the previous steps to install the cable cuff to the bolt.

L23-Pendant Installation Instructions

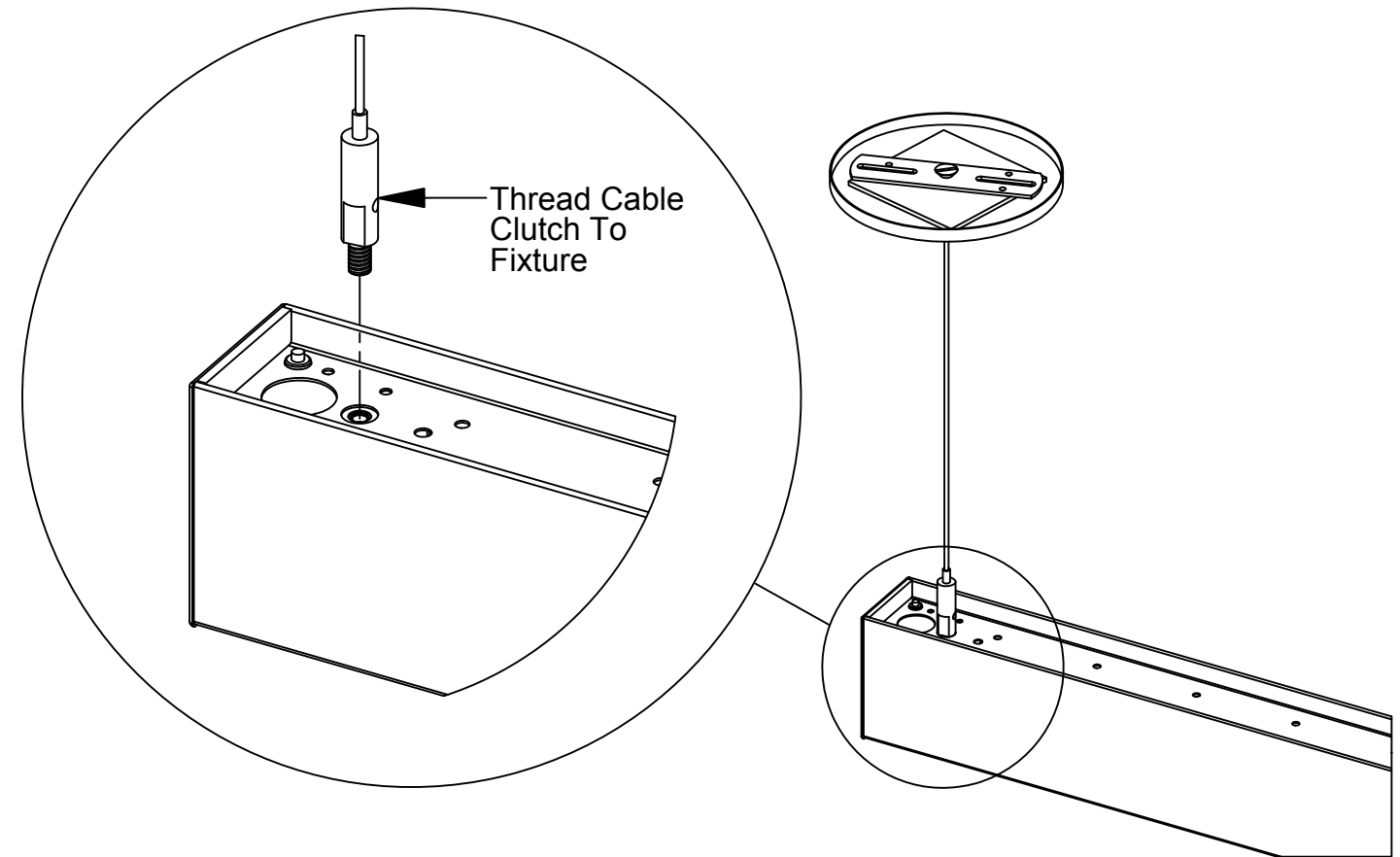
Step 2 - Mount The Fixture

A. Remove Unused Hardware



- Remove the Pendant Nut from the end of the cable assembly. Pliers may be needed.
- Remove the Pendant Bracket from the cable assembly.
- The cable assembly is now ready to receive the fixture.

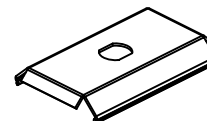
B. Secure The Fixture



- Lift the fixture to the pendant cable.
- Thread the pendant cable in to the fixture in the location shown. Tighten with pliers.
- Repeat steps to secure the power end of the fixture to the other preinstalled hanging kit.



Pendant Nut
(Provided)



Pendant Bracket
(Provided)

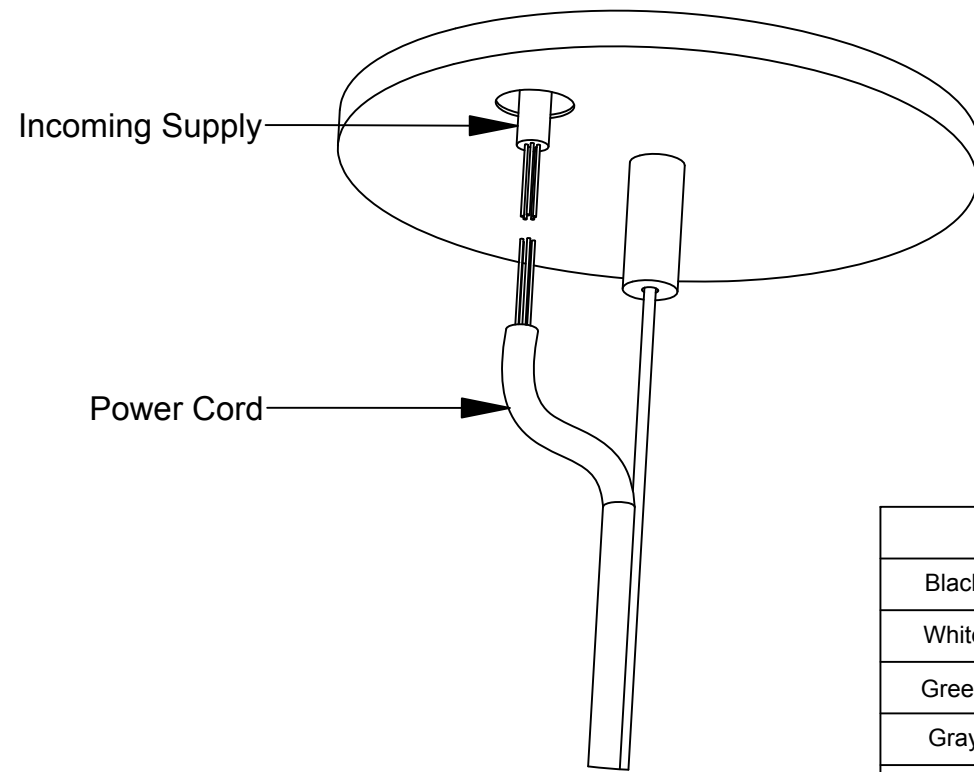


Pendant Power Cord
(Provided)

L23-Pendant Installation Instructions

Step 3 - Connect Power Cord

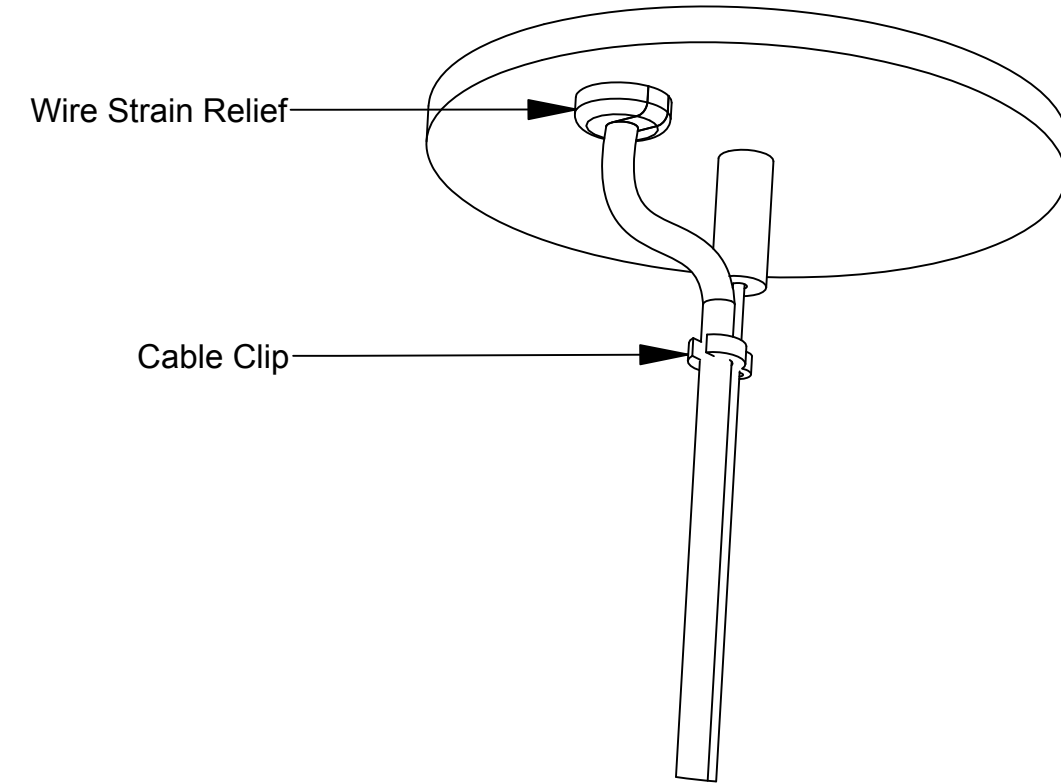
A. Connect The Wires



WIRING LEGEND		
Black	Hot	Line Voltage
White	Neutral	Line Voltage
Green	Ground	
Gray	Dimming	0-10V DC
Violet	Dimming	0-10V DC

- Connect the incoming supply to the power cord by following all local, state and national codes.
- Match wire colors together. Refer to the chart above as needed.

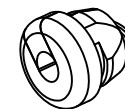
B. Install Grommet / Cable Clip



- After connecting the wires, feed the connections back in to the J-Box.
- Install the wire strain relief, and press in to the opening until it clicks in to place.
- Install the cable clip as shown above. Install is now complete.



Pendant Cable Clip
(Provided)



Wire Strain Relief
(Provided)