

### APPLICATIONS

The WSRR-LED and the WSRS-LED Reveal Cutoff Architectural Wall Sconces provide controlled down lighting with a uniform distribution designed to replace HID lighting systems up to 70W MH or HPS. Typical wall mounted lighting applications include retail centers, industrial parks, schools and universities, public transit and airports, office buildings, and medical facilities. Mounting heights of 8 to 16 feet can be used based on light level and uniformity requirements.

### FEATURES & BENEFITS

- ◆ Min CRI 80
- ◆  $L_{70} > 187000$  hrs. at 25°C
- ◆ Mount over a 4" recessed outlet box
- ◆ THD < 20%, PF > 0.90
- ◆ Standard 2 kV surge protection
- ◆ Clear inner lens to seal LED array
- ◆ Textured architectural bronze or black powdercoat finish over a chromate conversion coating
- ◆ IP66 sealed LED compartment
- ◆  $c_{CSA_{US}}$  listed for wet locations
- ◆ 5 year warranty for -40°C to +40°C



### ORDERING DATA

EXAMPLE: WSRR-LED20DMVBK50

WSR	LED	20	DMV	Finish <sup>2</sup>	Color Temp	Options
<b>Series</b> WSR Reveal Round & Square Wall Sconces	<b>Gear</b> LED	<b>Wattage/Lumens<sup>1</sup></b> 20 20.2 Watts <small><sup>1</sup>See Lumen chart below</small>	<b>Driver</b> DMV 120-277VAC 0-10V Dimmable to 10%	<b>BK</b> Black <b>BZ</b> Bronze <small><sup>2</sup>Consult for other finish options</small>	<b>40</b> 4000K <b>50</b> 5000K	<b>SF</b> Single Fuse <b>DF</b> Double Fuse <b>SP</b> Surge Protection <b>EM</b> Emergency Battery Backup <b>PC120</b> Photocell 120V <b>PC277</b> Photocell 277V
<b>Type</b> R Round S Square						

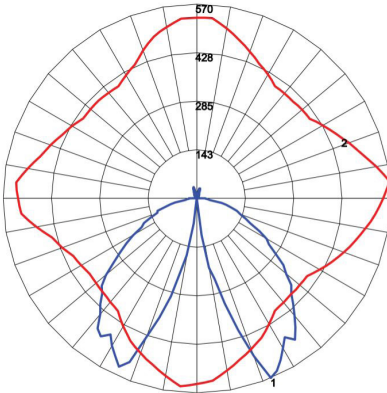
Lumen Chart								
	4000K	B	U	G	5000K	B	U	G
WSRR w/ Clear Array Lens	1,603 Lumens	1	2	1	1,539 Lumens	1	2	1
WSRS w/ Clear Array Lens	1,678 Lumens	1	2	1	1,611 Lumens	1	2	1

Dimensions and specifications subject to change without notice.



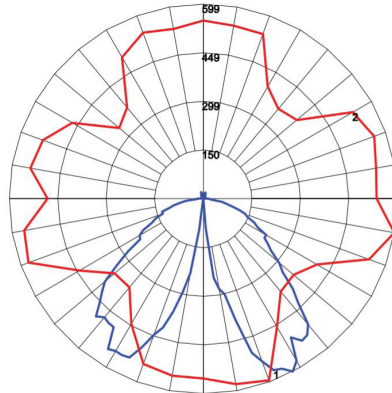
CAT#	
JOB NAME	
TYPE	

**PHOTOMETRIC DATA**



Maximum Candela = 570,207 Located At Horizontal Angle = 5, Vertical Angle = 22.5  
# 1 - Vertical Plane Through Horizontal Angles (95 - 165) (Through Max. Cd.)  
# 2 - Horizontal Cone Through Vertical Angle (22.5) (Through Max. Cd.)

**WSRR**

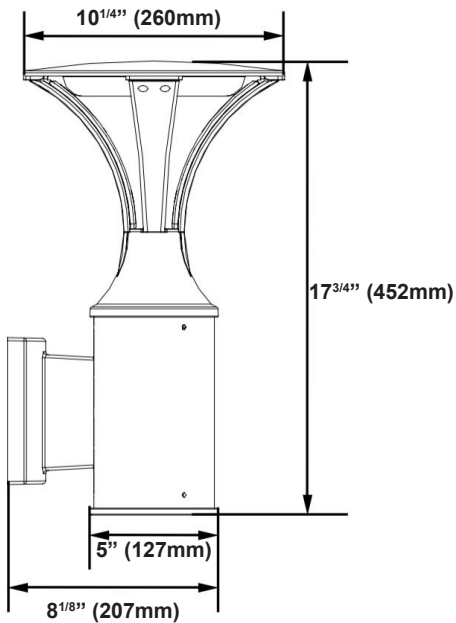


Maximum Candela = 598,595 Located At Horizontal Angle = 350, Vertical Angle = 27.5  
# 1 - Vertical Plane Through Horizontal Angles (350 - 170) (Through Max. Cd.)  
# 2 - Horizontal Cone Through Vertical Angle (27.5) (Through Max. Cd.)

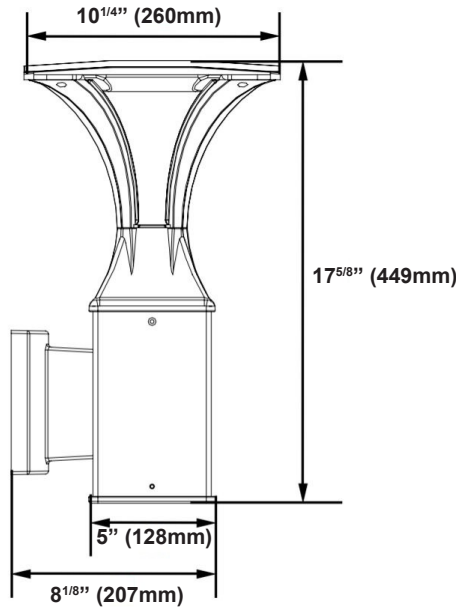
**WSRS**

**DIMENSIONS**

**WSRR**



**WSRS**



Dimensions and specifications subject to change without notice.

