

APPLICATIONS

Introducing the Mobern VWN-LED Premium grade enclosed and gasketed vaportight fixture. This Energy-Saving High Performance LED Vaportight is ideal for both indoor and outdoor applications where dust and water resistance is required. Ideal for parking garages, cold storage, marinas, barns, canopies, car washes, poultry farms, agricultural applications and other areas susceptible to corrosive and wet conditions.

FEATURES & BENEFITS

- ◆ Designed for easy assembly
- ◆ Ease of Installation and Maintenance
- ◆ Visually familiar light sourcing
- ◆ Poured in place gasket seals the enclosures from most hostile environments
- ◆ Economical Mounting System can provide dramatic savings on installation labor, thus reducing costs
- ◆ Very tough diffusers resist breakage and reduce replacement and maintenance costs
- ◆ Available in 4' length only
- ◆ Frosted lens for reducing direct glare and image of the LED
- ◆ Optional durable stainless steel mounting hardware
- ◆ No need to drill through the housing for installation
- ◆ Optional stainless steel bail for chain/cable hung installations
- ◆ Consult for other options



SPECIFICATIONS

High quality enclosed fiberglass fixture features a unique continuous poured gasket which completely fills channel for maximum seal integrity. Diffuser is held in place with POM retaining latches. Stainless steel latches are recommended for the following applications: agriculture, car washes, food processing and swimming pools. Hole is 7/8" diameter and is provided with a plastic plug on one end for conduit attachment. Offset mounting pads which keeps luminaire level and slightly off of mounting surface are formed within the housing. Standard diffuser is high impact acrylic with textured pattern designed for high efficiency while providing reduced glare.

ORDERING DATA

EXAMPLE: VWN4LED24DMVSC40

VWN		LED										
Series	Size	Gear	Wattage/Lumens		Driver		Lens		Color Temp	Options		
VWN LED Vaportight	4 4 ft	LED	24	24W 2800 Lumens	DMV	120-277V Multivolt 0-10V Dimmable	RC	Ribbed, clear	30	3000K	CS	Cord 18/3 6"
			35	35W 4100 Lumens			RF	Ribbed, frosted	35	3500K	OS	Occupancy Sensor
			42	42W 4700 Lumens	SDMV	Step dimming Multivolt	SC	Smooth, clear	40	4000K	OSW	Occupancy Sensor - Wet Location
			48	48W 5600 Lumens			SF	Smooth, frosted	50	5000K	OSC	Occupancy Sensor Cold Temperature
			55	55W 6400 Lumens	DHV	347-480VAC 0-10V Dimming					OSD	Occupancy Sensor - 0-10V Dimmable
			*Consult for other wattages		D347V	347VAC 0-10V Dimming					SS	Occupancy Sensor - Internal Microwave
					TDMV	Triac Dimming 120-277VAC					PC120	Photocell 120V
					D120	Triac Dimming 120VAC					PC277	Photocell 277V
					D277	Triac Dimming 277VAC					SL	Stainless Steel Latches

Lumens are subject to a tolerance ±10%
Wattage is approximate and subject to a tolerance of ±5%

**See chart below for whip & cord ordering options

**Cord & Whip Ordering Chart (Add to End of Fixture Part Number)

Part No.	# of Wires	Length	End Fitting	Finish	Voltage	Amps (TL Only)
WP - Whip CS - Cordset	(Blank) 3 Wire 4 - 4 Wire 5 - 5 Wire 6 - 6 Wire	(Blank) 6 feet 8 - 8 feet 10 - 10 feet 12 - 12 feet 15 - 15 feet	(Blank) No Plug P* - Standard Plug TL* - Twist Lock	BK - Black WH - White	(Blank) 120-277V 120 - 120V 277 - 277V 347 - 347V 480 - 480V	15 - 15 Amps 20 - 20 Amps

Dimensions and specifications subject to change without notice.

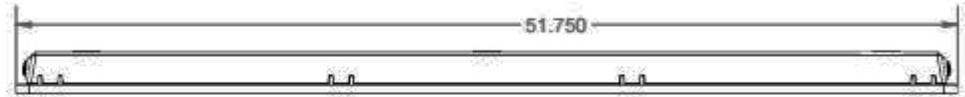
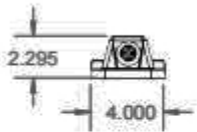


CAT#	
JOB NAME	
TYPE	

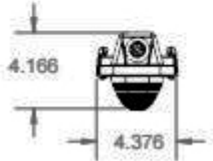
DIMENSIONS

Side View

Housing Only

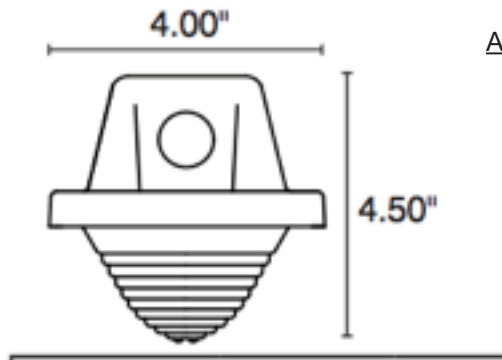


RC/RF Lens



End View

RC-Ribbon, Clear
RF-Ribbon, Frosted
SC-Smooth, Clear*
SF-Smooth, Frosted*
*Increase depth by 0.25"



Accessories

VW-MB1L
-Mounting basket (1)
2 required

Dimensions and specifications subject to change without notice.



US

