

APPLICATIONS

Premium grade enclosed and gasketed fluorescent fixture. For use in both indoor and outdoor applications where dust and water resistance is required. Ideal for marinas, parking garages, barns, canopies, car washes, poultry farms, agricultural applications and other areas susceptible to corrosive conditions.

FEATURES & BENEFITS

- ◆ Dust and moisture resistant
- ◆ Virtually unbreakable fiberglass housing provides superior corrosion resistance
- ◆ Optional stainless steel mounting bracket with bail
- ◆ Optional tamperproof/vandal proof
- ◆ Optional silver MIRO4 reflector provides 94% reflectivity
- ◆ Available in lengths from 24 to 96 inches - (2', 4', 8' lengths)
- ◆ White molded end plugs snap and lock to maintain tight seal of unused end holes
- ◆ 100% high impact resistant acrylic diffuser held with positive cam latches
- ◆ Continuous poured in place gasket
- ◆ No joints to open
- ◆ Two reflector designs: basic and wide distribution
- ◆ Both with enhanced specular finish - minimum 92% reflectivity
- ◆ Available in T5 and T8 for long term energy savings
- ◆ Comes with gear tray to ease installation in the field
- ◆ **UL** listed for wet location



SPECIFICATIONS

High quality enclosed fiberglass fixture features a unique continuous poured gasket which completely fills channel for maximum seal integrity. Diffuser is held in place with polycarbonate retaining latches. Stainless steel latches are recommended for the following applications: agriculture, car washes, food processing and swimming pools. Hole is 7/8" diameter and is provided with a plastic plug on one end for conduit attachment. Offset mounting pads which keeps luminaire level and slightly off of mounting surface are formed within the housing. Highly reflective coated interior surface improves efficiency. Standard diffuser is high impact acrylic with textured pattern designed for high efficiency while providing reduced glare. Listed by and bears **UL** label.

ORDERING DATA

EXAMPLE: VWCL 2 32 MV B1

VWCL									
Series	# of Lamps	Lamp Size			Ballast Type		Options**		
VWCL	1	1 Lamp	17	T8	24"	MV	Multivolt	B1	T8/T5 1L 500 Lumens Battery Backup (B11)
	2	2 Lamp	24	T5HO	22"	120	120 Volt	B2	T8/T5 1L/2L 700 Lumens Battery Backup (B48)
	*3	3 Lamp	32	T8	48"	277	277 Volt	B3	T8/T5 1L/2L 1400 Lumens Battery Backup (B223)
			32TAN	T8	2-48" tandem	R120	Residential 120V	B51	T5HO 1L 500 Lumen Battery Backup (B625)
			48	T8HO	48"	PMV	Program Multivolt	B52	T5HO 1L 800 Lumens Battery Backup (B585)
			54	T5HO	46"			B53	T5HO 1L 1300 Lumens Battery Backup (B626)
			54TAN	T8	2-46" tandem			OS	Occupancy Sensor
		96	T8 SL/T8HO	96"			11	Dual Ballasts 1 Lamp + 1 Lamp	
							21	Dual Ballasts 2 Lamp + 1 Lamp	
							22	Dual Ballasts 2 Lamp + 2 Lamp	
							31	Dual Ballasts 3 Lamp + 1 Lamp	
							RIF	Radio Interference Filter	
							SL	Stainless Steel Latches	
							WP	Whip 6 FT 3 Wire	
							WP4	Whip 6 FT 4 Wire	
							XS	Silver MIRO4 Reflector	
							XW	Wide Distribution Reflector	

**Call for additional options

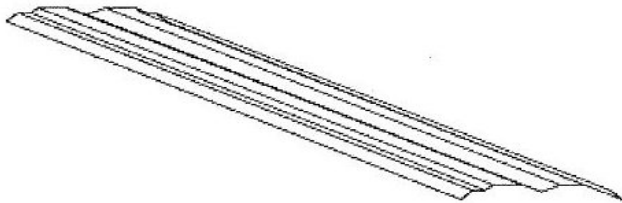
Dimensions and specifications subject to change without notice.



CAT#	
JOB NAME	
TYPE	

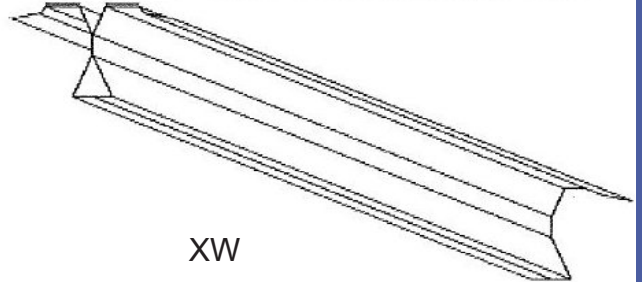
DIMENSIONS

Basic Reflector:



XS

Wide Distribution Reflector:



XW



LIRA Optically Clear Lens with Basic Reflector



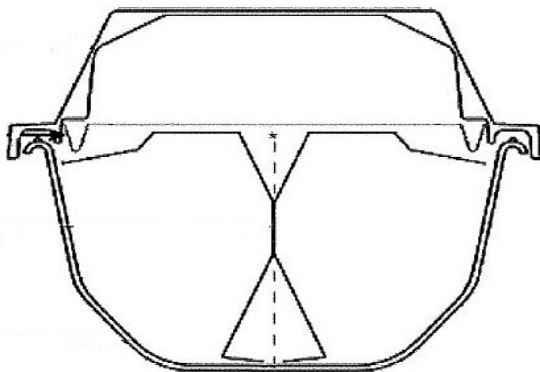
LIRA Optically Clear Lens with Wide Distribution Reflector

ACCESSORIES

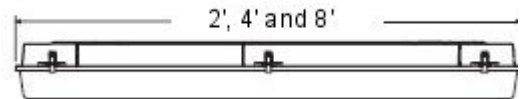


Stainless steel mounting bracket w/bail
VW-MB2L-B-2PK
(recommended for cable hanging)

END VIEW



SIDE VIEW



Dimensions and specifications subject to change without notice.

