

### APPLICATIONS

One of the fastest growing retrofit segments is changing linear fluorescent lamps to LED T8 tubes. The Mobern TLEDB will operate on many standard fluorescent instant-start ballasts and provide significant energy savings, excellent life, low maintenance and a more focused controlled light source. TLEDB tubes are mercury-free which minimizes their environmental impact. In many cases the Color Rendering is improved to create a more visually appealing environment.

### FEATURES & BENEFITS

- ◆ 4' LED T8 lamp or T12 replacement (T12 requires a ballast replacement)
- ◆ Environmentally friendly-energy saving and mercury-free
- ◆ Frosted lens
- ◆ High lumen efficiency and high CRI
- ◆ Directly compatible with 95% of T8 Instant Start Ballasts
- ◆ Power Factor >0.95
- ◆ 5 year limited warranty
- ◆ UL Listed
- ◆ DLC Listed in 12W, 14W, 16W only

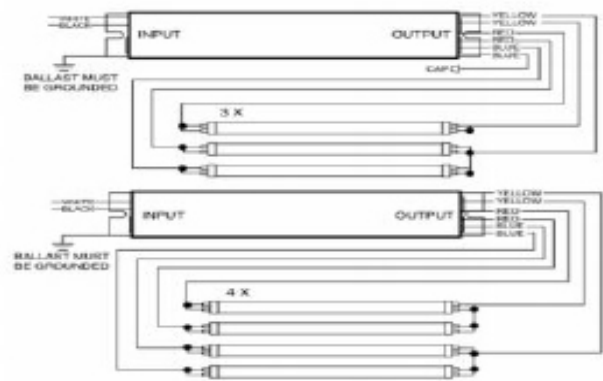
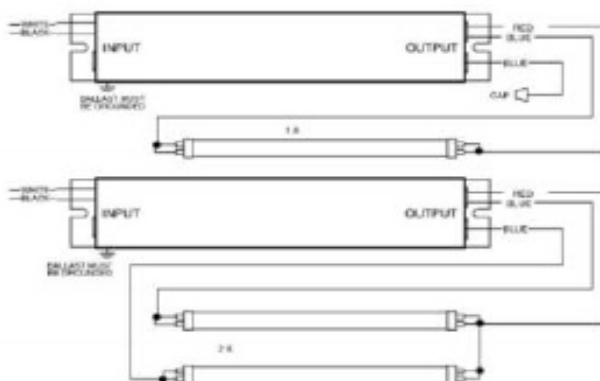


### ORDERING DATA

EXAMPLE: TLEDB-48T814Wxxx

TLEDB		T8		Wattage/~ Lumens @5000K		Color Temperature	
Series	Length	Replaces Tube Type					
<b>TLEDB</b>	<b>24</b> 24 inches	<b>T8</b>					<b>830</b> 3000K
	<b>48</b> 48 inches						<b>835</b> 3500K
							<b>840</b> 4000K
							<b>850</b> 5000K
							Replace 'xxx' in P/N with color temp
			<b>12W</b>	14 Watts / 1560 Lumens			
			<b>12W</b>	14 Watts / 1850 Lumens			
			<b>14W</b>	16 Watts / 2100 Lumens			
			<b>16W</b>	17 Watts / 2250 Lumens			
			<b>22W</b>	22 Watts / 2300 Lumens			

- Consult ballast compatibility chart prior to use
- Due to varying condition of ballasts, compatibility cannot be guaranteed
- Confirm compatibility via test install prior to large scale implementation



Dimensions and specifications subject to change without notice.

