

APPLICATIONS

Specification grade, recessed perimeter elliptical wall wash to highlight wall and shelf mounted goods in commercial and retail environments. Provides uniform VERTICAL surface lighting.

FEATURES & BENEFITS

- ◆ 1 or 2 lamp positions
- ◆ Recessed inverted T-Bar ceilings
- ◆ Grid mount
- ◆ Perimeter highlight for wall and shelf mounted goods
- ◆ "Silver" full bright reflectors maximize efficiency, light output and control wall wash distribution
- ◆ Access plate to simplify installation
- ◆ Every fixture is individually tested



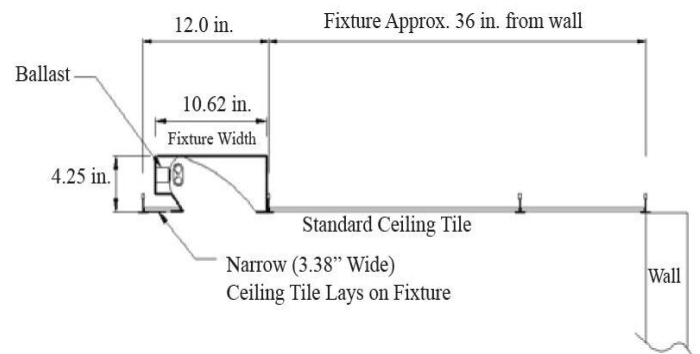
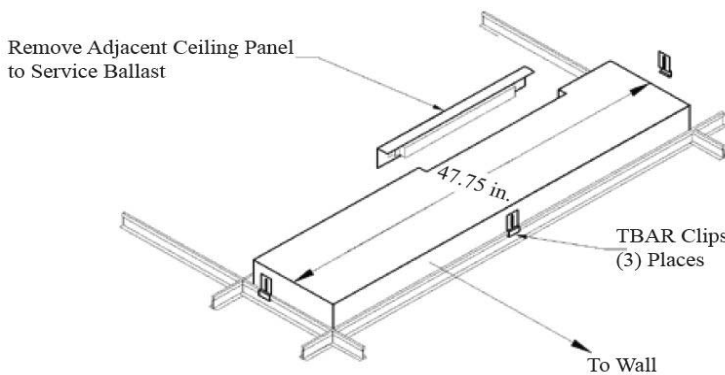
SPECIFICATIONS

Housing is die-formed and embossed code 22 guage steel. Finish is high reflectance baked white enamel. Access plate with wiring knockouts are provided on one side of housing. Ballast is accessed from side, through adjacent ceiling tile. Premium, full specular reflectors at sides and ends create a professional finish and control the wall wash lighting distribution. Listed by and bears **UL** label.

ORDERING DATA

EXAMPLE: RWW240BXM20MV

RWW					
Series	Lamp Position	Lamp Type [1]	Reflector	Ballast & Voltage	Options
RWW Wall washer Grid Mount	1 1 Lamp 2 2 Lamp Lamps Not Included	40BX Biax TT5 2G11 4 Pin 40W	M20 Mirrored reflector	E120 Electronic, 120V E277 Electronic, 277V MV Electronic, Multivolt (120-277)	WP 6 ft. 3 wire 18 gauge whip WP10 6 ft. 4 wire 18 gauge whip EM65 Emergency ballast 650 Lumens



Dimensions and specifications subject to change without notice.