


APPLICATIONS

Premium recessed deep cell parabolic T-bar troffer designed for maximum efficiency and visual comfort. Ideal for commercial and industrial buildings requiring general illumination with recessed configurations and low glare.

FEATURES & BENEFITS

- ◆  Technology - Post Powder Paint
- ◆ >90% reflectivity
- ◆ IC Rated
- ◆ Corrosion and scratch resistant
- ◆ Smooth edges for easy handling
- ◆ Louver manufactured from low iridescnet semi-specular anodized aluminum
- ◆ Protective plastic dust cover keeps louver clean during shipping and installation
- ◆ Black reveal provides gap free floating louver appearance
- ◆ Hinges from either side
- ◆ Die-formed steel T-hinges
- ◆ Positive locking cam action latches
- ◆ Air functions - choice of static, air supply or heat removal
- ◆ Various cell configurations available
- ◆ Access plate for quick wiring
- ◆ Recessed inverted T-bar ceilings. Grid mount
- ◆ Equipped with Integral Earthquake Clips
- ◆ Every fixture is individually tested
- ◆ **ETL_{us}** listed for damp location



SPECIFICATIONS

Housing and ends are die-formed from code gauge cold rolled steel. Body and the black reveal are highly reflective P3-Post Powder Paint. Precision formed anodized semi-specular aluminum louver. Standard 3" deep cell louvers are manufactured using interlocked construction and mitred corners. Wiring access plate or knockouts are provided on back of housing for flexible conduit attachment. Driver cover snaps into place eliminating the need for tools when accessing the driver. Listed by and bears **ETL** label.

ORDERING DATA

EXAMPLE: RP2418-LED48DMV40

RP		LED								
Series	Size	Gear	Wattage/Lumens	Driver Type	Color Temp	Options*				
RP	14 1 x 4 22 2 x 2 24 2 x 4	LED	<u>2x2</u> 24 24W 2050 Lumens 30 30W 2470 Lumens 42 42W 3300 Lumens 54 54W 4430 Lumens	DMV 120-277V Multivolt 0-10V Dimmable SDMV Step dimming Multivolt DHV 347-480VAC 0-10V Dimming D347V 347VAC D120 0-10V Dimming Triac Dimming 120VAC D277 Triac Dimming 277VAC	30 3000K 35 3500K 40 4000K 50 5000K	WP 6' Whip 3 Wire EM Emergency battery pack 10W~1300 Lumens EM7 Emergency battery pack 7W~900 Lumens EM5 Emergency battery pack 5W~650 Lumens OL Frosted overlay behind louver				
Louvers			<u>1x4</u> 32 32W 2500 Lumens 48 48W 3750 Lumens							
8	8 cell (1x8 pattern) semi-specular, 3 in. nominal		<u>2x2</u> 48 48W 3750 Lumens							
9	9 cell (3x3 pattern) semi-specular, 3 in. nominal		<u>2x4</u> 48 48W 3650 Lumens							
12	12 cell (4x3 pattern) semi-specular, 3 in. nominal		60 60W 5420 Lumens							
16	16 cell (4x4 pattern) semi-specular, 3 in. nominal		85 85W 7350 Lumens							
12	12 cell (2x6 pattern) semi-specular, 3 in. nominal									
16	16 cell (2x8 pattern) semi-specular, 3 in. nominal									
18	18 cell (3x6 pattern) semi-specular, 3 in. nominal									
24	24 cell (4x6 pattern) semi-specular, 3 in. nominal									
32	32 cell (4x8 pattern) semi-specular, 3 in. nominal									

*Consult for other wattages

Consult factory for other options

Dimensions and specifications subject to change without notice.



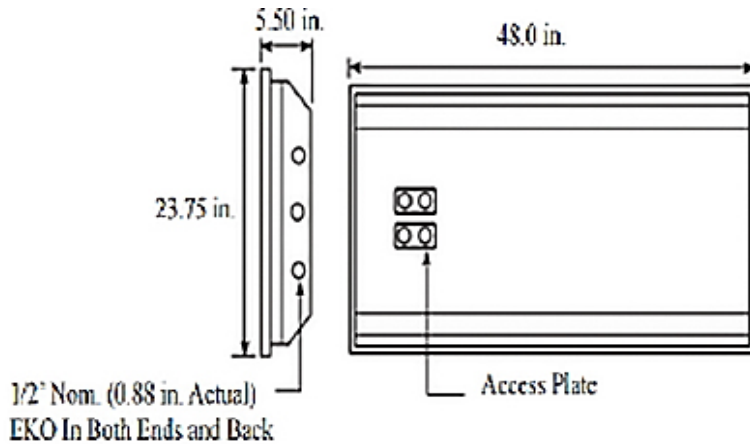
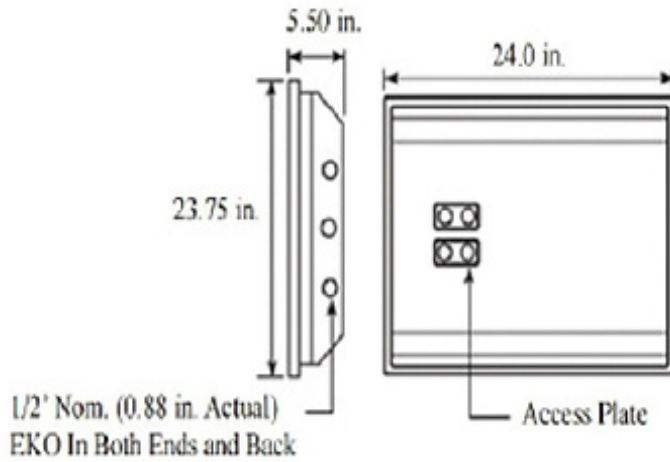
◆ 800-444-WATT ◆ www.mobern.com ◆

8200 Stayton Dr., Ste. 500, Jessup, MD 20794

CAT#	
JOB NAME	
TYPE	

DIMENSIONS

Model Configuration	A	B	C
1' x 4'	11 3/4"	47 3/4"	48"
2' x 2'	23 3/4"	23 3/4"	24"
2' x 4'	23 3/4"	47 3/4"	48"



Dimensions and specifications subject to change without notice.



◆ 800-444-WATT ◆ www.mobern.com ◆

8200 Stayton Dr., Ste. 500, Jessup, MD 20794

CAT#

JOB NAME

TYPE