

FEATURES & BENEFITS

ILLUMINATION

- ◆ Two fully adjustable ultra bright, round, 12W, MR-16 halogen lamp heads standard
- ◆ Optional 3.3W white LED lamp heads

ELECTRICAL

- ◆ Offers 26W of remote capacity (6V/12V DC output) when using standard 12W halogen lamps and 43W of remote capacity (6V/12V DC output) when using optional 3.3W LED lamps
- ◆ Dual 120/277 voltage
- ◆ Charge rate/power "On" LED indicator light and push-to-test switch for mandated code compliance testing
- ◆ LVD (low voltage disconnect) prevents battery from deep discharge
- ◆ 6V maintenance-free, rechargeable sealed lead acid battery
- ◆ Internal solid-state transfer switch automatically connects the internal battery to lamp heads for minimum 90-minute emergency illumination
- ◆ Fully automatic solid-state, two rate charger recharges a discharged battery in 24 hours

MOUNTING

- ◆ Surface mount via easy connect back plate, which fits most standard junction boxes and snaps into place making internal electrical connections
- ◆ Conduit mount knockout on top of housing and blackplate
- ◆ Suitable for wall mount



HOUSING

- ◆ Injection-molded, engineering grade, 5VA flame retardant, high-impact resistant, thermoplastic in white or black finish

WARRANTY / LISTING

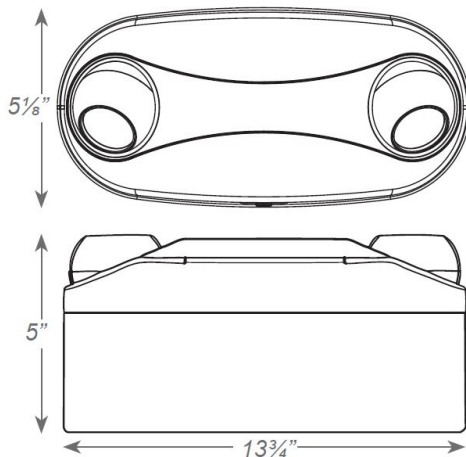
- ◆ Five year warranty on all electronics and housing. Battery pro rated for two years
- ◆ Meets UL924, NFPA 101 Life Safety Code, NEC, OSHA, Local and State Codes
- ◆ UL Listed for damp locations (20° - 40°C)

ORDERING DATA

EXAMPLE: RMR-16-65W

Series		Housing Color		Options	
RMR-16-65	6V DC Output	W	White	LED	3.3W High Lumen White LED Lamp
RMR-16-125	12V DC Output	B	Black		

DIMENSIONS



Dimensions and specifications subject to change without notice.



CAT#	
JOB NAME	TYPE