

APPLICATIONS

The RKSR (Strip Reflector) and RKSC (Strip Ballast Cover) Universal Retrofit Kits are designed for 4' or 8' fluorescent industrial and strip fixtures and install with simple hand tools. The universal socket bracket is designed for simple fit to most standard fluorescent channels from 4" to 5 1/4" in width. The Reflector/Ballast Cover mount to final wired socket brackets with 2 quarter-turn fasteners for easy maintenance after retrofit is complete. Components are shipped separately in unit packages.

FEATURES & BENEFITS

- ◆ Lamps are secured with rotary locking lamp sockets
- ◆ Lamp socket accepts No. 18 gauge wire, either solid, solder dipped or twisted-tinned or fuse wire.
- ◆ Reflectors are precision formed and high performance
- ◆ Premium aluminum mirrored specular reflector or enhanced white reflector
- ◆ Ballast cover kit - white only, 4 1/4" standard
- ◆ Suitable for damp locations
- ◆ Ballast and lamps can be ordered with these kits



RKSC



RKSR

SPECIFICATIONS

The RKSR and RKSC universal strip retrofit kits mount easily, requiring only simple hand tools. The process includes removal of the existing ballast cover(s) and removal of the existing socket brackets and ballast. The new reflector/ballast cover is then attached to the existing strip channel with a universal socket bracket and self-tapping screws. The universal socket bracket can fit channels from 4" to 5 1/4" in width. The kit reflector or ballast cover serves as the new ballast cover. Mount and connect new ballast to sockets. Close the reflector or cover using captive quarter turns and install lamps.

ORDERING DATA

EXAMPLE: RKSR-232TANMI

| RKS | | Lamp Type | | Socket Type | | Ballast Factor ³ | | Configuration | | |
|----------------------|---|--|--|---|--|---|--|---|---|--|
| Series RKS | Type R Reflector C Ballast Cover | 14 T5 17 T8 24 T5HO 28 T5 32 T8 54 T5HO | I Instant Start (Shunted) P Program Start (Unshunted) | Blank Not Specified L Low (.77) N Normal (.88) H High (1.18) | Blank Bulk parts W Wired Ballast to sockets | # of Lamps 1 1 Lamp 2 2 Lamp 3 3 Lamp | Strip Type Blank 4' Strip TAN 8' Tandem Strip | Reflector/Ballast Cover W High Reflective White ¹ M High Reflective Silver ¹ B 4.25" Ballast Cover ² B5 5" Ballast Cover ² | Ballast Brand Blank Not Specified A Advance G GE L Lutron S Sylvania U Universal | Ballast Type MV Electronic 120V to 277V PMV Program Start Multivolt DMV Sylvania Multivolt Dimming SD Step Dim Multi Volt LED Wired 1 end hot for T8 or T5 LED tubes ⁴ LED-2E Wired 2 ends hot for T8 or T5 LED tubes ⁴ |

Notes:

¹Only with RKSR

²Only with RKSC

³Standard instant start is normal

⁴Assembled with no ballast UL listed when supplied with UL listed tubes installed

Dimensions and specifications subject to change without notice.

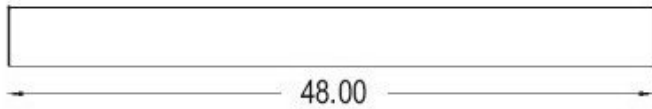


DIMENSIONS

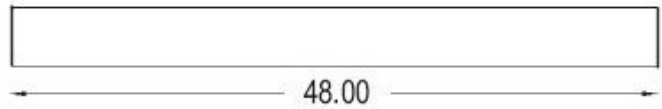
RKSC Dimensions

- 48.0"L x 5.2"W x 1.176"H
- 48.0"L x 4.3"W x 1.176"H
- 96.0"L x 5.2"W x 1.176"H
- 96.0"L x 4.3"W x 1.176"H

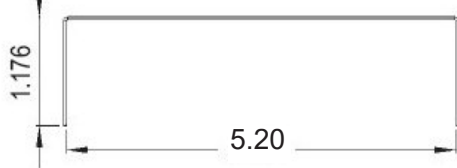
4.25" BALLAST COVER TOP VIEW



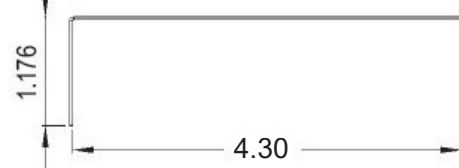
5" BALLAST COVER TOP VIEW



4.25" BALLAST COVER SIDE VIEW



5" BALLAST COVER SIDE VIEW



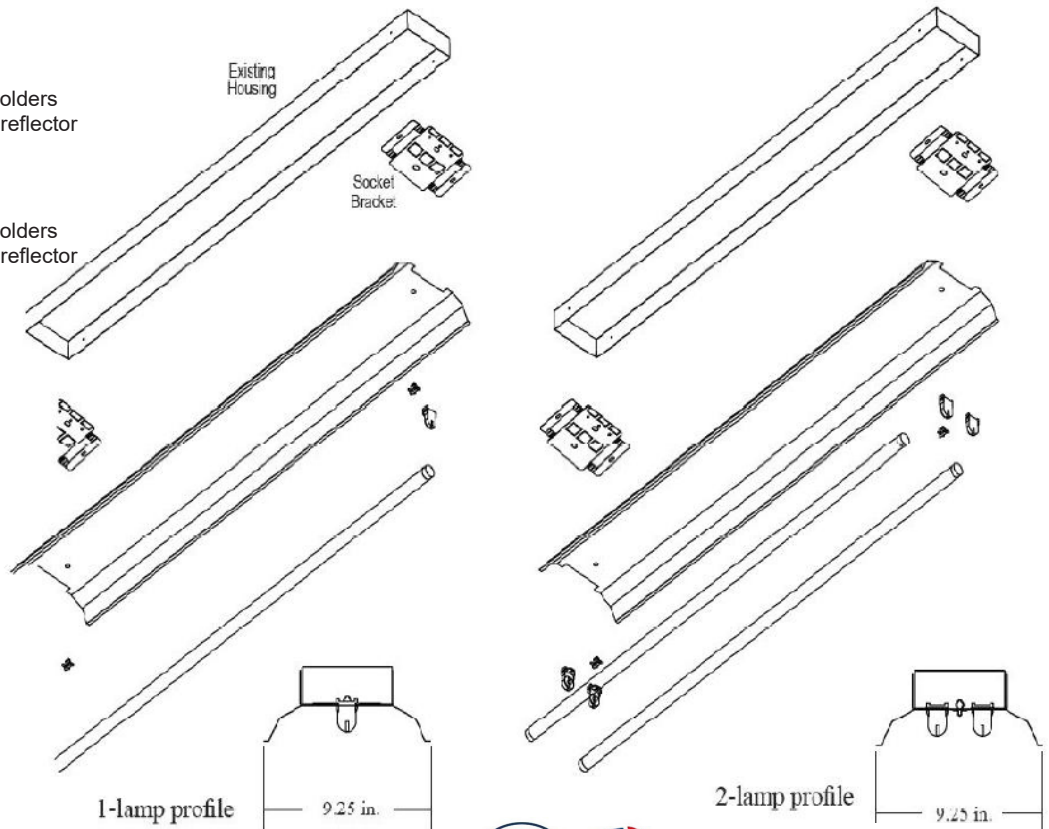
RKSR Dimensions

4' Series Kit includes:

- * (1) aluminum reflector
- * (2 or 4) specified UL approved lamp holders
- * (2) quarter turns when ordered with a reflector
- * (5) tek screws

8' Series Kit includes:

- * (2) aluminum reflector
- * (4 or 8) specified UL approved lamp holders
- * (4) quarter turns when ordered with a reflector
- * (10) tek screws



Dimensions and specifications subject to change without notice.

