

### APPLICATIONS

The RKDIZ is a specification grade retrofit kit for existing recessed luminaires which provides smooth and uniform ambient lighting for all commercial and industrial buildings with recessed configurations. Reflected light from matte surfaces provide a softened appearance to the modern office environment.

### FEATURES & BENEFITS

- ◆ Installation in less than 5 minutes
- ◆ One piece unit
- ◆ Constant current LED driver
- ◆ 0-10V dimming driver standard
- ◆ CRI 80+
- ◆ 5 year warranty



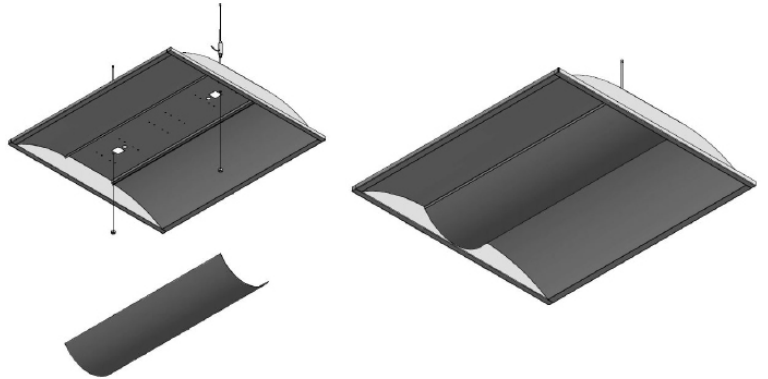
### SPECIFICATIONS

This kit offers a true center basket solution that not only provides more energy efficiency but also the comfortable performance of a center basket fixture. The diffuser and slanted troffer help reduce glare and create a pleasant, uniform throw of light. This unique kit has a highly efficient specially designed acrylic diffuser. With this kit, you will get the energy savings and performance of the latest technology without the fuss and mess of changing out complete fixtures.

### ORDERING DATA

EXAMPLE: RKDIZ24-LED30FRDMV40

Series	Size	Gear	Wattage / Lumens	Diffuser	Driver Type	Color Temp
RKDIZ	14 1X4 22 2x2 24 2x4	LED	<p><b>1x4 Standard</b></p> <p>17 17 Watts 2260 Lumens 24 24 Watts 3260 Lumens 30 30 Watts 4140 Lumens 35 35 Watts 4725 Lumens 40 40 Watts 5235 Lumens 45 45 Watts 5770 Lumens 50 50 Watts 6280 Lumens</p> <p><b>2x2 Standard</b></p> <p>17 17 Watts 2240 Lumens 24 24 Watts 3125 Lumens 30 30 Watts 3775 Lumens 35 35 Watts 4540 Lumens 40 40 Watts 5160 Lumens 45 45 Watts 5780 Lumens</p> <p><b>2x4 Standard</b></p> <p>15 15 Watts 2155 Lumens 21 21 Watts 3090 Lumens 28 28 Watts 4060 Lumens 30 30 Watts 4315 Lumens 35 35 Watts 5030 Lumens 40 40 Watts 5700 Lumens 48 48 Watts 6690 Lumens 57 57 Watts 7675 Lumens</p>	FR Frosted Lens	DMV 120-277VAC 0-10 Dimmable Field Installed Dimming Leads	30 3000K 35 3500K 40 4000K 50 5000K



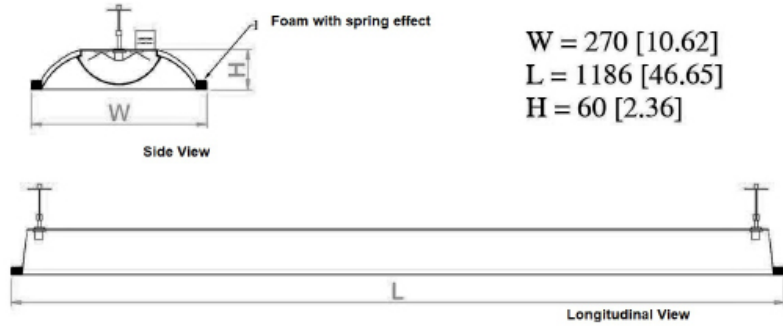
Lumens are subject to a tolerance of ±10%  
Wattage is approximate and subject to a tolerance of ±5%

Dimensions and specifications subject to change without notice.

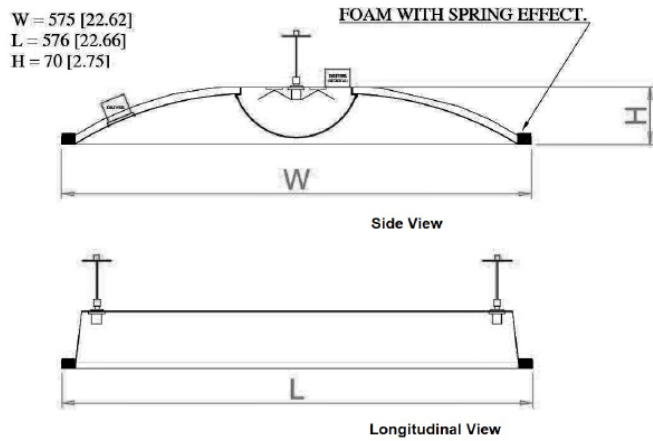


**Dimensions**

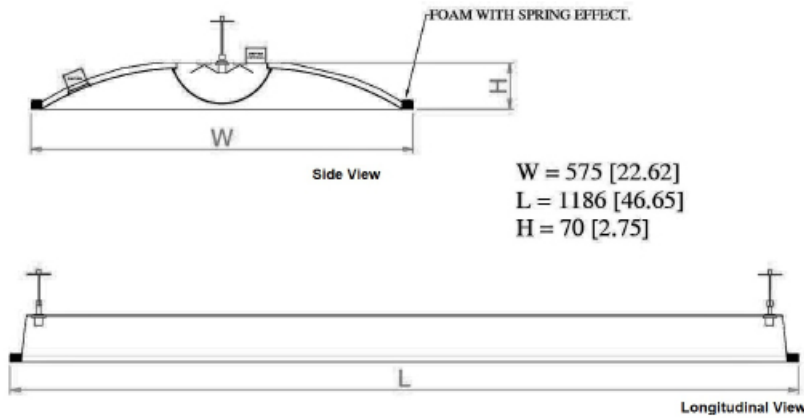
**1X4**



**2X2**



**2X4**



Dimensions and specifications subject to change without notice.



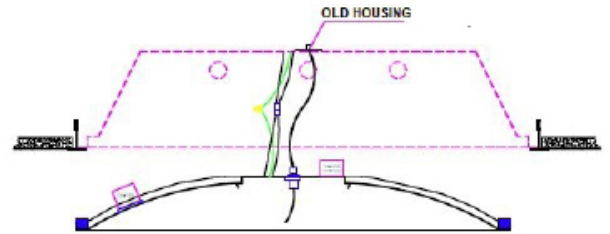
### Installation Instructions

01



Turn Off the power in the old troffer. Open the louver and take the parabolic louver or lens, lamps, ballast cover, ballast, sockets out. Only leave the power cable and ground wire in the old fixture.

04



Once it's hung, connect the wires and turn on the power.

02



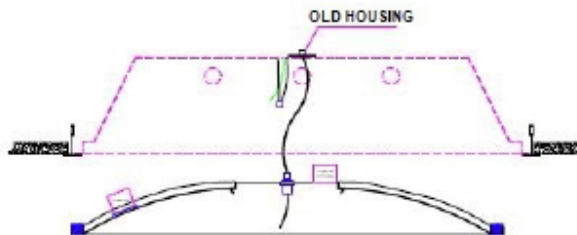
Make two holes (minimum 0.32 in [8 mm]) to attach the suspension in the old house. Sometimes old houses already have house that you can use.

05



As long you pull the cable you pull up the retrofit. Support the fixture with your hand until it attach and fit well inside of the old housing.

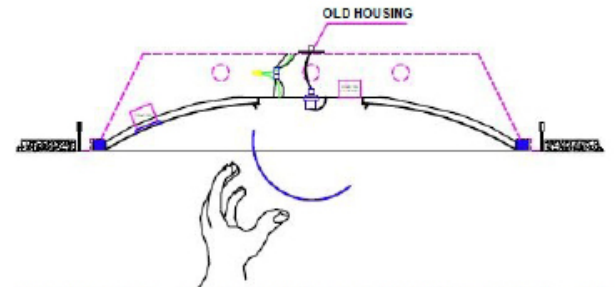
03



Pass the cable of the suspension through the holes of the old housing. After that connect the the cable into the pins of the suspension that are already installed in the retrofit.

Make sure that the retrofit is fixed by the two suspension cables

06



Put the cables behind of the retrofit kit to hide it and do not make any shadow of the lens. After that, bend the lens and put on the place to finish the installation.

Dimensions and specifications subject to change without notice.

