

### APPLICATIONS

This unique LED Retrofit Kits is an energy efficient, easy to install solution to upgrade your fluorescent troffer to LED. Compatible with both standard and narrow T-grids, it offers a simple retrofit that will improve the look of your ceiling with its architectural styling without the need to actually break the ceiling plenum. This kit offers a true Indirect/Direct solution that not only provides more energy efficiency but also the true comfortable performance of an indirect/direct fixture designed especially for workspaces with CRTs. The main diffuser and slanted troffer help reduce glare and create a pleasant, uniform throw of light. With this kit, you will get the energy savings and performance of the latest technology without the fuss and mess of changing out fixtures completely.



### FEATURES & BENEFITS

- ◆ Input voltage 120-277VAC
- ◆ cETL<sub>US</sub> recognized as retrofit
- ◆ 0-10V Dimmable
- ◆ 5 year warranty
- ◆ THD <10%
- ◆ PF >0.95
- ◆ Min CRI 82

### SPECIFICATIONS

The RKDISE retrofit kit is a great upgrade solution for converting fluorescent troffers to LED. The kit provides a stylish architectural look without breaking the ceiling plenum, and provides a more efficient solution with greater energy savings and the performance of the latest technology without the fuss and mess of changing out complete fixtures.

### ORDERING DATA

**EXAMPLE: RKDISE24-LED48FRDMV35**

RKDISE		LED		FR					
Series	Size	Gear	Wattages/Lumens	Lens	Driver	Color Temp	Options		
RKDISE	14 1x4 22 2x2 24 2x4	LED	<b>1x4 Standard</b> 17 17 Watts 2260 Lumens 22 22 Watts 2295 Lumens 24 24 Watts 3260 Lumens 30 30 Watts 4140 Lumens 32 32 Watts 4435 Lumens 35 35 Watts 4725 Lumens 40 40 Watts 5235 Lumens 45 45 Watts 5770 Lumens 50 50 Watts 6280 Lumens <b>2x2 Standard</b> 17 17 Watts 2260 Lumens 18 18 Watts 2410 Lumens 20 20 Watts 2880 Lumens 24 24 Watts 3125 Lumens 28 28 Watts 3610 Lumens 30 30 Watts 3775 Lumens 35 35 Watts 4160 Lumens 40 40 Watts 5160 Lumens 45 45 Watts 5780 Lumens <b>2x4 Standard</b> 15 15 Watts 2155 Lumens 21 21 Watts 3090 Lumens 28 28 Watts 4060 Lumens 30 30 Watts 4315 Lumens 32 32 Watts 4600 Lumens 35 35 Watts 5030 Lumens 40 40 Watts 5700 Lumens 48 48 Watts 6690 Lumens 57 57 Watts 7675 Lumens	FR Frosted lens	<b>DMV</b> 120-277VAC 0-10V Dimmable <b>SDMV</b> 120-277VAC 50% Step Dimming  *Consult for Triac Dimming Options	<b>30</b> 3000K <b>35</b> 3500K <b>40</b> 4000K <b>50</b> 5000K	<b>SS</b> Integrated Sensor <b>SNS200</b> Occupancy Sensor w/ daylight harvesting		

\*Consult for other wattages

Dimensions and specifications subject to change without notice.



**DLC**



DLC Listed Models 1x4	
RKDISE14-LED17FRDMVxx	xx = Color Temp 30, 35, 40, 50
RKDISE14-LED22FRDMVxx	xx = Color Temp 30, 35, 40, 50
RKDISE14-LED24FRDMVxx	xx = Color Temp 30, 35, 40, 50
RKDISE14-LED30FRDMVxx	xx = Color Temp 30, 35, 40, 50
RKDISE14-LED32FRDMVxx	xx = Color Temp 30, 35, 40, 50
RKDISE14-LED35FRDMVxx	xx = Color Temp 30, 35, 40, 50
RKDISE14-LED40FRDMVxx	xx = Color Temp 30, 35, 40, 50
RKDISE14-LED45FRDMVxx	xx = Color Temp 30, 35, 40, 50
RKDISE14-LED50FRDMVxx	xx = Color Temp 30, 35, 40, 50

DLC Listed Models 2x4	
RKDISE24-LED21FRDMVxx	xx = Color Temp 30, 35, 40, 50
RKDISE24-LED28FRDMVxx	xx = Color Temp 30, 35, 40, 50
RKDISE24-LED30FRDMVxx	xx = Color Temp 30, 35, 40, 50
RKDISE24-LED32FRDMVxx	xx = Color Temp 30, 35, 40, 50
RKDISE24-LED35FRDMVxx	xx = Color Temp 30, 35, 40, 50
RKDISE24-LED40FRDMVxx	xx = Color Temp 30, 35, 40, 50
RKDISE24-LED48FRDMVxx	xx = Color Temp 30, 35, 40, 50
RKDISE24-LED57FRDMVxx	xx = Color Temp 30, 35, 40, 50

DLC Listed Models 2x2	
RKDISE22-LED17FRDMVxx	xx = Color Temp 30, 35, 40, 50
RKDISE22-LED18FRDMVxx	xx = Color Temp 30, 35, 40, 50
RKDISE22-LED20FRDMVxx	xx = Color Temp 30, 35, 40, 50
RKDISE22-LED24FRDMVxx	xx = Color Temp 30, 35, 40, 50
RKDISE22-LED28FRDMVxx	xx = Color Temp 30, 35, 40, 50
RKDISE22-LED30FRDMVxx	xx = Color Temp 30, 35, 40, 50
RKDISE22-LED31FRDMVxx	xx = Color Temp 30, 35, 40, 50
RKDISE22-LED35FRDMVxx	xx = Color Temp 30, 35, 40, 50
RKDISE22-LED40FRDMVxx	xx = Color Temp 30, 35, 40, 50
RKDISE22-LED45FRDMVxx	xx = Color Temp 30, 35, 40, 50

Dimensions and specifications subject to change without notice.



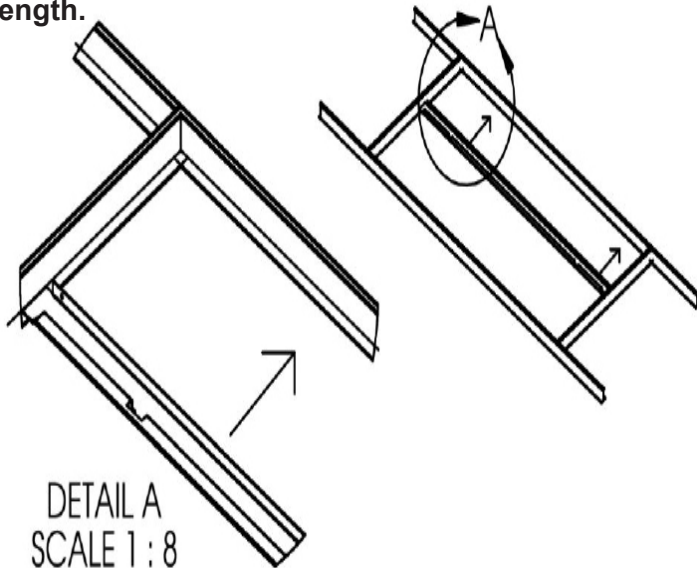
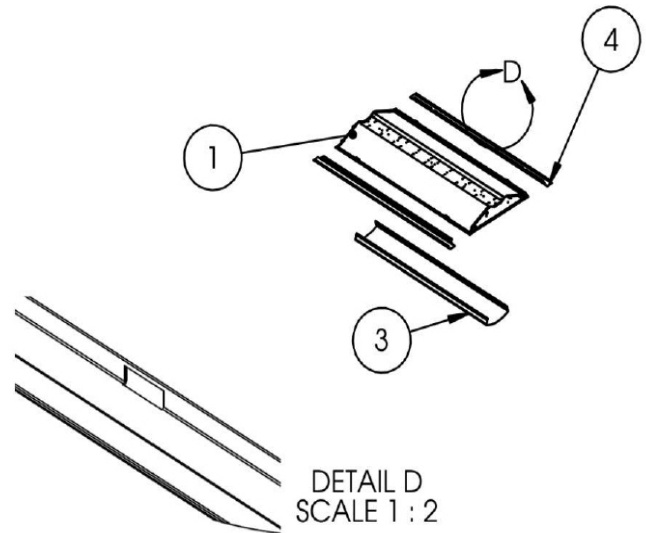
◆ 800-444-WATT ◆ www.mobern.com ◆

8200 Stayton Dr., Ste. 500, Jessup, MD 20794

CAT#			
JOB NAME		TYPE	

1. Disconnect the power. Take out all components in the existing fixture. Leaving only the pan, end caps and all safety and code required attachments on the fixture, essentially the shell of the old fixture.

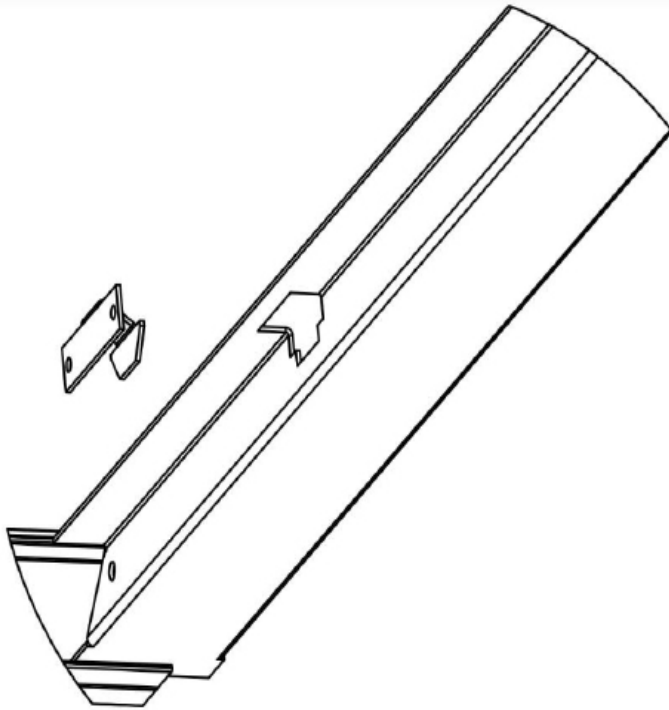
2. Remove the "Old Shell" for a moment. Insert the MNT Strip (4) into the grid. Make sure the back edge with the .500 in. bend is facing the grid with the flat plane of the MNT strip resting atop the lip of the grid at each end. Then push the MNT strip until the .500 in. flange contacts the grid on the side. Place one MNT strip on each side of the grid length.



On certain installments, it will require a specific rail for each side of the fixture. In this case, the rail with the rectangle cutout in its center goes on the side of the fixture with the hooks (example shown in Detail D above) and the rail with no cut out in its center goes on the latch side of the fixture.

3. Once the two MNT strips are in place at each side of the grid, replace the 'old shell' of previous fixture down into the grid. The face of the old fixture that was sitting on the lip of the grid should now be sitting on top of the inside face of the rails on both sides. Be sure to reconnect all safety and code required attachments from the pre-existing fixture. Each side of the fixture should be sitting on top of the MNT strips. This will act as an anchor the RKDIS E.

Dimensions and specifications subject to change without notice.

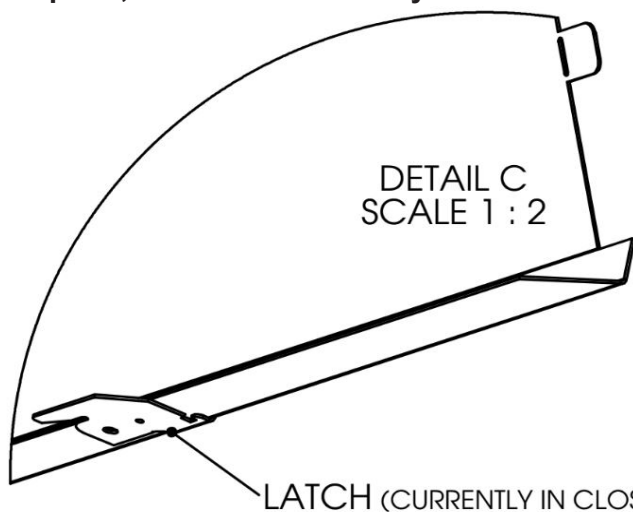
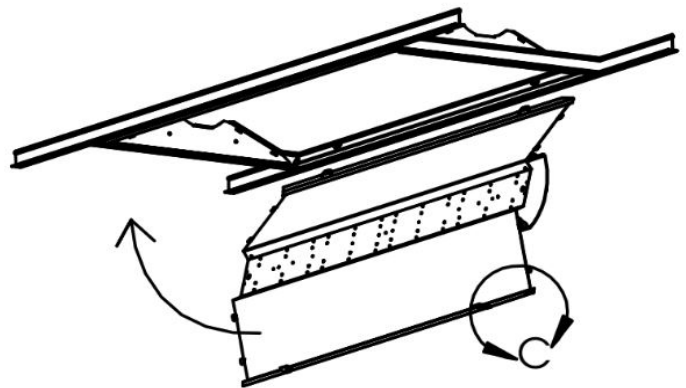


This view is a simple view to show the hook and the hole in the MNT strip where the hook will be placed in. All other parts have been suppressed for this purpose. The pan **WILL BE ATTACHED** to this hook when you are trying to mount the fixture body to the mount strips.

4. With the MNT strips in place, position the body so that the hooks along one side line up with corresponding hole in the MNT strip. Push the hooks into the holes and now the fixture will hang from these strips like an open door. Please note the hooks can go into either MNT strip so be sure you are placing the body on the side you want. As this merely controls from which side the 'door' swings open.

5. With the body now in position all wiring should be easily accomplished. Now just swing the 'door' closed and secure by closing the latches on the body.

At this point, attach the lens and you are done.



Dimensions and specifications subject to change without notice.



PICTURE A

First push the tab at the center of the connect to pull the connect into two sections. The small side should remain attached to the power wires that are attached to the fixture. This leaves you with the larger section to connect your power to. Your power wire should have a standard hot and neutral wire. On the large end of the disconnect you can push the wires from your power cable into the disconnect. The black side being the hot and the white side being the neutral. With your wires attached you can now push the two sides back together and you're done.

(See Demonstration A right)

**INSTALLATION INSTRUCTION CAUTION:**

**WARNING -- RISK OF FIRE OR ELECTRIC SHOCK.**

INSTALL THIS KIT ONLY IN THE LUMINAIRE THAT HAS THE CONSTRUCTION FEATURES AND DIMENSIONS SHOWN IN THE PHOTOGRAPHS AND/OR DRAWINGS AND WHERE THE INPUT RATING OF THE RETROFIT KIT DOES NOT EXCEED THE INPUT RATING OF THE LUMINAIRE.

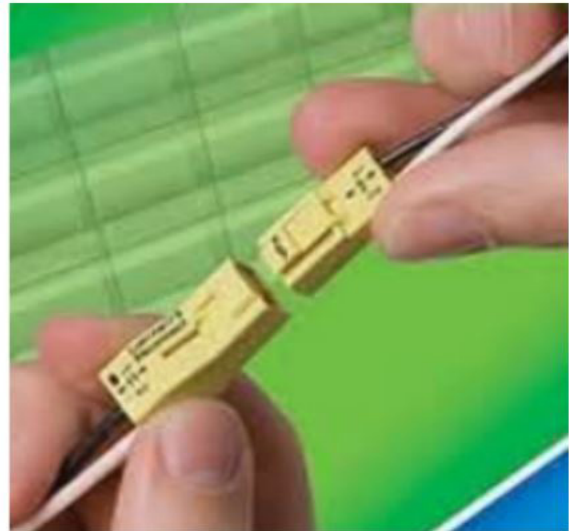
THIS RETROFIT KIT IS ACCEPTED AS A COMPONENT OF A LUMINAIRE WHERE THE SUITABILITY OF THE COMBINATION SHALL BE DETERMINED BY AUTHORITIES HAVING JURISDICTION.

DO NOT MAKE OR ALTER ANY OPEN HOLES IN AN ENCLOSURE OF WIRING OR ELECTRICAL COMPONENTS DURING KIT INSTALLATION.

**WARNING -- RISK OF FIRE OR ELECTRIC SHOCK.**

INSTALLATION OF THIS RETROFIT ASSEMBLY REQUIRES A PERSON FAMILIAR WITH THE CONSTRUCTION AND OPERATION OF THE LUMINAIRE'S ELECTRICAL SYSTEM AND THE HAZARD INVOLVED. IF NOT QUALIFIED, DO NOT ATTEMPT INSTALLATION. CONTACT A QUALIFIED PERSON.

This fixture is designed with a quick disconnect feature. (See Picture A left)....meaning the fixture itself has a small yellow disconnect attachment.



DEMONSTRATION A

Dimensions and specifications subject to change without notice.