

### APPLICATIONS

Premium quality low profile troffer with an almost limitless range of applications. Ideal for all commercial and industrial buildings requiring general illumination with recessed configurations.

### FEATURES & BENEFITS

- ◆ Housing embossed for maximum rigidity. Rounded side flanges for safe handling.
- ◆ Louvered heat removal slots on the back of the housing remove heat and prevent dust from entering the unit from the plenum
- ◆ Four corner tie points for safety wire supports
- ◆ Same ends fit 2x2 and 2x4
- ◆ Door frame hinges on end from either side of housing
- ◆ Prismatic lenses and all types of louvers can be fitted to door frame
- ◆ Optional damper screws onto outside of housing; controls air flow volume



### SPECIFICATIONS

Housing: 3 3/4" deep. Die formed standard or 20 gauge steel. Ends snap into housing or can be secured with #8 x 3/8" screw or 1/8" pop rivet with 1/8" to 3/16" grip (not included). Access plate snaps in for easy access. Flush steel door frame. Air intake slots and baffles are built into the ends of the door frame. White polyester polymer finish with a minimum 82% reflectivity. Designed for recess installation in exposed T-bar ceilings. Designed for concealed Z-bar ceilings. Leveling lugs (4 included) attached to each corner of body for use with concealed Z-bar ceilings. Joiner connects and aligns ends of housing in continuous runs. It overlaps ends and is attached by bending tabs.

### ORDERING DATA

EXAMPLE: RGAIR22-LED35DMV40

RGAIR		LED		Wattage & Lumens		Driver Type <sup>1</sup>		Color Temp		Options	
Series	Size	Gear									
RGAIR	22	2x2	LED	<b>20</b>	20 Watts 2070 Lumens	DMV	0-10V Dimmable	<b>30</b>	3000K	See Below	
LED Grid	24	2x4		<b>24</b>	24 Watts 2340 Lumens		120 - 277VAC	<b>35</b>	3500K		
				<b>28</b>	28 Watts 2800 Lumens	SDMV	120-277VAC	<b>40</b>	4000K		
				<b>35</b>	35 Watts 3300 Lumens		Step Dimming	<b>50</b>	5000K		
				<b>45</b>	45 Watts 4500 Lumens		100%-40%				
				<b>Standard 2x4</b>						<b>Options</b>	
				<b>32</b>	32 Watts 3775 Lumens					EM	10W, 1300 Lumen Emergency Backup
				<b>35</b>	35 Watts 4130 Lumens					EM5	5W, 650 Lumens, Battery Backup
				<b>45</b>	45 Watts 5225 Lumens					EM7	7W, 900 Lumens, Battery Backup
				<b>48</b>	48 Watts 5605 Lumens					Blank	A12 .100 thick lens
				<b>57</b>	57 Watts 6400 Lumens					125	A12 .125 thick lens
				<b>62</b>	62 Watts 6650 Lumens					156	A19 .156 thick lens
				<b>72</b>	72 Watts 8265 Lumens					CL	Clear .100 thick lens
										CL125	Clear .125 thick lens
										SW	Smooth White .100 thick lens
										S5	Specular Parabolic Louver (1/2"x1/2"x3/8")
										S75	Specular Parabolic Louver (3/4"x3/4"x3/8")
										S15	Specular Parabolic Louver (1 1/2"x1 1/2"x1")
										W5	White Parabolic Louver (1/2"x1/2"x3/8")
										DD	Drop Dish Lens
										A78	78 Cell (2x4) or 36 Cell (2x2)
										NL	No Lens
										NFL	No Frame and Lens
										FR	High Optic Frosted

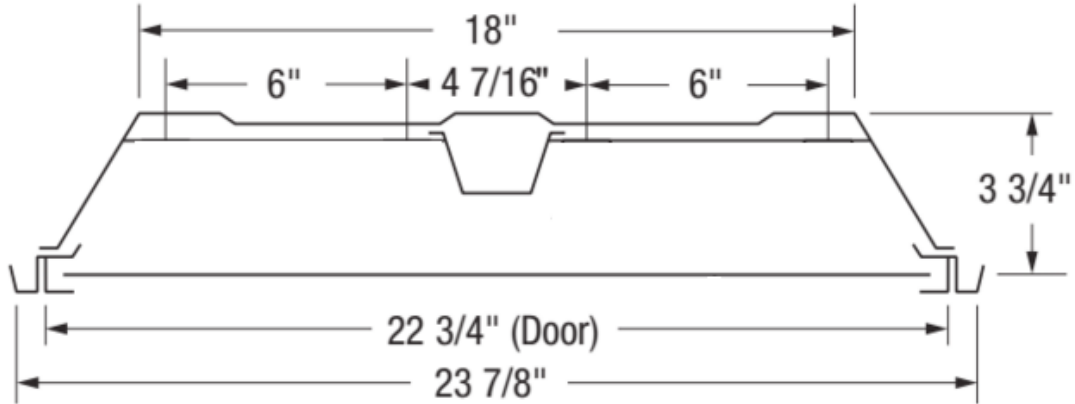


Dimensions and specifications subject to change without notice.

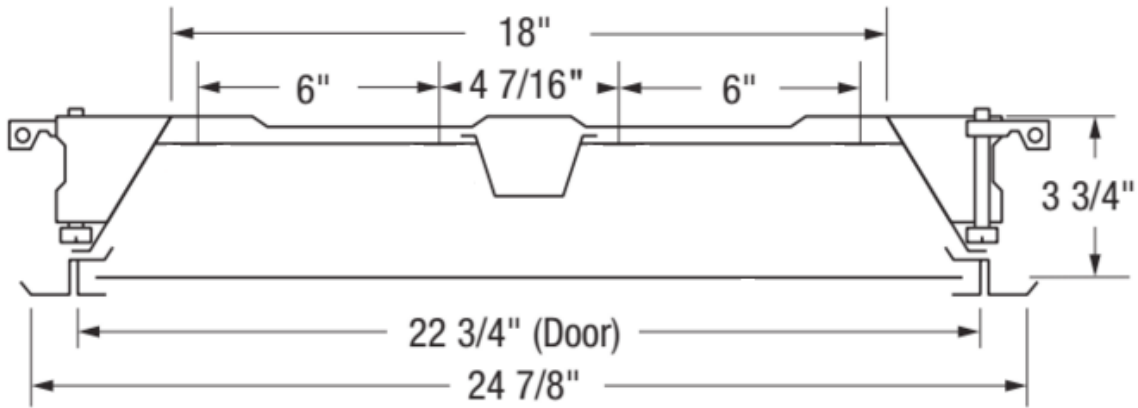
800-444-WATT    www.mobern.com  
8200 Stayton Dr., Ste. 500, Jessup, MD 20794

CAT#	
JOB NAME	
TYPE	

**DIMENSIONS**



End View: RGAIR-LED Economy Lay-in



End View: RGAIR-LED Economy Flange Lay-in

Dimensions and specifications subject to change without notice.



CAT#	
JOB NAME	TYPE