



L I G H T I N G

Professional Series

RDISE PLED LED Center Basket Fixture

APPLICATIONS

The RDISE LED is a specification grade, Volumetric Recessed LED Luminaire which provides smooth and uniform ambient lighting for all commercial and industrial buildings with recessed configurations. Reflected light from matte surfaces provide a softened appearance to the modern office environment.

FEATURES & BENEFITS

- ◆ Volumetric recessed luminaire provides a low glare light source
- ◆ Matte white reflective surface for soft, uniform light distribution
- ◆ 0-10V dimming driver standard
- ◆ Easy access plate for quick wiring
- ◆ ETL Listed for damp locations
- ◆ L70 Life: reported- 54,000 hours, calculated- 117,000 hours
- ◆ BAA/ARRA Compliant

SPECIFICATIONS

Housing is die-formed and embossed code 22 gauge steel. Luminaire body finish is high reflectance baked white enamel, with matte white reflectors. Wiring knockouts are provided on the back of housing. Center diffuser snaps into place; no tools are required for removal.



ORDERING DATA

EXAMPLE: RDISE24P-LED37FRDMV40

RDISE		Series		Size		Suffix		Gear		Wattage / Lumens		Lens		Driver		Color Temp	
RDISE		14	1X4	P		LED				1X4		FR	Frosted Lens	DMV	0-10V Dimmable 120-277 VAC Multivolt 0-10V	30	3000K
		22	2x2	(Professional)						2X2	37	37 Watts	4595 Lumens			35	3500K
		24	2x4							2X4	22	22 Watts	2585 Lumens			40	4000K
										2X4	37	37 Watts	4645 Lumens			50	5000K

Options

- EM Emergency Battery Pack
10W ~1300 Lumens
- EM4F Emergency Battery Pack
4W ~450 Lumens
- EM5 Emergency Battery Pack
5W ~650 Lumens
- EM7 Emergency Battery Pack
7W ~900 Lumens
- SS Integral occ sensor
- SSD Integral occ sensor w
daylight harvesting

*Consult for other options

* Emergency Drivers may be remote mounted on 2x2 fixtures

Values based on ambient temperature of 25 degrees celcius and 4000K
Lumens are subject to a tolerance of ±10%
Wattage is approximate and subject to a tolerance of ±5%
Dimensions and specifications subject to change without notice



L I G H T I N G

◆ 800-444-WATT ◆ www.mobern.com ◆
8200 Stayton Dr., Ste. 500, Jessup, MD 20794

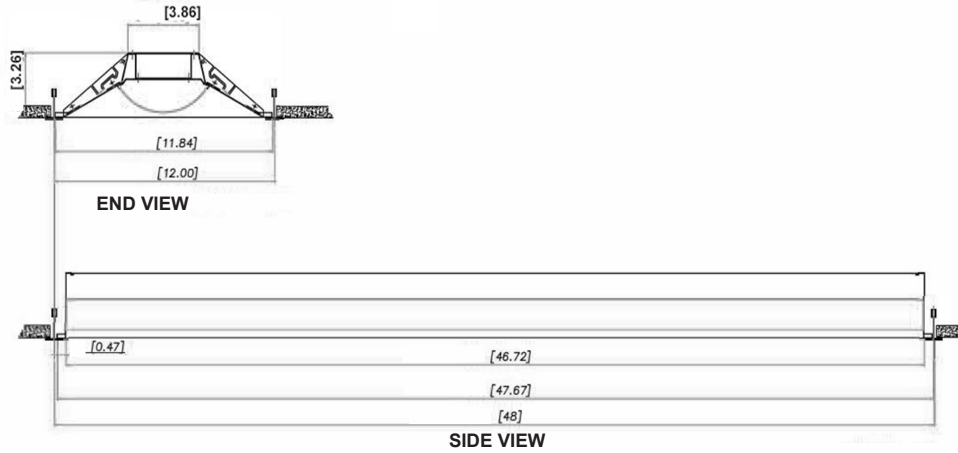
CAT#

JOB NAME

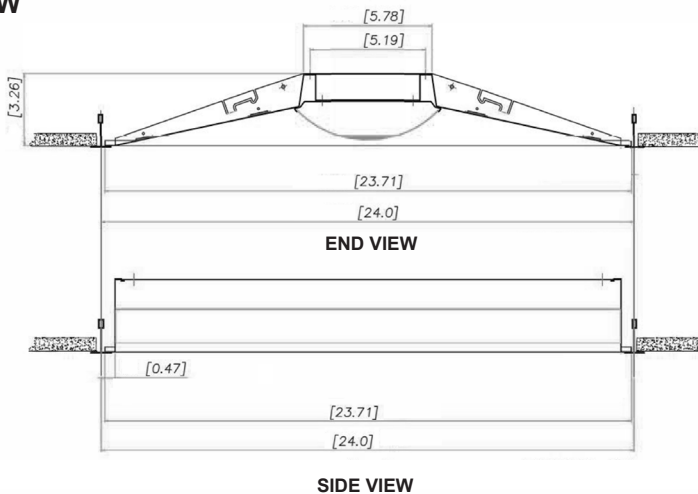
TYPE

DIMENSIONS

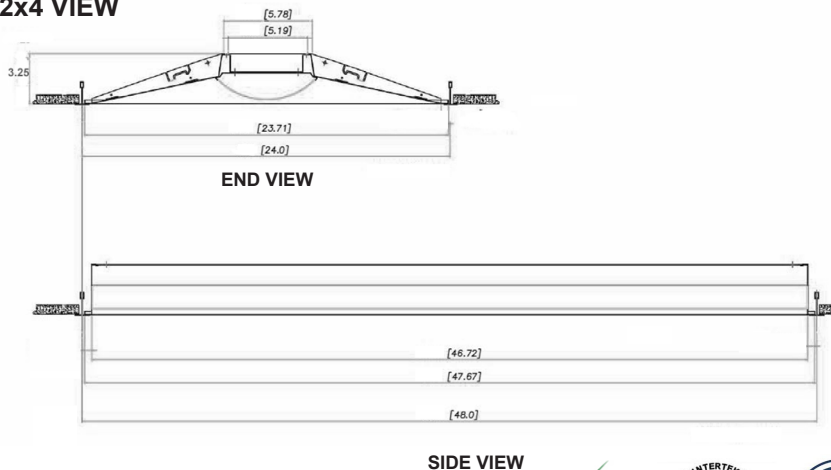
1x4 VIEW



2x2 VIEW



2x4 VIEW



Dimensions and specifications subject to change without notice.



◆ 800-444-WATT ◆ www.mobern.com ◆
8200 Stayton Dr., Ste. 500, Jessup, MD 20794

CAT#

JOB NAME

TYPE