

APPLICATIONS

The RDISE LED is a specification grade, Volumetric Recessed LED Luminaire which provides smooth and uniform ambient lighting for all commercial and industrial buildings with recessed configurations. Reflected light from matte surfaces provide a softened appearance to the modern office environment.

FEATURES & BENEFITS

- ◆ Volumetric recessed luminaire provides a low glare light source
- ◆ Matte white reflective surface for soft, uniform light distribution
- ◆ 0-10V dimming driver standard
- ◆ Easy access plate for quick wiring
- ◆ cETL_{US} Listed for damp locations
- ◆ Min CRI 82



SPECIFICATIONS

Housing is die-formed and embossed code 22 gauge steel. Luminaire body finish is high reflectance baked white enamel, with matte white reflectors. Wiring knockouts are provided on the back of housing. Center diffuser snaps into place; no tools are required for removal.

ORDERING DATA

EXAMPLE: RDISE24-LED48DMV40

RDISE		LED		Wattage / Lumens			FR		Driver		Color Temp	
Series	Size	Gear	Wattage / Lumens			Lens	Driver		Color Temp			
RDISE	14 1x4 22 2x2 24 2x4	LED	1x4 Standard	Lumens/Watt DLC		FR Frosted Lens	DMV 120-277VAC 0-10V Dimmable	30 3000K 35 3500K 40 4000K 50 5000K				
			15 15 Watts 1940 Lumens 126 N				SDMV 120-277V 50% Step Dimming					
			22 22 Watts 3145 Lumens 137 Y									
			30 30 Watts 4015 Lumens 133 Y									
			35 35 Watts 4580 Lumens 130 Y									
			40 40 Watts 5140 Lumens 128 Y									
			48 48 Watts 6025 Lumens 125 Y									
			57 57 Watts 7020 Lumens 120 Y									
			2x2 Standard									
			18 18 Watts 2115 Lumens 119 Y									
			20 20 Watts 2535 Lumens 126 Y									
			24 24 Watts 3015 Lumens 125 Y									
			30 30 Watts 3605 Lumens 120 Y									
			2x4 Standard									
			15 15 Watts 1955 Lumens 126 N									
			22 22 Watts 3145 Lumens 137 Y									
			30 30 Watts 4095 Lumens 136 Y									
			32 32 Watts 4305 Lumens 134 Y									
			35 35 Watts 4535 Lumens 129 Y									
			40 40 Watts 5245 Lumens 131 Y									
			48 48 Watts 6155 Lumens 128 Y									
			57 57 Watts 7210 Lumens 122 Y									

Options	
EM	Emergency Battery Pack 10W ~1300 Lumens
EM4F	Emergency Battery Pack 4W ~450 Lumens
EM5	Emergency Battery Pack 5W ~650 Lumens
EM7	Emergency Battery Pack 7W ~900 Lumens
SNS200	Occupancy Sensor w/ Daylight Harvesting

* Emergency Drivers may be remote mounted on 2x2 fixtures

Lumens are subject to a tolerance of ±10%
Wattage is approximate and subject to a tolerance of ±5%

Dimensions and specifications subject to change without notice.



◆ 800-444-WATT ◆ www.mobern.com ◆

8200 Stayton Dr., Ste. 500, Jessup, MD 20794

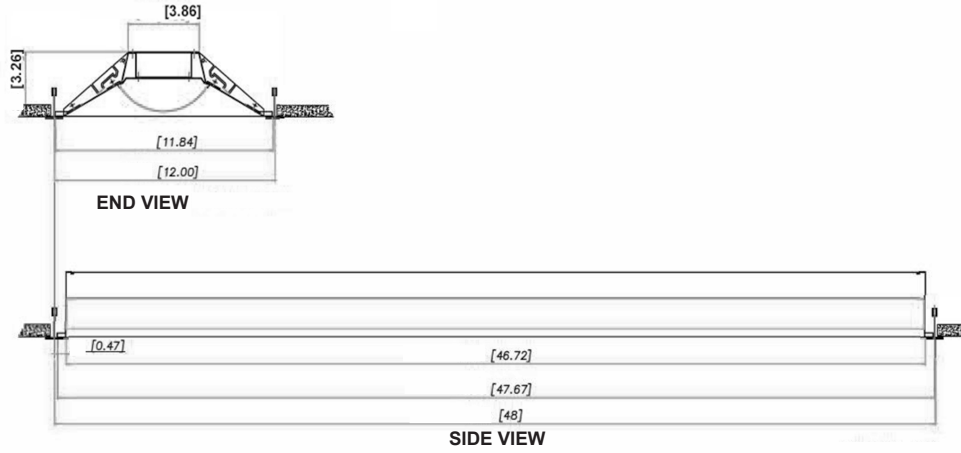
CAT#

JOB NAME

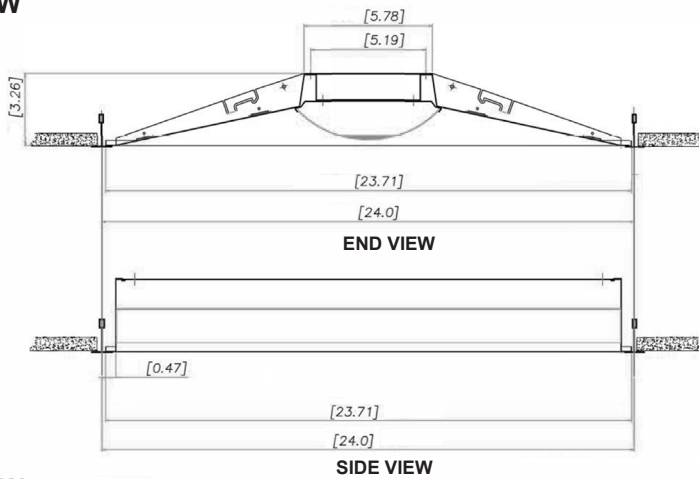
TYPE

DIMENSIONS

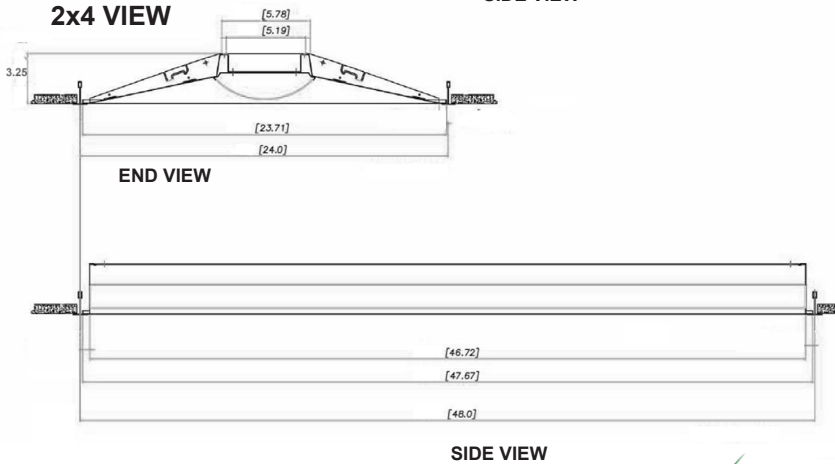
1x4 VIEW



2x2 VIEW



2x4 VIEW



Dimensions and specifications subject to change without notice.

