

### APPLICATIONS

The RDISA-LED is a specification grade, Volumetric Recessed LED Luminaire which provides smooth and uniform ambient lighting for all commercial and industrial buildings with recessed configurations. Reflected light from matte surfaces provide a softened appearance to the modern office environment.

### FEATURES & BENEFITS

- ◆ Volumetric recessed luminaire provides a low glare light source
- ◆ Matte white reflective surface for soft, uniform light distribution
- ◆ Multiple diffuser options available
- ◆ Min CRI 82
- ◆ Easy access plate for quick wiring
- ◆ Heat removal slots on the side of housing remove heat and prevent dust from entering the unit from the plenum
- ◆ 5 year warranty



### SPECIFICATIONS

Housing is die-formed and embossed code 22 gauge steel. Luminaire body finish is high reflectance baked white enamel, with matte white reflectors. Wiring knockouts are provided on the back of housing. Center diffuser snaps into place; no tools are required for removal.

### ORDERING DATA

EXAMPLE: RDISA22-LED28FRDMV40

RDISA	Size	LED	Wattage/Lumens	Lens	Driver	Color Temp
Series	Size	Gear				
RDISA	14 1x4 22 2x2 24 2x4	LED				
			<b>1x4</b>	FR Frosted Lens PF Perforated Basket RL Ribbed Acrylic Lens	DMV 120-277V Multivolt 0-10V Dimmable SDMV Step dimming Multivolt DHV 347-480VAC 0-10V Dimming D347V 347VAC 0-10V Dimming D120 Triac Dimming 120VAC D277 Triac Dimming 277VAC	30 3000K 35 3500K 40 4000K 50 5000K
			<b>2x4</b>			
			28 28 Watts 3200 Lumens 32 32 Watts 3620 Lumens 48 48 Watts 5450 Lumens 57 57 Watts 6080 Lumens 60 60 Watts 6430 Lumens			
			<b>2x2</b>			
			20 20 Watts 2440 Lumens 24 24 Watts 3030 Lumens 28 28 Watts 3500 Lumens 30 30 Watts 3630 Lumens 35 35 Watts 4200 Lumens 42 42 Watts 4800 Lumens			

Lumens are subject to a tolerance of ±10%  
Wattage is approximate and subject to a tolerance of ±5%

\*Consult for other wattages

Options	
EM	Emergency Battery Pack 10W~1300 Lumens
EM5	Emergency Battery Pack 5W~650 Lumens
EM7	Emergency Battery Pack 7W~900 Lumens
EM4F	Emergency Battery Pack 4W~450 Lumens
SS	Integrated Sensor
WP	6 ft. 3 wire mc whip

Dimensions and specifications subject to change without notice.



### Dimensions

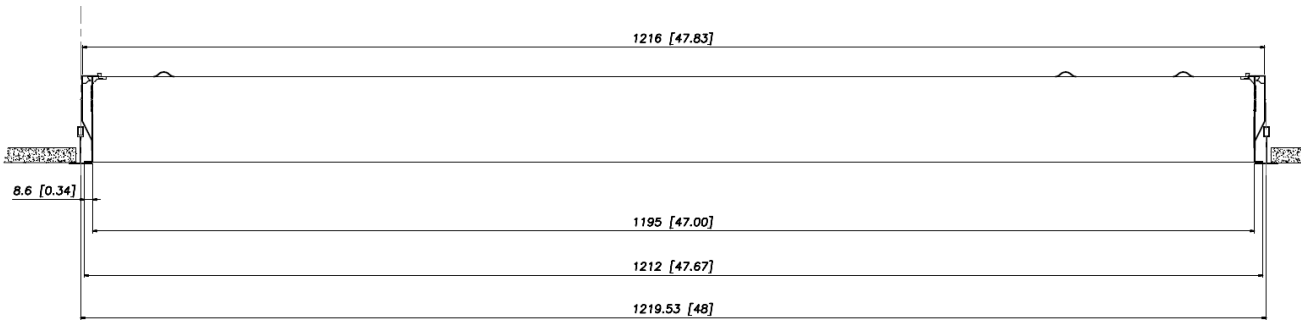
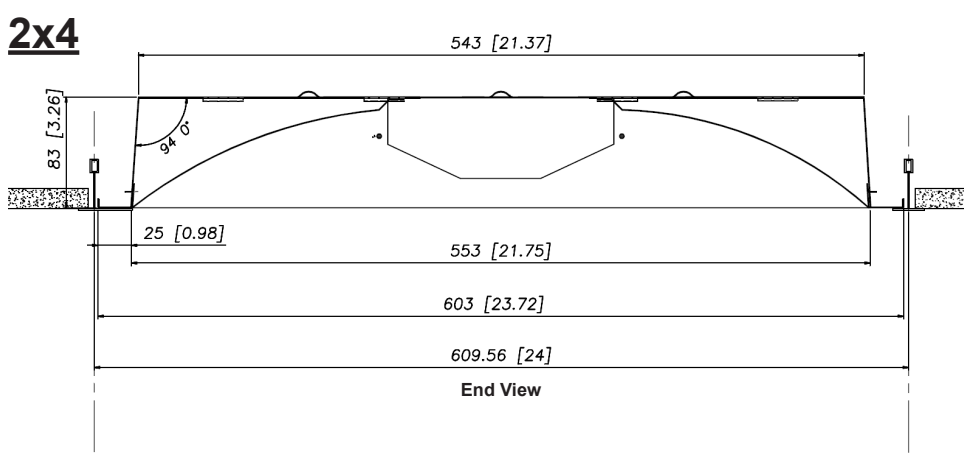
#### Dimensions in inches

**1x4**  
12"Wx47"Lx3.26"H

**2x4**  
12"Wx47"Lx3.26"H

**2x2**  
24"Wx24"Lx3.26H

### 2x4

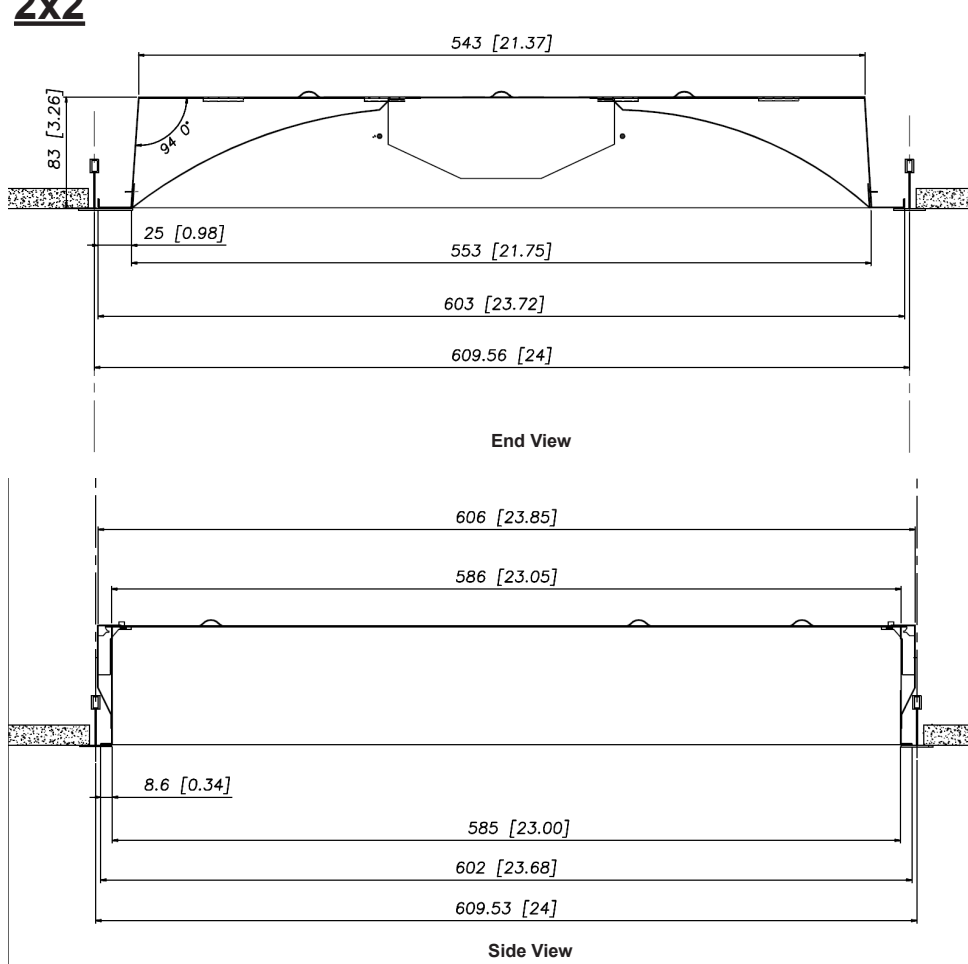


Side View

Dimensions and specifications subject to change without notice.



**2x2**



Dimensions and specifications subject to change without notice.



CAT#			
JOB NAME		TYPE	