

### APPLICATIONS

The REDISLED is a specification grade, Volumetric Recessed LED Luminaire which provides smooth and uniform ambient lighting for all commercial and industrial buildings with recessed configurations. Reflected light from matte surfaces provide a softened appearance to the modern office environment.

### FEATURES & BENEFITS

- ◆ Volumetric recessed luminaire provides a low glare light source
- ◆ Matte white reflective surface for soft, uniform light distribution
- ◆ Multiple diffuser options available
- ◆ Min CRI 82
- ◆ IC Rated
- ◆ Easy access plate for quick wiring
- ◆ cETL<sub>US</sub> listed for damp locations up to 67 watts
- ◆ DLC listed on certain models
- ◆ 5 year warranty



### SPECIFICATIONS

Housing is die-formed and embossed code 22 gauge steel. Luminaire body finish is high reflectance baked white enamel, with matte white reflectors. Wiring knockouts are provided on the back of housing. Center diffuser snaps into place; no tools are required for removal. Listed by and bears **ETL** label.

### ORDERING DATA

EXAMPLE: REDIS22-LED28FRDMV40

REDIS		LED		Wattage/Lumens		Lens		Driver		Color Temp	
Series	Size	Gear									
REDIS	14 1x4 22 2x2 24 2x4	LED				<b>FR</b> Frosted Lens <b>PF</b> Perforated Basket <b>RL</b> Ribbed Acrylic Lens		<b>DMV</b> 120-277V Multivolt 0-10V Dimmable <b>SDMV</b> Step dimming Multivolt <b>DHV</b> 347-480VAC 0-10V Dimming <b>D347V</b> 347VAC 0-10V Dimming <b>D120</b> Triac Dimming 120VAC <b>D277</b> Triac Dimming 277VAC	<b>30</b> 3000K <b>35</b> 3500K <b>40</b> 4000K <b>50</b> 5000K		
			<b>1x4</b>	<b>28</b> 28 Watts 3200 Lumens <b>32</b> 32 Watts 3620 Lumens <b>48</b> 48 Watts 5450 Lumens <b>57</b> 57 Watts 6080 Lumens <b>60</b> 60 Watts 6430 Lumens							
			<b>2x4</b>	<b>28</b> 28 Watts 3200 Lumens <b>32</b> 32 Watts 3620 Lumens <b>48</b> 48 Watts 5450 Lumens <b>57</b> 57 Watts 6080 Lumens <b>60</b> 60 Watts 6430 Lumens <b>62</b> 62 Watts 6900 Lumens <b>72</b> 72 Watts 7000 Lumens							
			<b>2x2</b>	<b>20</b> 20 Watts 2440 Lumens <b>24</b> 24 Watts 3030 Lumens <b>28</b> 28 Watts 3500 Lumens <b>30</b> 30 Watts 3630 Lumens <b>35</b> 35 Watts 4200 Lumens <b>42</b> 42 Watts 4800 Lumens							



DLC Listed	
REDIS22-LED20FRDMVxx	xx=30,35,40,50 (WP,EM)
REDIS22-LED24FRDMVxx	xx=30,35,40,50 (WP,EM)
REDIS22-LED28FRDMVxx	xx=30,35,40,50 (WP,EM)
REDIS22-LED30FRDMVxx	xx=30,35,40,50 (WP,EM)
REDIS24-LED32DMVFRxx	xx=30,35,40,50
REDIS24-LED48DMVFRxx	xx=30,35,40,50
REDIS24-LED57DMVFRxx	xx=30,35,40,50
REDIS24-LED60DMVFRxx	xx=30

Lumens are subject to a tolerance of ±10%  
Wattage is approximate and subject to a tolerance of ±5%

\*Consult for other wattages

### Options

- EM** Emergency Battery Pack 10W~1300 Lumens
- EM5** Emergency Battery Pack 5W~650 Lumens
- EM7** Emergency Battery Pack 7W~900 Lumens
- EM4F** Emergency Battery Pack 4W~450 Lumens
- SS** Integrated Sensor
- WP** 6 ft. 3 wire mc whip



Dimensions and specifications subject to change without notice.

◆ 800-444-WATT ◆ www.mobern.com ◆

8200 Stayton Dr., Ste. 500, Jessup, MD 20794

CAT#

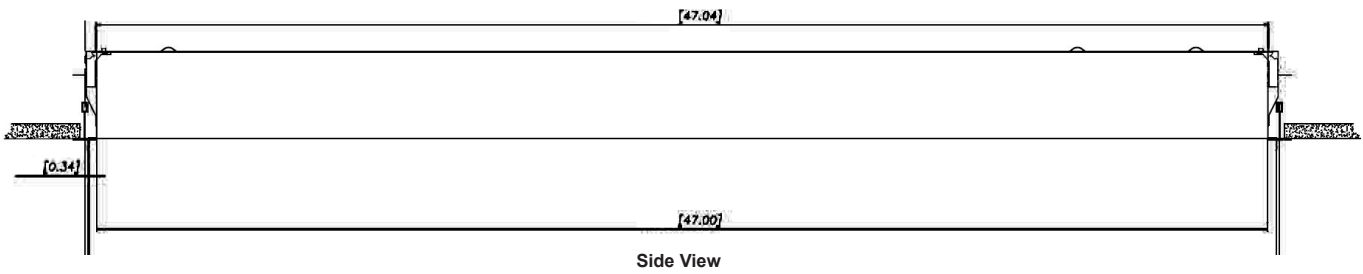
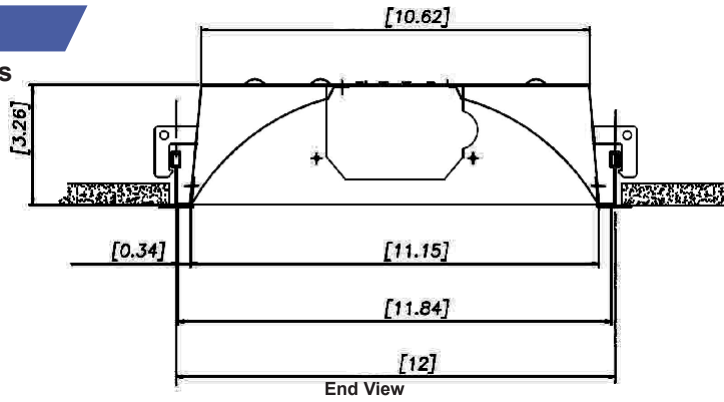
JOB NAME

TYPE

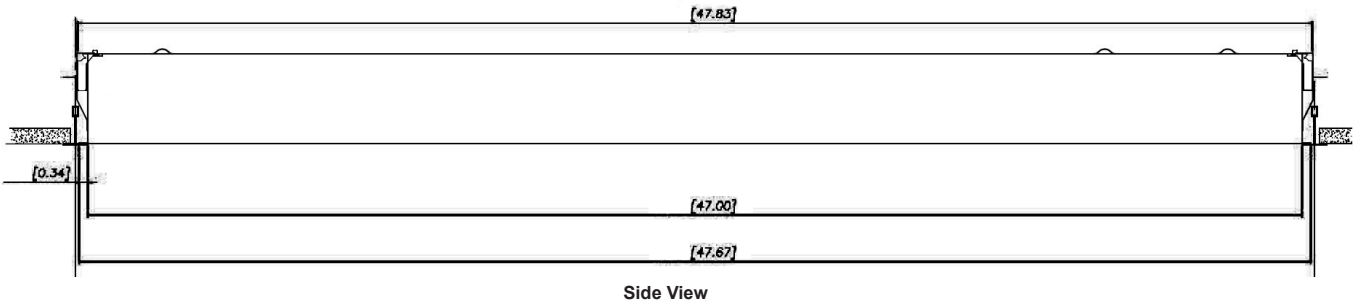
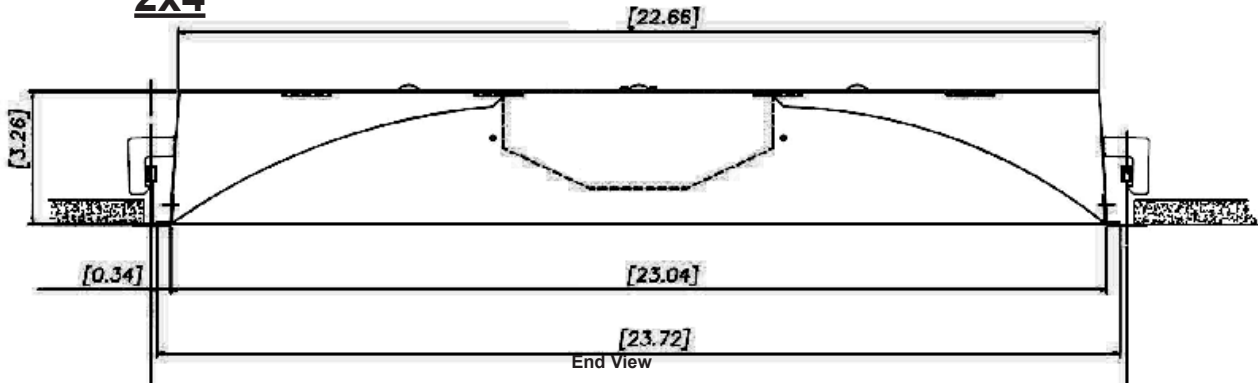
**Dimensions**

Dimensions in inches

**1x4**



**2x4**



Dimensions and specifications subject to change without notice.

◆ 800-444-WATT ◆ www.mobern.com ◆

8200 Stayton Dr., Ste. 500, Jessup, MD 20794

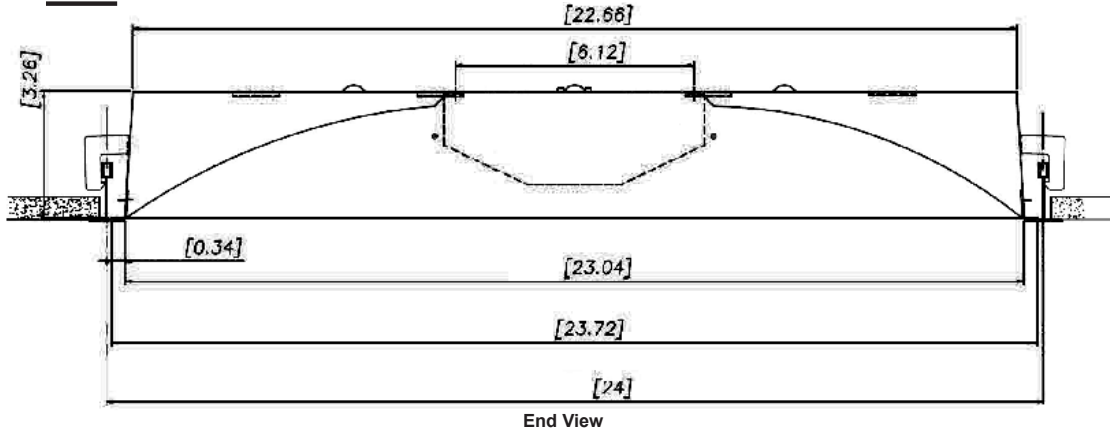
CAT#

JOB NAME

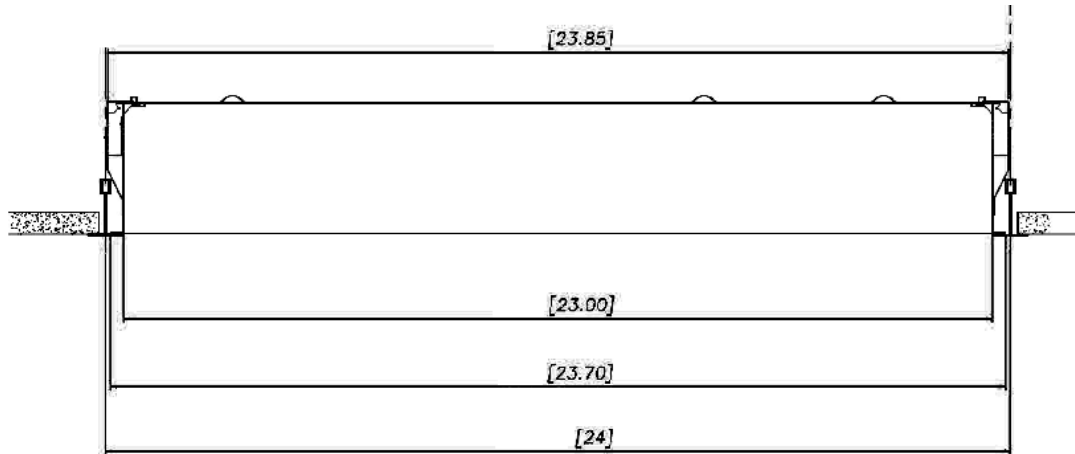
TYPE

Dimensions in inches

**2x2**



End View



Side View



Dimensions and specifications subject to change without notice.

◆ 800-444-WATT ◆ www.mobern.com ◆  
8200 Stayton Dr., Ste. 500, Jessup, MD 20794

CAT#	
JOB NAME	TYPE