

#### APPLICATIONS

The PTRSO-LED Reveal Large Square Open Post Top is available in a Type V distribution with two lens options designed to replace HID lighting systems up to 1000W MH or HPS. The fixture mounts to a pole top tenon. Typical area lighting applications include parking areas, walkways, and street lighting applications. Mounting heights of 12 to 30 feet can be used based on light level and uniformity requirements.

#### FEATURES & BENEFITS

- ◆ Min CRI 80
- ◆  $L_{70} > 362000$  hrs. at 25°C
- ◆ Accommodates "P3" 2<sup>7/8</sup>" O.D. x 4" Tenons
- ◆ THD < 20%, PF > 0.90
- ◆ Standard 6 kV surge protection
- ◆ Clear or LumaLens opal array lens to seal LED array
- ◆ Black powdercoat finish over a chromate conversion coating
- ◆ IP66 sealed LED compartment
- ◆ cCSA<sub>US</sub> listed for wet locations
- ◆ 5 year warranty for -40°C to +50°C



#### ORDERING DATA

EXAMPLE: PTRSO-LED186DMVBK50

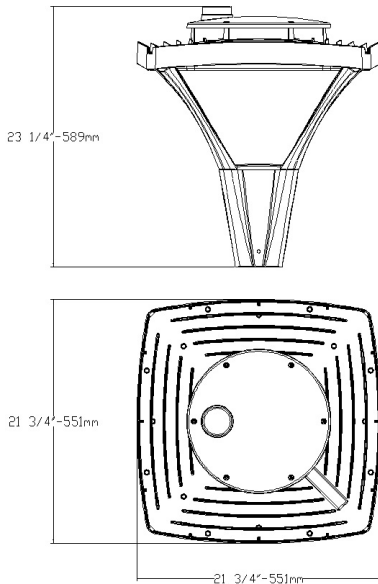
PTRSO	LED	186	DMV		BK	
Series	Gear	Wattage/Lumens	Driver	Lens	Finish**	Color Temp
<b>PTRSO</b> Reveal Large Square Open Post Top	<b>LED</b>	<b>186</b> 190 Watts 19509 Lumens* <small>*16680 Lumens w/ Opal Lens</small>	<b>DMV</b> 120-277VAC 0-10V Dimmable to 10%	<b>(Blank)</b> Clear Lens <b>O</b> Opal Lens	<b>BK</b> Black	<b>50</b> 5000K

\*\*Consult for other finish options

#### Options

- SF** Single Fuse
- DF** Double Fuse
- SP** Surge Protection
- SSM** Microwave Sensor
- R3** 3-pin twist lock photocell receptacle
- R7** 7-pin ANSI C136.41 - 2013 twist lock photocell receptacle

#### DIMENSIONS



Dimensions and specifications subject to change without notice.



CAT#	
JOB NAME	
TYPE	