

#### APPLICATIONS

The PTRRSO-LED and PTRRSE-LED Reveal Small Reveal Post Tops are available in a Type V distribution designed to replace HID lighting systems up to 250W MH or HPS. The fixtures mount to a pole top tenon. Typical area lighting applications include parking areas, walkways, and street lighting applications. Mounting heights of 12 to 20 feet can be used based on light level and uniformity requirements.

#### FEATURES & BENEFITS

- ◆ Min CRI 80
- ◆  $L_{70} > 473000$  hrs. at 25°C
- ◆ Accommodates "P3" 2<sup>7/8</sup>" O.D. x 3" Tenons
- ◆ THD < 20%, PF > 0.90
- ◆ Standard 6 kV surge protection
- ◆ Clear or LumaLens opal array lens to seal LED array
- ◆ Black powdercoat finish over a chromate conversion coating
- ◆ IP66 sealed LED compartment
- ◆ cCSA<sub>US</sub> listed for wet locations
- ◆ 5 year warranty for -40°C to +50°C



#### ORDERING DATA

EXAMPLE: PTRRSO-LED86DMVBK50

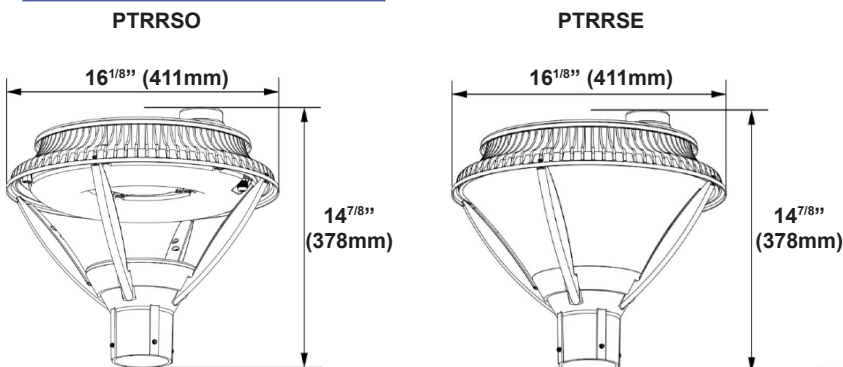
PTRRS	LED	DMV	BK	Options		
<b>Series</b> <b>PTRRS</b> Reveal Small Round Post Top	<b>Gear</b> <b>LED</b>	<b>Wattage/Lumens</b> 43 43.2 Watts 86 86.3 Watts <sup>1</sup>	<b>Driver</b> <b>DMV</b> 120-277VAC 0-10V Dimmable to 10%	<b>Array Lens</b> <b>(Blank)</b> Clear Lens <b>O</b> Opal Lens	<b>Finish<sup>2</sup></b> <b>BK</b> Black	<b>Color Temp</b> <b>30</b> 3000K <b>40</b> 4000K <b>50</b> 5000K
<b>Type</b> <b>O</b> Open <b>E</b> Enclosed					<sup>2</sup> Consult for other finish options	

<sup>1</sup>See Lumen chart below

Lumen Chart 86.3 Watts								
	4000K	B	U	G	5000K	B	U	G
PTRRSO w/ Clear Lens	8,192 Lumens	3	2	1	8,398 Lumens	3	2	1
PTRRSO w/ Opal Lens	7,004 Lumens	2	2	1	7,180 Lumens	2	2	1
PTRRSE w/ Clear Lens	6,781 Lumens	2	2	1	6,951 Lumens	2	2	1
PTRRSE w/ Opal Lens	5,798 Lumens	2	2	1	5,994 Lumens	2	2	1

<sup>3</sup>Only available w/ open post top

#### DIMENSIONS



Dimensions and specifications subject to change without notice.



CAT#	
JOB NAME	
TYPE	