

### APPLICATIONS

This high performance perimeter recessed light creates a wash of ambient and vertical illumination at the transition between the wall and the ceiling plane. It is available in 2', 4', 6', and 8' sections with telescoping options that can be combined to make longer runs, and 4" regressed optic. The PER-LED is ideal for offices, hallways, conference rooms, and medical facilities.

### FEATURES & BENEFITS

- ◆ Steel sheet metal galvanized and powder coated body
- ◆ Internal joiner system, plug-together wiring standard
- ◆ L<sub>70</sub> > 50,000 hrs.
- ◆ Min CRI 80
- ◆ Power factor 0.99
- ◆ Suitable for dry or damp locations
- ◆ 5 year warranty



### ORDERING DATA

EXAMPLE: PERW42RFSF-24LED16DMV30

<b>Series</b> PER perimeter recessed light	<b>Mounting</b> TR Threaded Rod *For grid ceiling installation W Wall Bracket *For drywall installation	<b>Size</b> 24 24" 48 48" 72 72" 96 96"	<b>Gear</b> LED	<b>Driver</b> DMV 120-277VAC Multivolt 0-10V Dimming TDMV 120-277VAC Triac Dimmable	<b>Color Temp</b> 30 3000K 35 3500K 40 4000K 50 5000K	<b>Configuration</b> Blank Individual -B Beginner Run -E Ender Run -J Joiner -T Telescoping
	<b>Optic Size</b> 42 4"W x 2"H 44 4"W x 4"H 46 4"W x 6"H	<b>Lens</b> SF Snap-in frosted acrylic lens		<b>Wattage/Lumens</b> 16 16 Watts 1600 Lumens 32 32 Watts 3200 Lumens 48 48 Watts 4800 Lumens 64 64 Watts 6400 Lumens	<b>Options</b> EM 10W, 1200 lumen battery backup *required to be remote length for 3ft or under	
	<b>Ceiling</b> RF Flange R 1" T-Bar					

Dimensions and specifications subject to change without notice.



### SPECIFICATIONS

#### MOUNTING:

The standard mounting (Threaded Rod -TR) option eliminates the need to install luminaires prior to the slot being framed. The luminaire mounts on threaded rods. The gasket runs the length of the luminaire ensuring a clean finish at the wall. Optional mounting includes a wall bracket that is attached to the wall. Luminaires are then snapped onto the bracket. The luminaire installation that uses the mounting bracket must be performed before the perimeter slot framing is built.

#### END CAPS:

The luminaire can terminate in three different end conditions to accommodate project needs. End caps are made of 22-gauge, die-formed steel.

#### END CONDITIONS:

**Beginner (B) or End (E)** Standard is used when the luminaire terminates at a wall. It adds 1/8" per end cap to overall length of the luminaire.

**Joiner (J)** Includes the necessary hardware to accommodate ceiling materials when the luminaire doesn't terminate at a wall. Adds 1 1/4" for spackle flange and 1" for T-Bar per end cap to overall length of the luminaire.

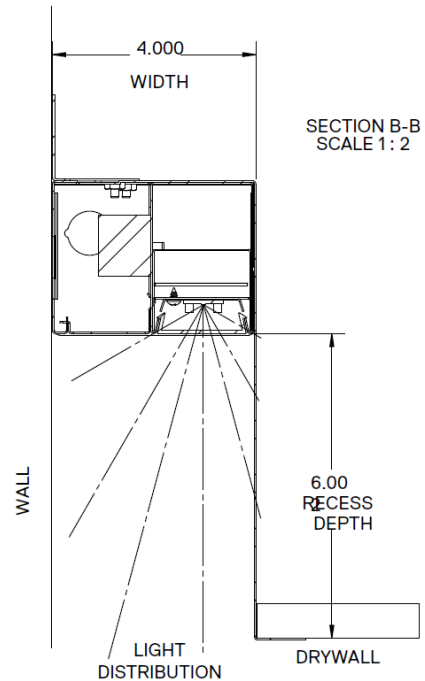
**Telescoping (T)** Provides up to 12" of additional illuminated section to accommodate variances in the built-in wall slot. Telescoping available on both ends of 4' and 8' luminaire sections. Adds a minimum of 1" per end to overall section length. Telescoping only available at one end of 2' and 3' luminaire sections. Adds a minimum of 2" to overall length of 2' sections and a minimum of 1" to overall length of 3' sections. Telescoping is standard with corners. Telescoping section must end at wall and be secured with bracket (provided).

#### 90 DEGREE CORNER:

Illuminated 90° inside and outside corners. Standard with telescoping sections. Tapered optics is standard with inside corners.

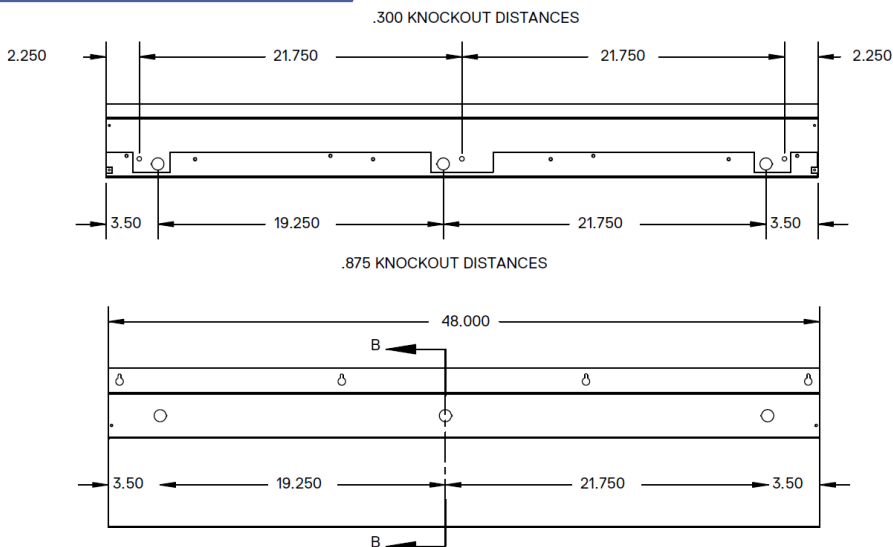
#### FEED:

Standard with one 18-gauge/5-conductor single-circuit feed. 14-gauge feed used when luminaire current exceeds 5 amps. Optional 6' flex conduit whips available. Dual knockouts (for dual flex conduit) are available at the top and rear feed locations. End caps have a single knockout and support a single flex conduit only.

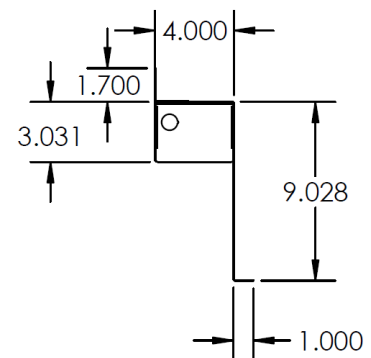


### DIMENSIONS

#### SIDE VIEW



#### END VIEW



Dimensions and specifications subject to change without notice.

