

APPLICATIONS

The Vista LED series of over bed luminaires is ideal for hospitals, long term care and assisted living facilities. It is available in 3' and 4' lengths in several finish combinations. Multiple light outputs, configurations and 0-10 volt dimming make this a great choice not only now but for potential upgrades later.

FEATURES & BENEFITS

- ◆ Applique and end caps available in several colors and finishes
- ◆ White acrylic diffuser
- ◆ Up/Down lighting optional
- ◆ 4 ft. - 5.21"H x 51.69"L x 6.36"W
- ◆ Min CRI 82
- ◆ 5 year warranty

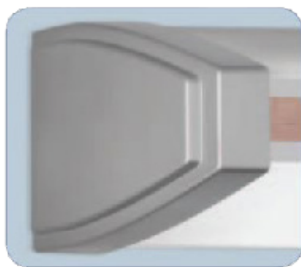


ORDERING DATA

EXAMPLE: OBVBNNRW36LED24DMV30

OBV		LED						
Series	End Cap Color	Length	Gear	Light Distribution	Wattage	Driver	Color Temp	
OBV Over Bed Vista Series	BN Brushed Nickel BZ Bronze SW Solid White WM White Marble	36 36" Nominal 48 48" Nominal	LED	Blank No Baffle 1U/1D Up/Down with Baffle	24 24 Watts 30 30 Watts 48 48 Watts 60 60 Watts	DMV 120-277V 0-10V Dimmable FIDMV 120-277V 0-10V Dimmable Factory Installed Dimming Leads SDMV 120-277V Step Dimmable	30 3000K 35 3500K 40 4000K 50 5000K	
Applique Color		Options						
NRW Nickel Rear Wood Center BRW Bronze Rear Wood Center SWO Solid White NRSW Nickel Rear Solid White Center		PS Pull Switch PS3 Pull Switch-3 Way EM 10 Watt Emergency NL Night Light						

END CAP COLOR



Brushed Nickel



Bronze



Solid White



White Marble

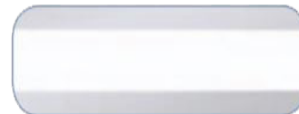
APPLIQUE COLOR



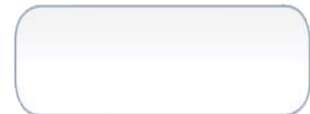
NRW-Nickel Rear/Wood Center



BRW - Bronze Rear/Wood Center



NRSW - Nickel Rear/
Solid White Center

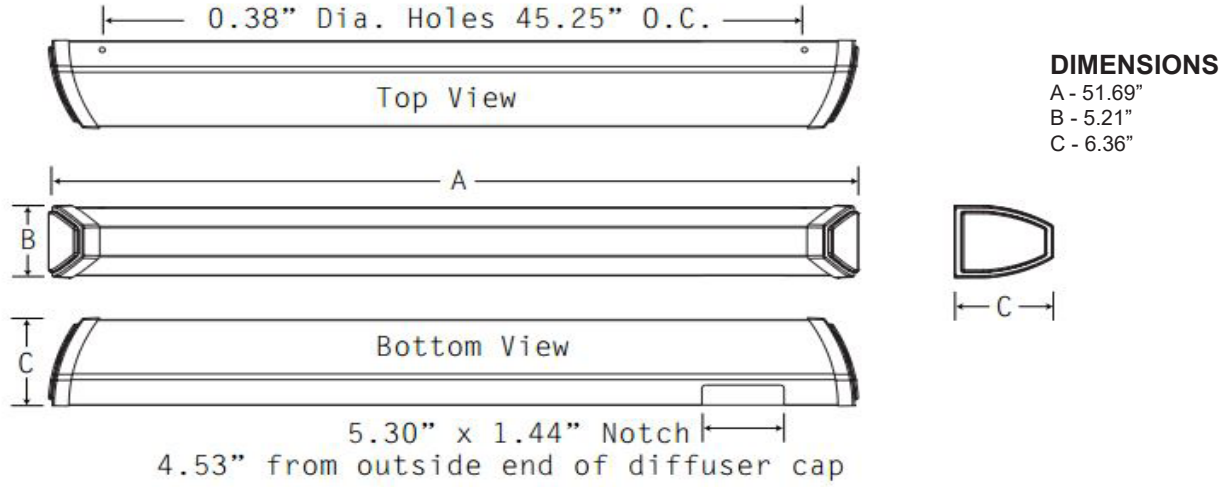


SWO - Solid White

Dimensions and specifications subject to change without notice.



DIMENSIONS



Dimensions and specifications subject to change without notice.



CAT#			
JOB NAME		TYPE	