

### APPLICATIONS

This square cylinder is ideal for outdoor locations, and is designed to operate in environments between -22°F to 104°F (-30°C to 40°C). It is wet location rated, and comes in a down light and an up/down light version.

### FEATURES & BENEFITS

- ◆ Min CRI 80
- ◆ Aluminum construction with white, black, or silver powder coated paint finish
- ◆ IP65 certified
- ◆ cCSA<sub>US</sub> listed for wet locations



Down Light



UP/Down Light



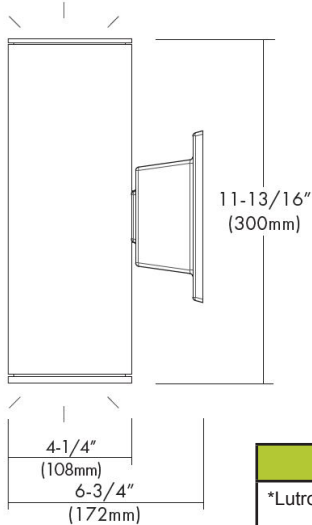
### ORDERING DATA

EXAMPLE: MWSCED4LEDD15D120BK827

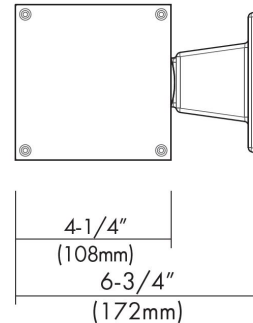
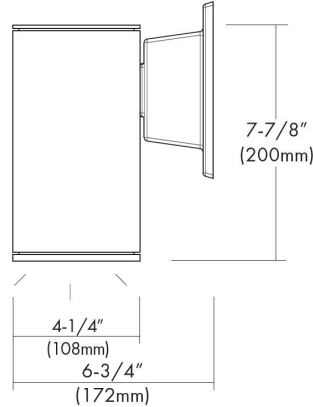
MWSCED	4	LED				D120		
Series	Size	Gear	Up-Light/Down-Light	Wattage/Lumens	Driver	Finish	Color Temp	
MWSCED	4 4 inches	LED	<b>D</b> Down Light <b>UD</b> Up Light/ Down Light	<b>Downlight Only</b> 15 15 Watts 1190 Lumens 20 20 Watts 1415 Lumens 30 30 Watts 2110 Lumens <b>Up and Down Light</b> 30 30 Watts 2380 Lumens 40 40 Watts 2830 Lumens 60 60 Watts 4220 Lumens	D120 120V Triac Dimmable	<b>BK</b> Black <b>SI</b> Silver <b>WH</b> White	<b>27</b> 2700K <b>30</b> 3000K <b>35</b> 3500K <b>40</b> 4000K <b>50</b> 5000K	

### DIMENSIONS

UP/Down Light



Down Light



#### 120V Approved Dimmers

- \*Lutron: Skylark S-600  
: MRF2-6DN-120  
: MACL-153M  
: DVLV-600P  
: SELV-300P  
: CTCL-153P  
: DVELV-303P  
: DVCL-153P
- \*Leviton: D600R, Acenti: Ate06, Trimatron #705W
- \*Cooper Devine incandescent dimmer 600W  
Pass&seymour harmony incandescent 600W

Dimensions and specifications subject to change without notice.



◆ 800-444-WATT ◆ www.mobern.com ◆

8200 Stayton Dr., Ste. 500, Jessup, MD 20794

CAT#	
JOB NAME	
TYPE	