

APPLICATIONS

The MWCTRS uplight only or downlight only turbine architectural wall cylinder provides up or down lighting with narrow, medium, and wide distributions. It is designed to replace HID lighting systems. Typical wall mounted lighting applications include retail centers, industrial parks, schools, universities, public transit, airports, office buildings, and medical facilities. Mounting heights of 8 to 16 feet can be used based on light level and uniformity requirements.

FEATURES & BENEFITS

- ◆ L₇₀ > 89000 hrs
- ◆ Min CRI 80
- ◆ IP65 Sealed LED compartment
- ◆ CSA listed for wet locations
- ◆ 5 year warranty for -40°C to +50°C Environment

SPECIFICATIONS

Housing is extruded round aluminum with built-in heat sinks, and features a powdercoat finish over a chromate conversion coating. The MWCTRS has a tempered clear flat glass lens, and a reflector with wide, medium, and narrow distribution options. Mount over a 4" recessed outlet box.

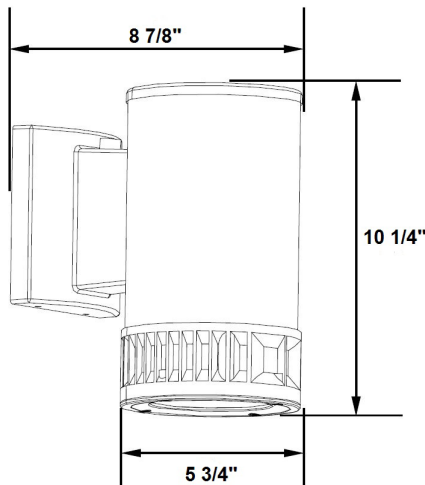


ORDERING DATA

EXAMPLE: MWCTRSALED20DMVBZ41

MWCTRS	LED		DMV		BZ		Options		
Series	Optics	Gear	Wattage	Driver	Finish	Color Temp			
MWCTRS Up Or Down Turbine LED Wall Cylinder	A 70° Reflector (Medium) B 100° Reflector (Wide) D 30° Reflector (Narrow)	LED	20 20 Watts	DMV 120-277VAC 0-10V Dimmable	BZ Bronze	41 4100K	SF Single Fuse DF Double Fuse SP Surge Protection PC 120VAC Photocell PC277 250-305VAC Photocell EM Emergency Battery Backup		

DIMENSIONS

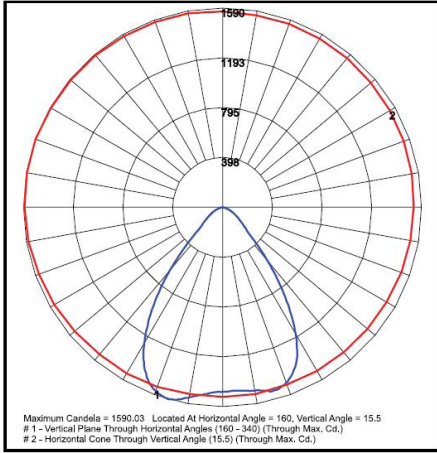


Dimensions and specifications subject to change without notice.

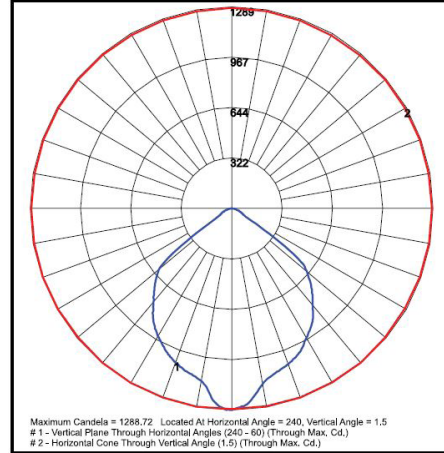


PHOTOMETRICS

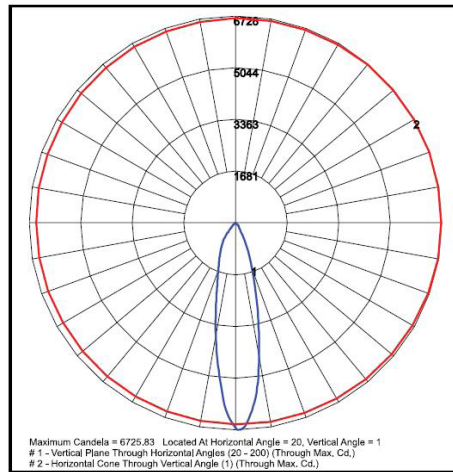
A Optics (2309 Lumens)



B Optics (2364 Lumens)



D Optics (2209 Lumens)



Dimensions and specifications subject to change without notice.



◆ 800-444-WATT ◆ www.mobern.com ◆
8200 Stayton Dr., Ste. 500, Jessup, MD 20794

CAT#	
JOB NAME	
TYPE	