

FEATURES & BENEFITS

- ◆ Available in black or white with clear, white, or frosted lenses
- ◆ Photocell available on select models
- ◆ Energy Star Listed on certain models
- ◆ Operating temperature -40°C to +40°C
- ◆ Molded of durable non-corrosive UV resistant resins
- ◆ Post top fits most 3 inch diameter posts (not included)
- ◆ 5 year warranty
- ◆ cUL_{us} listed for wet locations



MTOL
w/ Bevel Lens



MTO
w/ Femish
Lens



MTOL
w/ Femish
Lens



MTO
w/ Bevel Lens

ORDERING DATA

EXAMPLE: MTOL-LED13D120WHCF30

Series	Mount	Gear	Wattage / Lumens	Driver	Finish	Lens	Color Temp	Options
MTO	P Post Top L Wall Mount Long Tail	LED	13 13 Watts 1000 Lumens	D120 120V Triac Dimmable	WH White BK Black	WH White Bevel CF Clear Femish CL Clear Bevel FR Frosted Bevel	30 3000K 40 4000K	BF Brass Finial PC Photocell*

*Photocell Not Available on Post Top

ORDERING DATA FOR LED A LAMP

EXAMPLE: MTOINCLEDLDBKWH30

Series	Mount	Socket	Lamp Type (Optional) ¹	Finish	Lens	Color Temp (Optional) ²	Options
MTO	P Post Top L Wall Mount Long Tail	INC Incandescent	LED 9.5 watt A19/E26 120VAC 800 Lamp Lumens Triac Dimmable	WH White BK Black	WH White Bevel CF Clear Femish CL Clear Bevel FR Frosted Bevel	30 3000K 40 4000K	BF Brass Finial PC Photocell ³

¹Must include color temperature

²Must include LED Lamp Type

³Photocell Not Available on Post Top

Dimensions and specifications subject to change without notice.



800-444-WATT ♦ www.mobern.com ♦

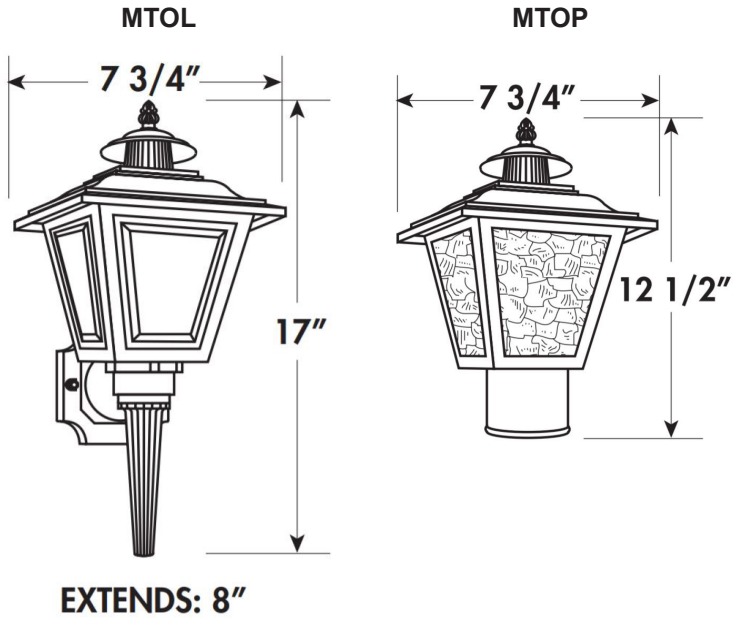
8200 Stayton Dr., Ste. 500, Jessup, MD 20794

CAT#

JOB NAME

TYPE

DIMENSIONS



Dimensions and specifications subject to change without notice.



◆ 800-444-WATT ◆ www.mobern.com ◆
8200 Stayton Dr., Ste. 500, Jessup, MD 20794

CAT#			
JOB NAME		TYPE	