

APPLICATIONS

Ideal for general site lighting landscape, sign and pathway lighting. Driver is located in isolated compartment for improved thermal management. Fully adjustable 1/2" NPT threaded knuckle. Suitable for wet locations.

FEATURES & BENEFITS

- ◆ CREE CXA Series LED
- ◆ Available in 3000K and 5000K color temperatures
- ◆ Fluted reflector for consistent light distribution
- ◆ Universal 100VAC-277VAC voltage
- ◆ 85% driver efficiency; power factor ≥0.9; CRI >70
- ◆ 50,000 hour rated lamp life
- ◆ Spike and circular base mount options available
- ◆ Die-cast aluminum housing with durable dark bronze powder coat finish
- ◆ Tempered glass lens with seamless silicone gasket

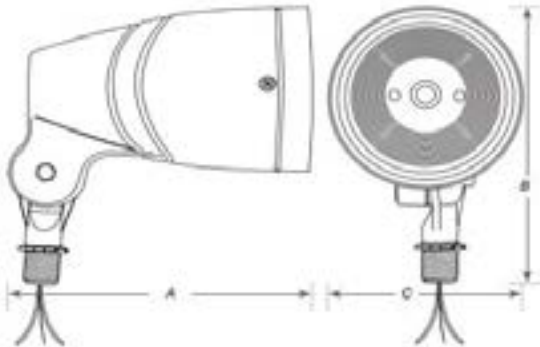


LISTINGS & RATINGS:

- Tested to UL1598, UL8750 & IEC60598 safety standards
- 5 year warranty on all electronics and housing
- cULus Listed for wet locations (-20°C - 40°C)
- IP65 rated

ORDERING DATA

MODEL	WATTAGE / LUMENS	# LEDs	DIMENSIONS	OPTIONS
MSL-LED12MV30BZ	12 12W 800 Lumens	1	6 5/8" x 6 7/8" x 4"	MSL-LEDSL-BS Spike Mount MSL LED-CNY-KIT Canopy Mount
MSL-LED12MV50BZ	12 12W 800 Lumens	1	6 5/8" x 6 7/8" x 4"	
MSL-LED30MV30BZ	30 30W 2500 Lumens	1	8 1/4" x 7 3/4" x 5 1/8"	
MSL-LED30MV50BZ	30 30W 2687 Lumens	1	8 1/4" x 7 3/4" x 5 1/8"	



MSL-LEDSL-BS
Spike Mount



MSL LED-CNY-KIT
Canopy Mount



Dimensions and specifications subject to change without notice.

CAT#	
JOB NAME	TYPE