

### FEATURES & BENEFITS

- ◆ Molded of durable non-corrosive UV resistant resins
- ◆ Available in black, bronze or white finish
- ◆ <sup>C</sup>UL<sub>US</sub> listed for damp location
- ◆ 5 year warranty

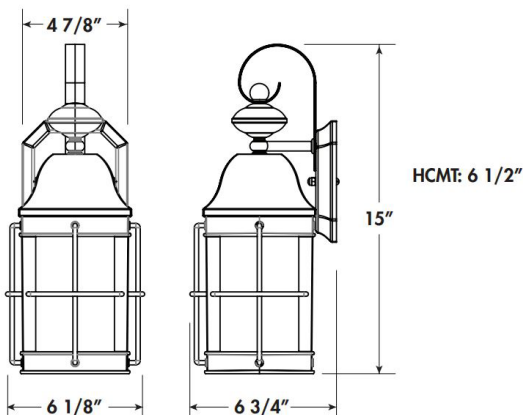


### ORDERING DATA

EXAMPLE: MSCW113GUBKFR

MSC		GU						
Series	Mounting	Lamping		Socket	Finish	Lens	Lamp	
<b>MSC</b>	<b>W</b> Wall mount	<b>113</b>	1-13W GU24	<b>GU</b>	120V Electronic GU24 Base	<b>BK</b> Black	<b>FR</b> Frosted	<b>Blank</b> No Lamp
		<b>118</b>	1-18W GU24			<b>WH</b> White		<b>L</b> Lamp included (2700K)
		<b>123</b>	1-23W GU24			<b>BZ</b> Bronze		

### DIMENSIONS



Dimensions and specifications subject to change without notice.



◆ 800-444-WATT ◆ www.mobern.com ◆  
8200 Stayton Dr., Ste. 500, Jessup, MD 20794

CAT#

JOB NAME

TYPE