

FEATURES & BENEFITS

- ◆ Molded of durable non-corrosive UV resistant resins
- ◆ Available in black, bronze or white finish
- ◆ ^CUL_{US} listed for damp location
- ◆ L70 > 50000 hrs
- ◆ 5 year warranty
- ◆ Ambient operating temp -40°c to +40°c



ORDERING DATA

EXAMPLE: MSCW-LED13BKFR30

Series	Mounting	Gear	Wattage/Lumens	Finish	Lens	Color Temp	Option
MSC Stage Coach Fixture	W Wall mount	LED	13 13 watts 1000 Lumens	BK Black BZ Bronze WH White	FR Frosted	30 3000K 40 4000K	PC Photocell

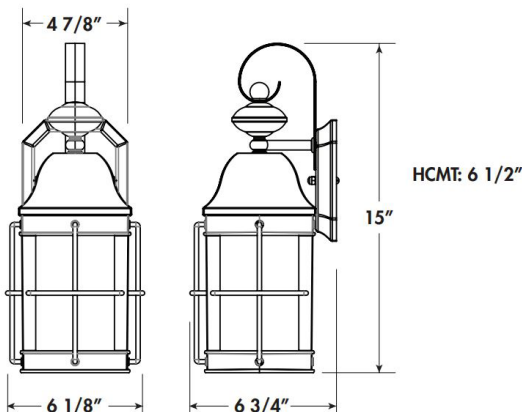
INC ORDERING DATA

EXAMPLE: MSCWINC-LEDWHFR30

Series	Mounting	Socket	Lamp Type*	Finish	Lens Shape	Color Temp*	Options
MSC Stage Coach Fixture	W Wall mount	INC Incandescent	LED 9.5 watt A19/E26 120VAC 800 lamp lumens triac dimnable	WH White BK Black BZ Bronze	FR Frosted	30 3000K 40 4000K	PC Photocell

*Include only when ordering with lamp

DIMENSIONS



Dimensions and specifications subject to change without notice.



◆ 800-444-WATT ◆ www.mobern.com ◆
8200 Stayton Dr., Ste. 500, Jessup, MD 20794

CAT#

JOB NAME

TYPE