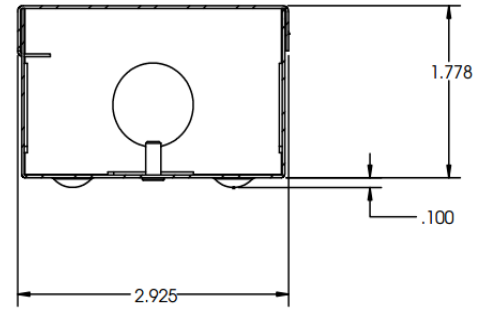
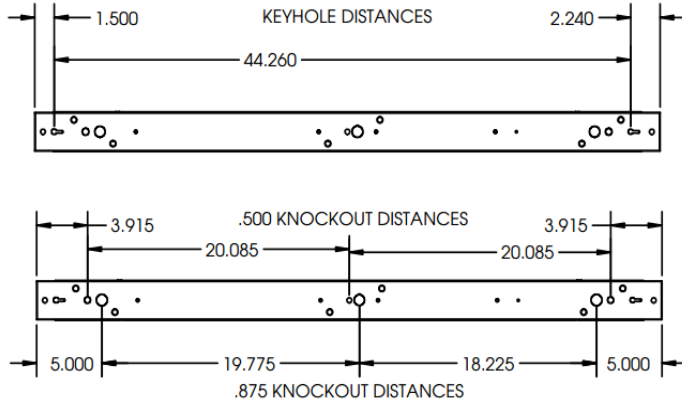


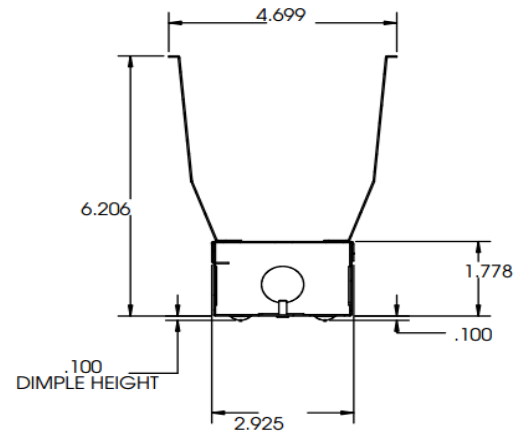
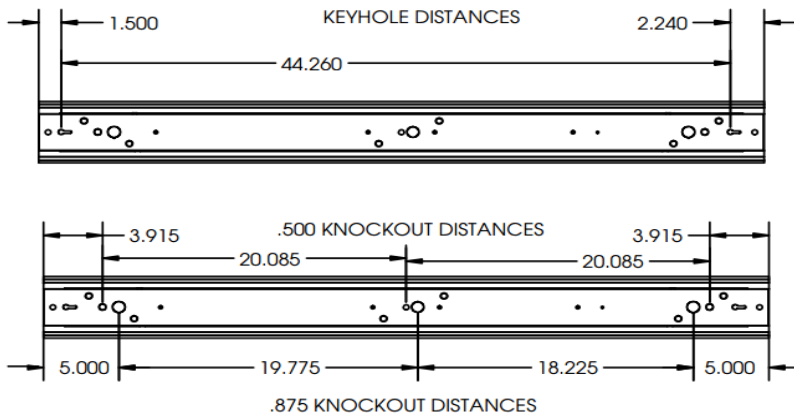


### DIMENSIONS

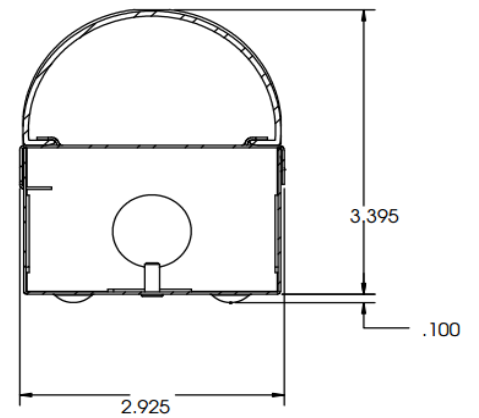
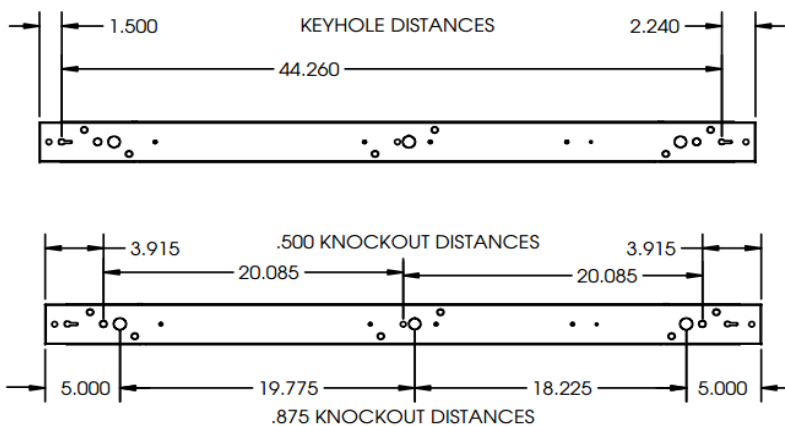
#### Open Strip



#### Reflector



#### Lens



Dimensions and specifications subject to change without notice.

