

### APPLICATIONS

This round high bay fixture easily replaces most HID, induction, and fluorescent high bay fixtures. The MRHB incorporates a lens that contains microsphere technology giving it a unique glare reducing aesthetic while also producing highly efficient distribution. The fixture is available in two wattages, 120 and 210 Watts, that provide a minimum of 127 Lumens per Watt. The aluminum housing design allows for great heat dissipation and LED performance.

### FEATURES & BENEFITS

- ◆ Microsphere technology reflector (FR)
- ◆ 120-277VAC Input
- ◆ 0-10V Dimmable
- ◆ IP65 Rated
- ◆ UL listed for wet locations
- ◆ Aluminum base/heat sink
- ◆  $L_{70} \geq 50,000$ hrs

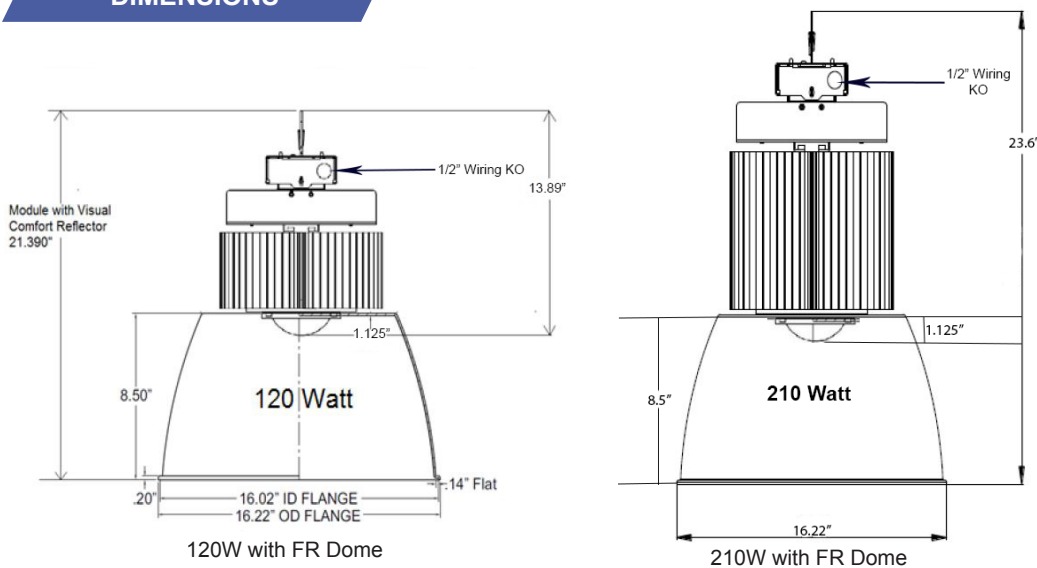


### ORDERING DATA

EXAMPLE: MRHB-LED120DMV50FR

MRHB	LED	Wattage & Lumens		DMV	50	Dome Type	Lens
Series	Gear			Driver	Color Temp		
MRHB	LED	120	120 Watts 14825 Lumens	DMV	50	NR	No Lens
		210	210 Watts 26809 Lumens			FR	Clear Flat
						WH	White Flat
							Clear Convex
						CL	Frosted Convex

### DIMENSIONS



DLC Listed
MRHBLED120DMV50FR
MRHBLED210DMV50FR

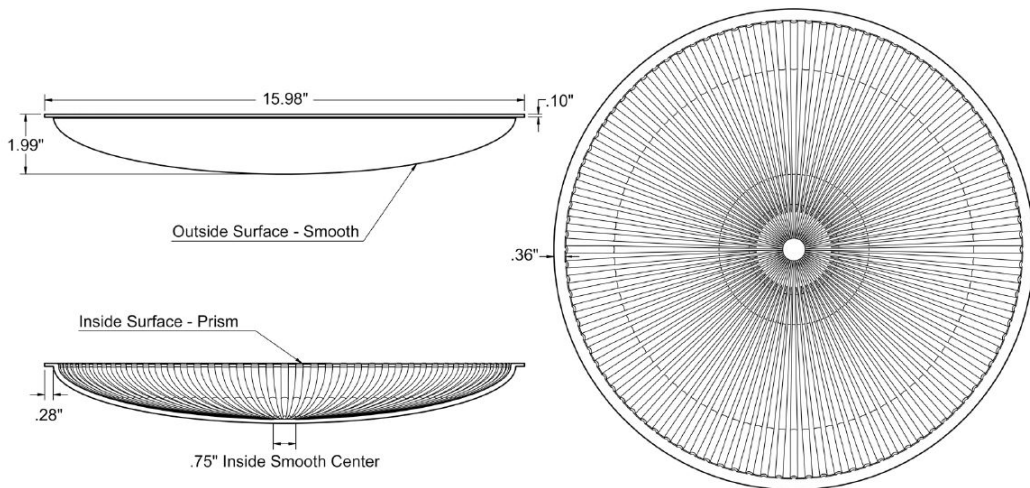
Dimensions and specifications subject to change without notice.



◆ 800-444-WATT ◆ www.mobern.com ◆  
8200 Stayton Dr., Ste. 500, Jessup, MD 20794

CAT#	
JOB NAME	TYPE

**DOME/LENS OPTIONS**



Dimensions and specifications subject to change without notice.