

**FEATURES & BENEFITS**

- ◆ UL/cUL Listed for wet location
- ◆ Molded of durable non-corrosive UV resistant resins
- ◆ Fits most 3" diameter posts
- ◆ UL listed for wet locations



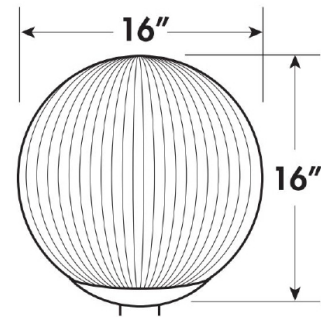
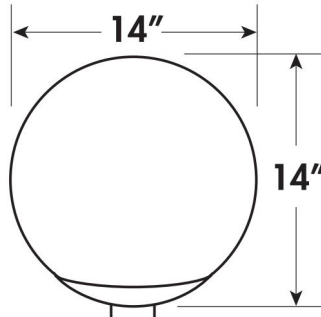
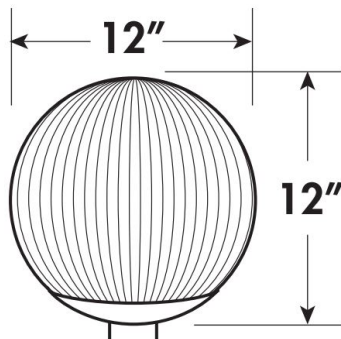
**ORDERING DATA**

**EXAMPLE: MNG113GUBKCL**

MNG						
Series	Size	Socket		Finish	Lens	Lamp
MNG	12* 12"	113GU	1-13W GU24	BK Black	CL Clear	Blank No Lamp
Outdoor	14** 14"	118GU	1-18W GU24	WH White	WH White	L Lamp included (2700K)
Neckless	16** 16"	123GU	1-23W GU24			
Globe Post		126GU	1-26W GU24			
Top		132GU	1-32W GU24			
		142GU	1-42W GU24			

\* Suitable for bulbs up to 100 watts  
 \*\* Suitable for bulbs up to 150 watts

**DIMENSIONS**



Dimensions and specifications subject to change without notice.

CAT#	
JOB NAME	TYPE