

FEATURES & BENEFITS

- ◆ UL/cUL Listed for wet location
- ◆ Molded of durable non-corrosive UV resistant resins
- ◆ Fits most 3" diameter posts
- ◆ UL listed for wet locations



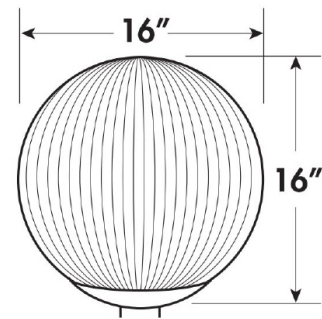
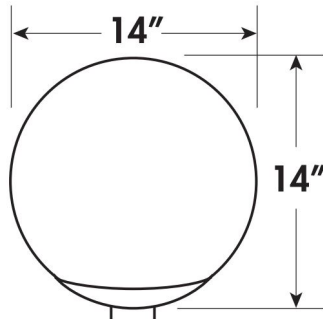
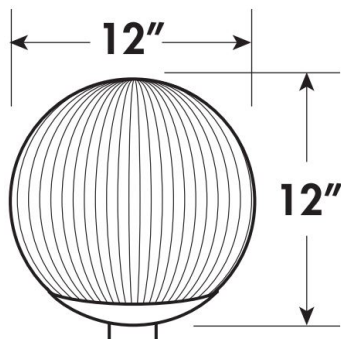
ORDERING DATA

EXAMPLE: MNGP12-INCLEDWHCP40

Series	Mounting	Size	Socket	Lamp Type (optional)	Finish	Lens	Color Temp (Optional)
MNG LED Outdoor Neckless Globe Post Top	P Post Top	12* 12" 14** 14" 16** 16"	INC Incandescent	LED 9.5 watt A19/E26 120VAC 800 Lamp Lumens Triac Dimmable	BK Black WH White	CP Clear Prism W White	40 4000K

* Suitable for bulbs up to 100 watts
** Suitable for bulbs up to 150 watts

DIMENSIONS



Dimensions and specifications subject to change without notice.

CAT#			
JOB NAME		TYPE	